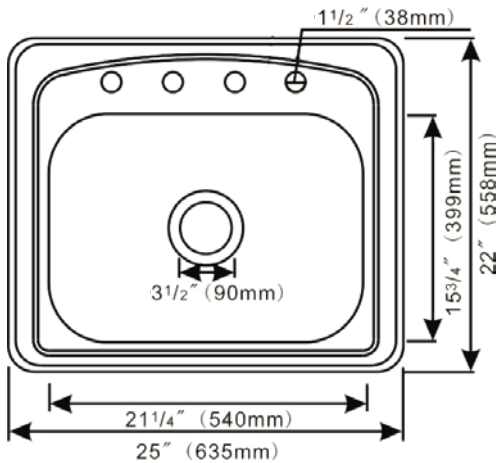




2017 SPEC BOOK

Stainless Steel Kitchen Sink

Top-Mount Single Bowl



Model	Depth	Gauge	Hole
482-6168	8 1/2"	20G	4

25" x 22" Top-Mount Single Bowl

FEATURES

- * Premium Grade 304 Stainless Steel
- * 8 1/2" Depth * 20 Gauge
- * Lustrous Satin
- * 3 1/2" Drain Opening
- * Fully Coated Underneath with Heavy Duty Sound Deadening Pad
- * Includes 8 U-Channel Clips and Instructions
- * Cutout Template on Box (DXF file Available)
- * Limited Lifetime Warranty

Optional Accessories



Basket Strainers



Deep Cup Basket Strainers



Garbage Disposal Flange & Stopper

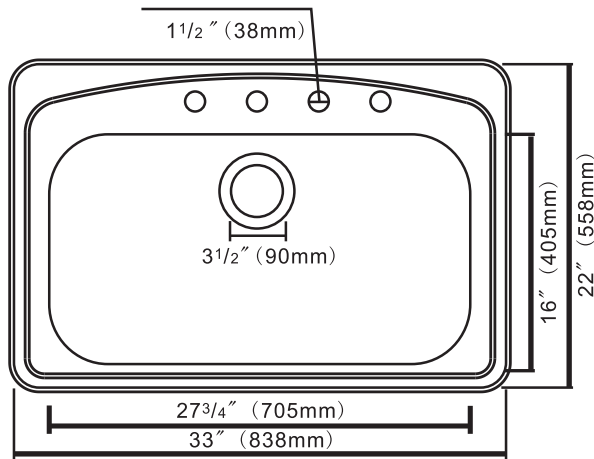


Soap Dispensers

Project / Job Name			
Architect / Engineer			
Contractor			
Model		Qty	
Notes :			

Stainless Steel Kitchen Sink

Top-Mount Single Bowl



Model	Depth	Gauge	Hole
482-6169	8 1/2"	20G	4

33" x 22" Top-Mount Single Bowl

FEATURES

- * Premium Grade 304 Stainless Steel
- * 8 1/2" Depth * 20 Gauge
- * Lustrous Satin
- * 3 1/2" Drain Opening
- * Fully Coated Underneath with Heavy Duty Sound Deadening Pad
- * Includes 10 U-Channel Clips and Instructions
- * Cutout Template on Box (DXF file Available)
- * Limited Lifetime Warranty

Optional Accessories



Basket Strainers



Deep Cup Basket Strainers

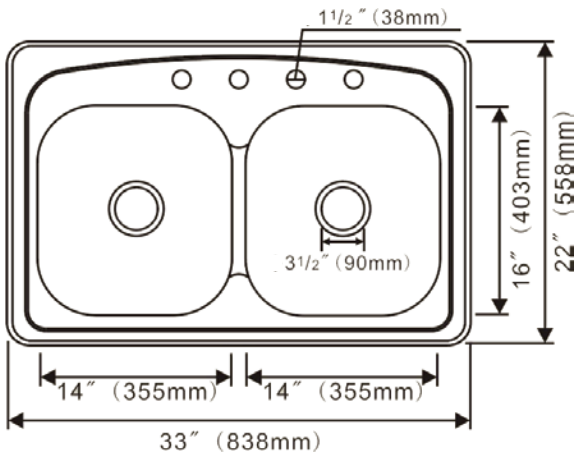


Soap Dispensers

Project / Job Name			
Architect / Engineer			
Contractor			
Model		Qty	
Notes :			

Stainless Steel Kitchen Sink

Top-Mount Double Bowl



Model	Depth	Gauge	Hole
482-6170	8½"	20G	4

33" x 22" Top-Mount Double Bowl

FEATURES

- * Premium Grade 304 Stainless Steel
- * 8½" Depth * 20 Gauge
- * Lustrous Satin
- * 3½ Drain Opening
- * Fully Coated Underneath with Heavy Duty Sound Deadening Pads
- * 10 U-Channel Clips and Instructions
- * Cutout Template on Box (DXF file Available)
- * Limited Lifetime Warranty

Optional Accessories



Basket Strainers



Deep Cup Basket Strainers



Garbage Disposal Flange & Stopper

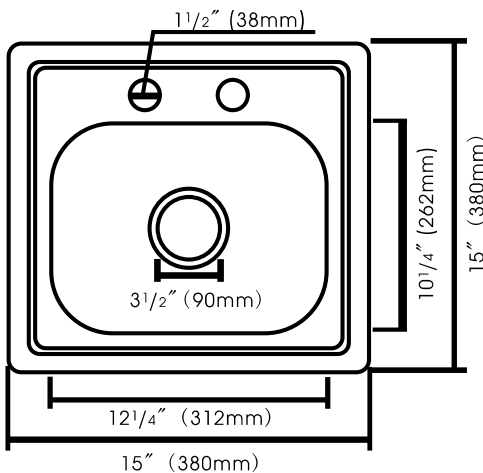


Soap Dispensers

Project / Job Name			
Architect / Engineer			
Contractor			
Model		Q'ty	
Notes :			

Stainless Steel Kitchen Sink

Top-Mount Single Bowl



Model	Depth	Gauge	Hole
004-136	6"	22G	2
481-5477	8"	22G	2

15" x 15" Top-Mount Single Bowl

FEATURES

- * Premium Grade 304 Stainless Steel
- * 6" Depth * 22 Gauge
- * 8" Depth * 22 Gauge
- * Lustrous Satin
- * 3½ Drain Opening
- * Fully Coated Underneath with Heavy Duty Sound Deadening Pad
- * Supplied with Fasteners and Instructions
- * Cutout Template on Box
- * Limited Lifetime Warranty

Project / Job Name			
Architect / Engineer			
Contractor			
Model		Qty	
Notes :			

Optional Accessories



Basket Strainers



Deep Cup Basket Strainers



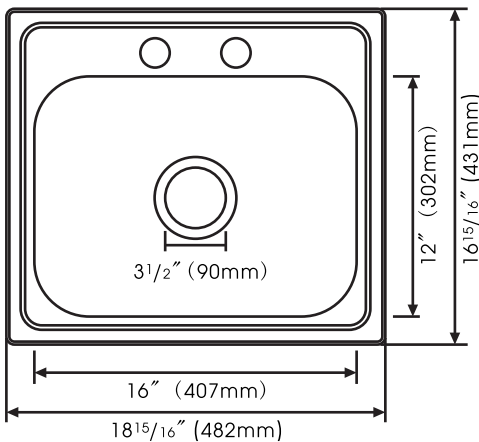
Garbage Disposal Flange & Stopper



Soap Dispensers

Stainless Steel Kitchen Sink

Top-Mount Single Bowl



Model	Depth	Gauge	Hole
482-6121	8"	20G	2

19" x 17" Top-Mount Single Bowl

FEATURES

- * Premium Grade 304 Stainless Steel
- * 8 Depth * 20 Gauge
- * Lustrous Satin
- * 3 1/2 Drain Opening
- * Fully Coated Underneath with Heavy Duty Sound Deadening Pad
- * Supplied with Fasteners and Instructions
- * Cutout Template on Box
- * Limited Lifetime Warranty

Optional Accessories



Basket Strainers



Deep Cup Basket Strainers



Garbage Disposal Flange & Stopper

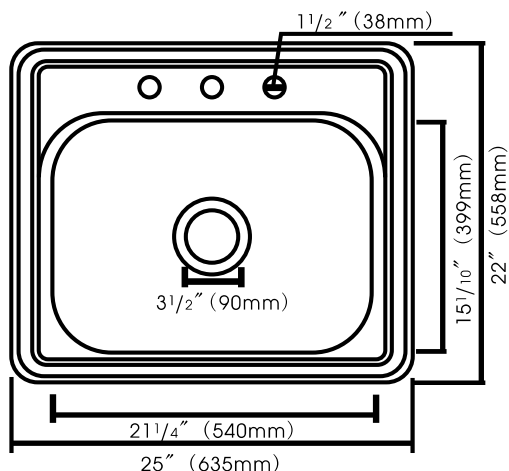


Soap Dispensers

Project / Job Name			
Architect / Engineer			
Contractor			
Model		Qty	
Notes :			

Stainless Steel Kitchen Sink

Top-Mount Single Bowl



Model	Depth	Gauge	Hole
481-2967	8"	22G	3

25" x 22" Top-Mount Single Bowl

FEATURES

- * Premium Grade 304 Stainless Steel
- * 8" Depth * 22 Gauge
- * Lustrous Satin
- * 3 1/2" Drain Opening
- * Fully Coated Underneath with Heavy Duty Sound Deadening Pad
- * Supplied with Fasteners and Instructions
- * Cutout Template on Box
- * Limited Lifetime Warranty

Project / Job Name			
Architect / Engineer			
Contractor			
Model		Qty	
Notes :			

Optional Accessories



Basket Strainers



Deep Cup Basket Strainers



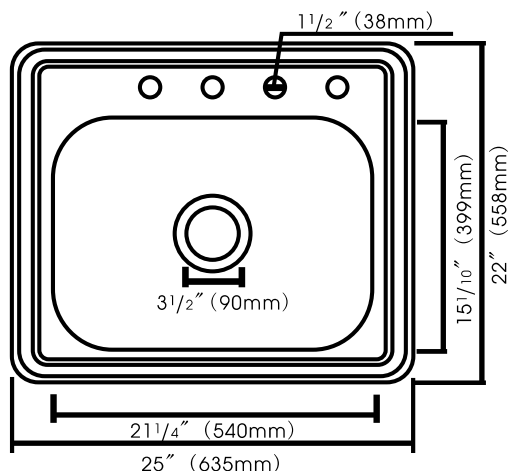
Garbage Disposal Flange & Stopper



Soap Dispensers

Stainless Steel Kitchen Sink

Top-Mount Single Bowl



Model	Depth	Gauge	Hole
003-525	6"	23G	4
481-5441	8"	22G	4
481-6936	10"	20G	4

25" x 22" Top-Mount Single Bowl

FEATURES

- * Premium Grade 304 Stainless Steel
- * 6" Depth * 23 Gauge
- * 8" Depth * 22 Gauge
- * 10" Depth * 20 Gauge
- * Lustrous Satin
- * 3 1/2" Drain Opening
- * Fully Coated Underneath with Heavy Duty Sound Deadening Pad
- * Supplied with Fasteners and Instructions
- * Cutout Template on Box
- * Limited Lifetime Warranty

Project / Job Name			
Architect / Engineer			
Contractor			
Model		Qty	
Notes :			

Optional Accessories



Basket Strainers



Deep Cup Basket Strainers



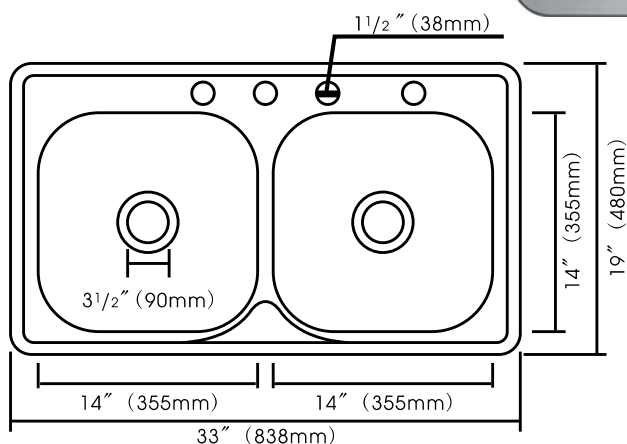
Garbage Disposal Flange & Stopper



Soap Dispensers

Stainless Steel Kitchen Sink

Top-Mount Double Bowl



Model	Depth	Gauge	Hole
004-632	6"	23G	4
006-052	7"	22G	4
006-780	8"	22G	4

33" x 19" Top-Mount 50/50 Double Bowl

FEATURES

- * Premium Grade 304 Stainless Steel
- * 6" Depth * 23 Gauge
- * 7" Depth * 22 Gauge
- * 8" Depth * 22 Gauge
- * Lustrous Satin
- * 3 1/2" Drain Opening
- * Fully Coated Underneath with Heavy Duty Sound Deadening Pads
- * Supplied with Fasteners and Instructions
- * Cutout Template on Box
- * Limited Lifetime Warranty

Project / Job Name			
Architect / Engineer			
Contractor			
Model		Qty	
Notes :			

Optional Accessories



Basket Strainers



Deep Cup Basket Strainers



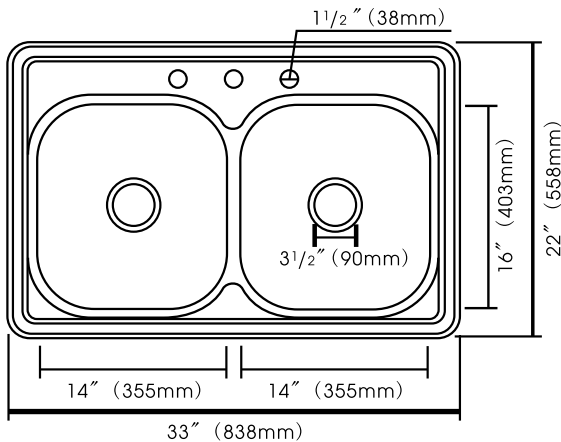
Garbage Disposal Flange & Stopper



Soap Dispensers

Stainless Steel Kitchen Sink

Top-Mount Double Bowl



Model	Depth	Gauge	Hole
481-1338	6"	23G	3
482-6122	7"	22G	3
481-0531	8"	20G	3

33" x 22" Top-Mount 50/50 Double Bowl

FEATURES

- * Premium Grade 304 Stainless Steel
- * 6" Depth * 23 Gauge
- * 7" Depth * 22 Gauge
- * 8" Depth * 20 Gauge
- * Lustrous Satin
- * 3 1/2" Drain Opening
- * Fully Coated Underneath with Heavy Duty Sound Deadening Pads
- * Supplied with Fasteners and Instructions
- * Cutout Template on Box
- * Limited Lifetime Warranty

Project / Job Name			
Architect / Engineer			
Contractor			
Model		Qty	
Notes :			

Optional Accessories



Basket Strainers



Deep Cup Basket Strainers



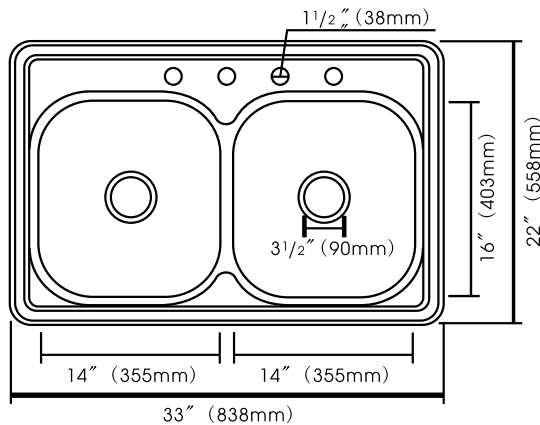
Garbage Disposal Flange & Stopper



Soap Dispensers

Stainless Steel Kitchen Sink

Top-Mount Double Bowl



Model	Depth	Gauge	Hole
003-513	6"	23G	4
481-5475	7"	22G	4
481-5476	8"	20G	4

33" x 22" Top-Mount 50/50 Double Bowl

FEATURES

- * Premium Grade 304 Stainless Steel
- * 6" Depth * 23 Gauge
- * 7" Depth * 22 Gauge
- * 8" Depth * 20 Gauge
- * Lustrous Satin
- * 3 1/2" Drain Opening
- * Fully Coated Underneath with Heavy Duty Sound Deadening Pads
- * Supplied with Fasteners and Instructions
- * Cutout Template on Box
- * Limited Lifetime Warranty

Optional Accessories



Basket Strainers



Deep Cup Basket Strainers



Garbage Disposal Flange & Stopper

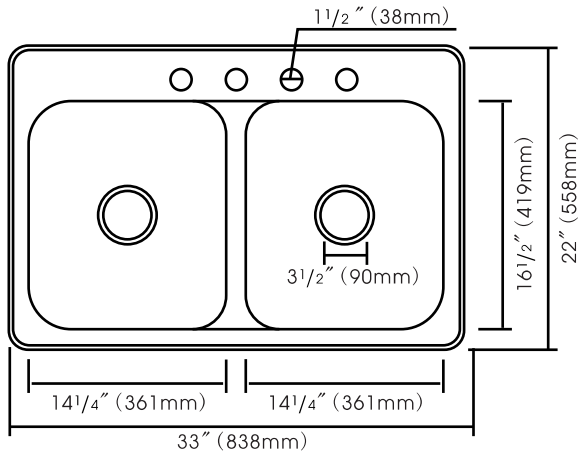


Soap Dispensers

Project / Job Name			
Architect / Engineer			
Contractor			
Model		Qty	
Notes :			

Stainless Steel Kitchen Sink

Smooth Edge Double Bowl



Model	Depth	Gauge	Hole
481-6881	8-1/2"	18G	4

33" x 22" Low Divide Top-Mount 50/50 Double Bowl

FEATURES

- * Premium Grade 304 Stainless Steel
- * 8 1/2" Depth * 18 Gauge
- * Lustrous Satin
- * 3 1/2" Drain Opening
- * Fully Coated Underneath with Heavy Duty Sound Deadening Pads
- * Supplied with Fasteners and Instructions
- * Cutout Template on Box
- * Limited Lifetime Warranty

Project / Job Name			
Architect / Engineer			
Contractor			
Model		Qty	
Notes :			

Optional Accessories



Basket Strainers



Deep Cup Basket Strainers



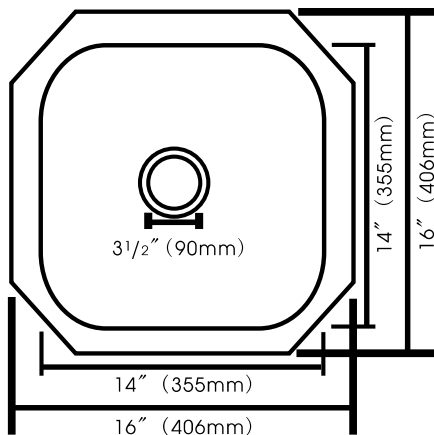
Garbage Disposal Flange & Stopper



Soap Dispensers

Stainless Steel Kitchen Sink

Under-Mount Single Bowl



Model	Depth	Gauge
481-0605	8"	18G

16" x 16" Under-Mount Single Bowl

FEATURES

- * Premium Grade 304 Stainless Steel
- * 8" Depth * 18 Gauge
- * Lustrous Satin
- * Highlighted Rim
- * 3 1/2" Drain Opening
- * Fully Coated Underneath with Heavy Duty Sound Deadening Pad
- * Supplied with Fasteners and Instructions
- * Cutout Template (DXF File Available)
- * Limited Lifetime Warranty

Project / Job Name			
Architect / Engineer			
Contractor			
Model		Qty	
Notes :			

Optional Accessories



Basket Strainers



Deep Cup Basket Strainers



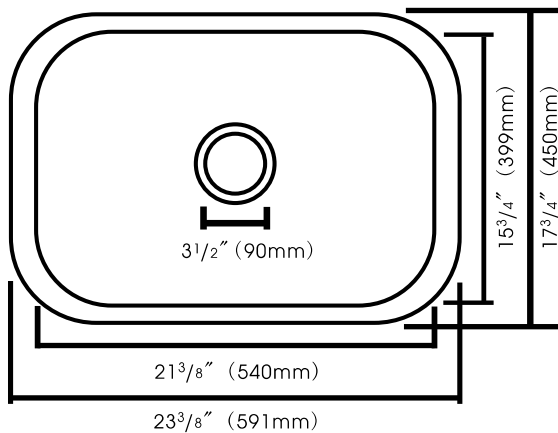
Garbage Disposal Flange & Stopper



Soap Dispensers

Stainless Steel Kitchen Sink

Under-Mount Single Bowl



Model	Depth	Gauge
481-6058	9"	18G

23" x 17" Under-Mount Single Bowl

FEATURES

- * Premium Grade 304 Stainless Steel
- * 9" Depth * 18 Gauge
- * Lustrous Satin
- * Highlighted Rim
- * 3 1/2" Drain Opening
- * Fully Coated Underneath with Heavy Duty Sound Deadening Pad
- * Supplied with Fasteners and Instructions
- * Cutout Template (DXF File Available)
- * Limited Lifetime Warranty

Project / Job Name			
Architect / Engineer			
Contractor			
Model		Qty	
Notes :			

Optional Accessories



Basket Strainers



Deep Cup Basket Strainers



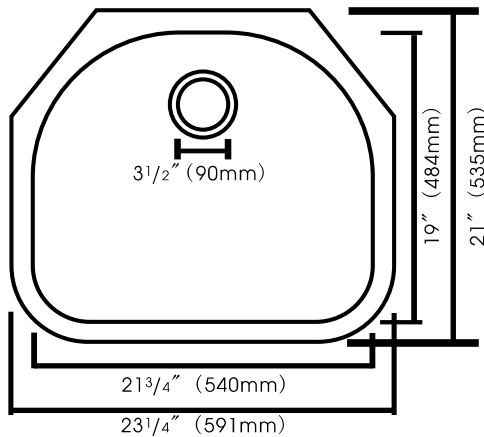
Garbage Disposal Flange & Stopper



Soap Dispensers

Stainless Steel Kitchen Sink

Under-Mount Single Bowl



Model	Depth	Gauge
481-0588	9"	18G

23" x 21" Under-Mount Single Bowl

FEATURES

- * Premium Grade 304 Stainless Steel
- * 9" Depth * 18 Gauge
- * Lustrous Satin
- * Highlighted Rim
- * 3 1/2" Drain Opening
- * Fully Coated Underneath with Heavy Duty Sound Deadening Pad
- * Supplied with Fasteners and Instructions
- * Cutout Template (DXF File Available)
- * Limited Lifetime Warranty

Project / Job Name			
Architect / Engineer			
Contractor			
Model		Qty	
Notes :			

Optional Accessories



Basket Strainers



Deep Cup Basket Strainers



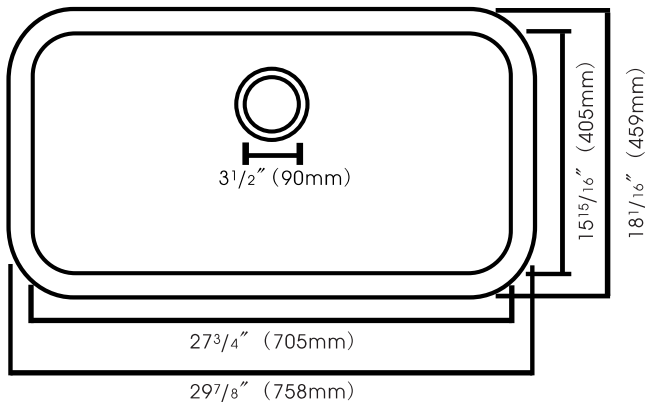
Garbage Disposal Flange & Stopper



Soap Dispensers

Stainless Steel Kitchen Sink

Under-Mount Single Bowl



Model	Depth	Gauge
481-1422	9"	18G

30" x 18" Under-Mount Single Bowl

FEATURES

- * Premium Grade 304 Stainless Steel
- * 9" Depth * 18 Gauge
- * Lustrous Satin
- * Highlighted Rim
- * 3 1/2" Drain Opening
- * Fully Coated Underneath with Heavy Duty Sound Deadening Pad
- * Supplied with Fasteners and Instructions
- * Cutout Template (DXF File Available)
- * Limited Lifetime Warranty

Optional Accessories



Basket Strainers



Deep Cup Basket Strainers



Garbage Disposal Flange & Stopper

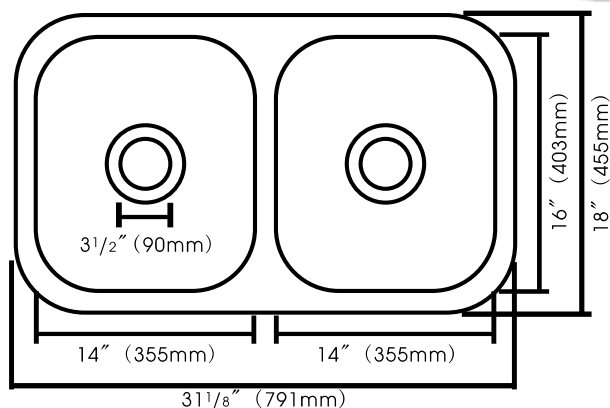


Soap Dispensers

Project / Job Name			
Architect / Engineer			
Contractor			
Model		Qty	
Notes :			

Stainless Steel Kitchen Sink

Under-Mount Double Bowl



Model	Depth	Gauge
481-0590	9"	18G

31" x 18" Under-Mount 50/50 Double Bowl

FEATURES

- * Premium Grade 304 Stainless Steel
- * 9" Depth * 18 Gauge
- * Lustrous Satin
- * Highlighted Rim
- * 3 1/2" Drain Opening
- * Fully Coated Underneath with Heavy Duty Sound Deadening Pads
- * Supplied with Fasteners and Instructions
- * Cutout Template (DXF File Available)
- * Limited Lifetime Warranty

Project / Job Name			
Architect / Engineer			
Contractor			
Model		Qty	
Notes :			

Optional Accessories



Basket Strainers



Deep Cup Basket Strainers



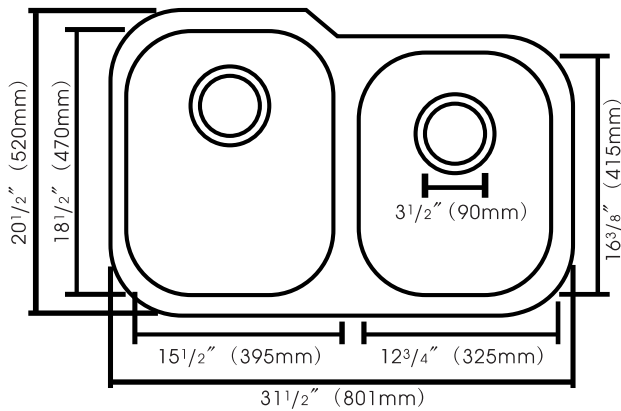
Garbage Disposal Flange & Stopper



Soap Dispensers

Stainless Steel Kitchen Sink

Under-Mount Double Bowl



Model	Depth	Gauge
481-0582	9" B-L 7 1/2" S-R	18G
481-0608	9" B-R 7 1/2" S-L	18G

31" x 20" Under-Mount 60/40 Double Bowl

FEATURES

- * Premium Grade 304 Stainless Steel
- * 9" Big Bowl / 7 1/2" Small Bowl Depth * 18 Gauge
- * Big Bowl Available on Left or Right
- * Lustrous Satin
- * Highlighted Rim
- * 3 1/2" Drain Opening
- * Fully Coated Underneath with Heavy Duty Sound Deadening Pads
- * Supplied with Fasteners and Instructions
- * Cutout Template (DXF File Available)
- * Limited Lifetime Warranty

Project / Job Name			
Architect / Engineer			
Contractor			
Model		Qty	
Notes :			

Optional Accessories



Basket Strainers



Deep Cup Basket Strainers



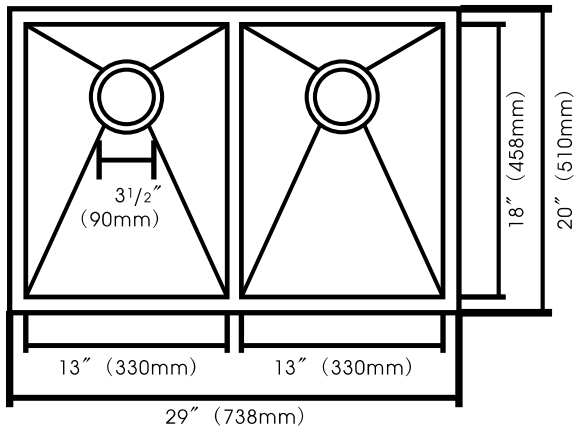
Garbage Disposal Flange & Stopper



Soap Dispensers

Stainless Steel Kitchen Sink

90 Degree Under-Mount Farm Sink without Apron



Model	Depth	Gauge
481-6886	10"	18G

29" x 20" 90 Degree 50/50 Double Bowl Sink

FEATURES

- * Premium Grade 304 Stainless Steel
- * 10" Depth * 18 Gauge
- * Lustrous Soft Brush Satin Finish
- * 3 1/2" Drain Opening
- * Fully Coated Underneath with Heavy Duty Sound Deadening Pads
- * Includes 10 Fasteners and Instructions
- * Cutout Template (DXF File Available)
- * Limited Lifetime Warranty

Optional Accessories



Basket Strainers



Deep Cup Basket Strainers



Garbage Disposal Flange & Stopper

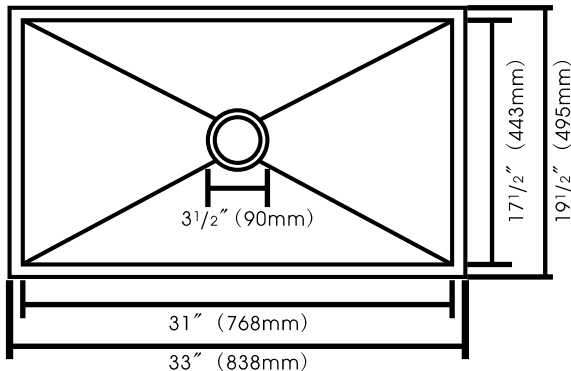


Soap Dispensers

Project / Job Name			
Architect / Engineer			
Contractor			
Model		Qty	
Notes :			

Stainless Steel Kitchen Sink

90 Degree Under-Mount Farm Sink without Apron



Model	Depth	Gauge
482-0253	10"	18G

33" x 19" 90 Degree Single Bowl Sink

FEATURES

- * Premium Grade 304 Stainless Steel
- * 10" Depth * 18 Gauge
- * Lustrous Soft Brush Satin Finish
- * 3 1/2" Drain Opening
- * Fully Coated Underneath with Heavy Duty Sound Deadening Pad
- * Includes 10 Fasteners and Instructions
- * Cutout Template (DXF File Available)
- * Limited Lifetime Warranty

Project / Job Name			
Architect / Engineer			
Contractor			
Model		Qty	
Notes :			

Optional Accessories



Basket Strainers



Deep Cup Basket Strainers



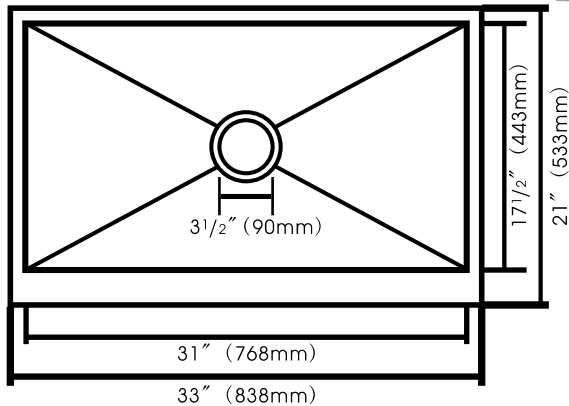
Garbage Disposal Flange & Stopper



Soap Dispensers

Stainless Steel Kitchen Sink

90 Degree Under-Mount Farm Sink with Apron



Model	Depth	Gauge
481-6889	10"	16G

33" x 21" 90 Degree Single Bowl Apron Farm Sink

FEATURES

- * Premium Grade 304 Stainless Steel
- * 10" Depth * 16 Gauge
- * Lustrous Soft Brush Satin Finish
- * 3 1/2" Drain Opening
- * Fully Coated Underneath with Heavy Duty Sound Deadening Pad
- * Includes 10 Fasteners and Instructions
- * Cutout Template (DXF File Available)
- * Limited Lifetime Warranty

Project / Job Name			
Architect / Engineer			
Contractor			
Model		Qty	
Notes :			

Optional Accessories



Basket Strainers



Deep Cup Basket Strainers



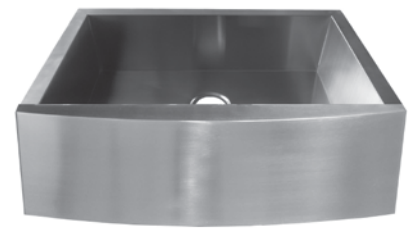
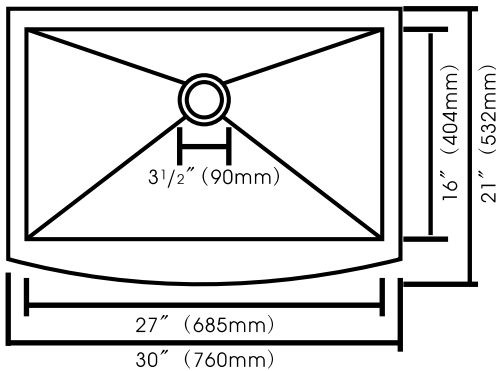
Garbage Disposal Flange & Stopper



Soap Dispensers

Stainless Steel Kitchen Sink

90 Degree Under-Mount Farm Sink with Apron



Model	Depth	Gauge
482-0255	10"	16G

30" x 21" 90 Degree Single Bowl Apron Farm Sink

FEATURES

- * Premium Grade 304 Stainless Steel
- * 10" Depth * 16 Gauge
- * Lustrous Soft Brush Satin Finish
- * 3 1/2" Drain Opening
- * Fully Coated Underneath with Heavy Duty Sound Deadening Pad
- * Includes 10 Fasteners and Instructions
- * Cutout Template (DXF File Available)
- * Limited Lifetime Warranty

Project / Job Name			
Architect / Engineer			
Contractor			
Model		Qty	
Notes :			

Optional Accessories



Basket Strainers



Deep Cup Basket Strainers



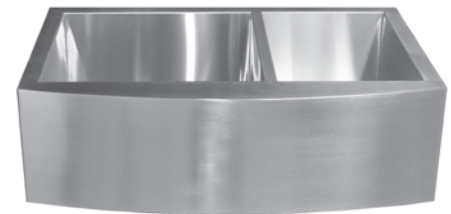
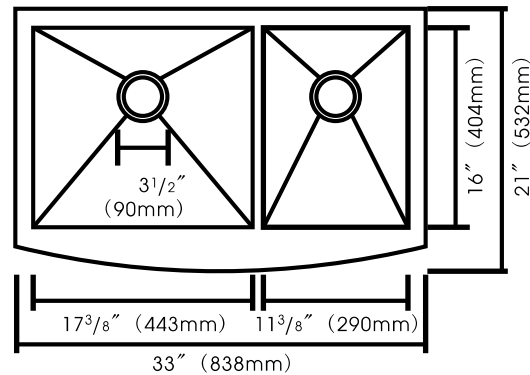
Garbage Disposal Flange & Stopper



Soap Dispensers

Stainless Steel Kitchen Sink

90 Degree Under-Mount Farm Sink with Apron



Model	Depth	Gauge
482-0254	10"	16G

33" x 21" 90 Degree 60/40 Double Bowl Apron Farm Sink

FEATURES

- * Premium Grade 304 Stainless Steel
- * 10" Depth * 16 Gauge
- * Lustrous Soft Brush Satin Finish
- * 3 1/2" Drain Opening
- * Fully Coated Underneath with Heavy Duty Sound Deadening Pads
- * Includes 10 Fasteners and Instructions
- * Cutout Template (DXF File Available)
- * Limited Lifetime Warranty

Project / Job Name			
Architect / Engineer			
Contractor			
Model		Qty	
Notes :			

Optional Accessories



Basket Strainers



Deep Cup Basket Strainers



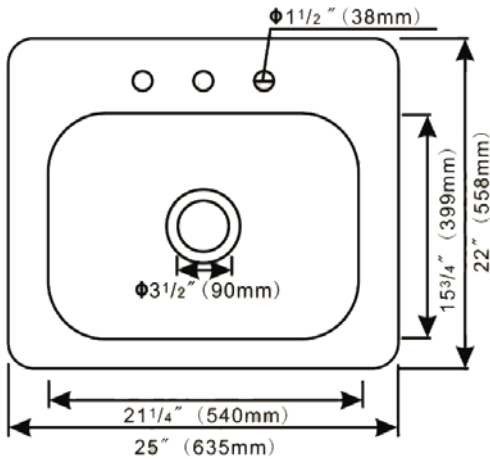
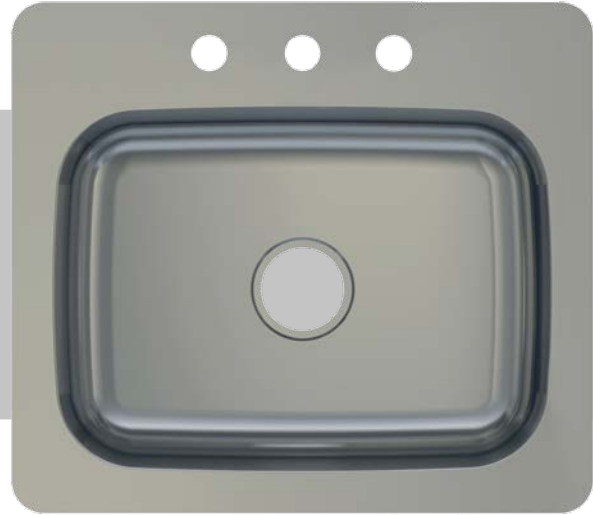
Garbage Disposal Flange & Stopper



Soap Dispensers

Stainless Steel Kitchen Sink

Dual Mount Single Bowl



Model	Depth	Gauge	Hole
482-6289	8-1/2"	20G	4

25" x 22" Dual Mount Single Bowl

FEATURES

- * Premium Grade 304 Stainless Steel
- * 8½" Depth * 20 Gauge
- * Lustrous Satin
- * 3½ Drain Opening
- * Fully Coated Underneath with Heavy Duty Sound Deadening Pad
- * Includes U-Channel Clips and Fasteners for Top-Mount or Under-Mount Installation
- * Cutout Template on Box
- * Limited Lifetime Warranty

Project / Job Name			
Architect / Engineer			
Contractor			
Model		Qty	
Notes :			

Optional Accessories



Basket Strainers



Deep Cup Basket Strainers



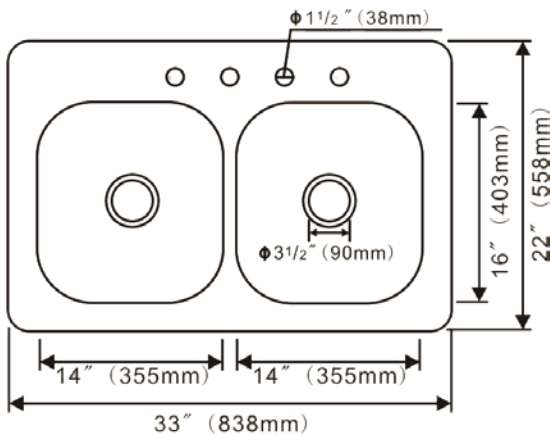
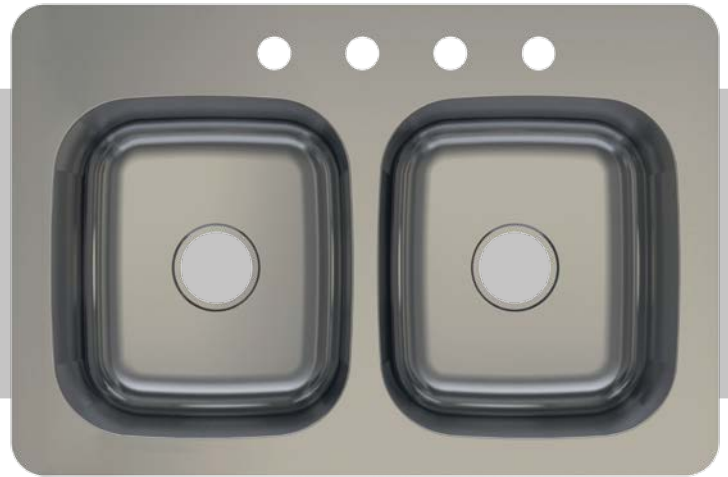
Garbage Disposal Flange & Stopper



Soap Dispensers

Stainless Steel Kitchen Sink

Dual Mount Double Bowl



Model	Depth	Gauge	Hole
482-6288	8-1/2"	20G	4

32" x 22" Dual Mount 50/50 Double Bowl

FEATURES

- * Premium Grade 304 Stainless Steel
- * 8½" Depth * 20 Gauge
- * Lustrous Satin
- * 3½ Drain Opening
- * Fully Coated Underneath with Heavy Duty Sound Deadening Pads
- * Includes 10 U-Channel Clips and 10 Fasteners for Top-Mount or Under-Mount Installation
- * Cutout Template on Box
- * Limited Lifetime Warranty

Project / Job Name			
Architect / Engineer			
Contractor			
Model		Qty	
Notes :			

Optional Accessories



Basket Strainers



Deep Cup Basket Strainers



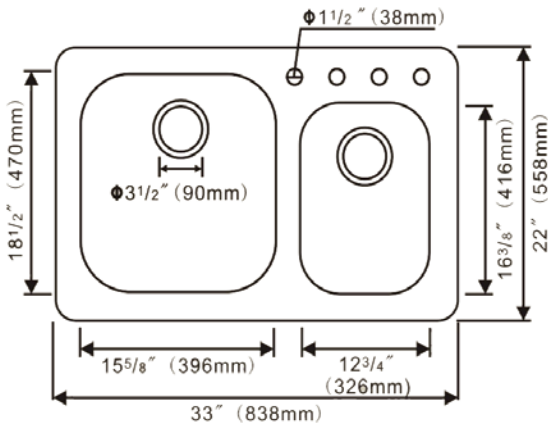
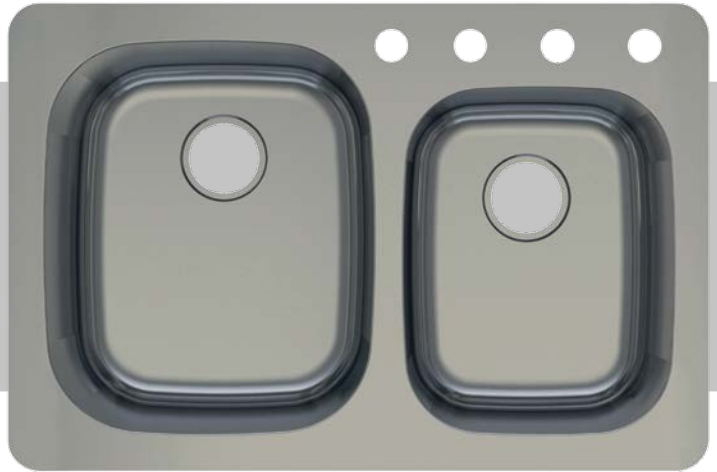
Garbage Disposal Flange & Stopper



Soap Dispensers

Stainless Steel Kitchen Sink

Dual Mount Double Bowl



Model	Depth	Gauge	Hole
482-6292	9" B-L 7 1/2" S-R	20G	4

32" x 22" Dual Mount 60/40 Double Bowl

FEATURES

- * Premium Grade 304 Stainless Steel
- * 9" Big Bowl / 7 1/2" Small Bowl Depth * 20 Gauge
- * Lustrous Satin
- * 3 1/2" Drain Opening
- * Fully Coated Underneath with Heavy Duty Sound Deadening Pads
- * Includes 10 U-Channel Clips and 10 Fasteners for Top-Mount or Under-Mount Installation
- * Cutout Template on Box
- * Limited Lifetime Warranty

Project / Job Name			
Architect / Engineer			
Contractor			
Model		Qty	
Notes :			

Optional Accessories



Basket Strainers



Deep Cup Basket Strainers



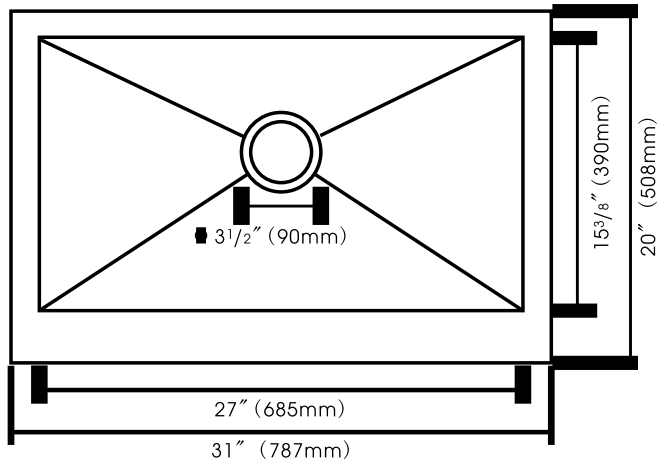
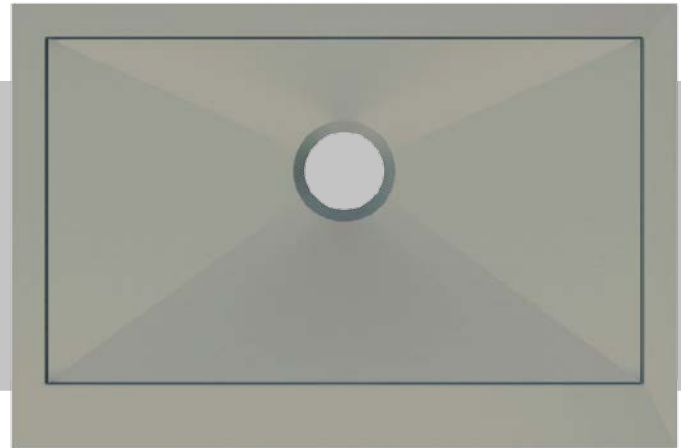
Garbage Disposal Flange & Stopper



Soap Dispensers

Stainless Steel Kitchen Sink

Dual Mount Farm Sink with Apron



Model	Depth	Gauge
482-6156	7-3/4"	18G

31" X 20" Dual Mount Farm Sink

FEATURES

- * Premium Grade 304 Stainless Steel
- * 7 3/4" Depth * 18 Gauge
- * Lustrous Satin
- * 3 1/2" Drain Opening
- * Fully Coated Underneath with Heavy Duty Sound Deadening Pad
- * Includes 10 U-Channel Clips and 10 Fasteners for Top-Mount or Under-Mount Installation
- * Cutout Template (DXF File Available)
- * Limited Lifetime Warranty

Project / Job Name			
Architect / Engineer			
Contractor			
Model		Qty	
Notes :			

Optional Accessories



Basket Strainers



Deep Cup Basket Strainers



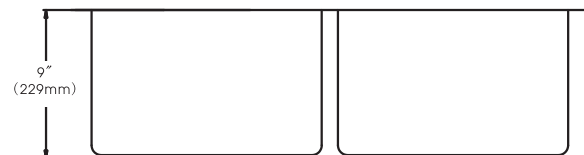
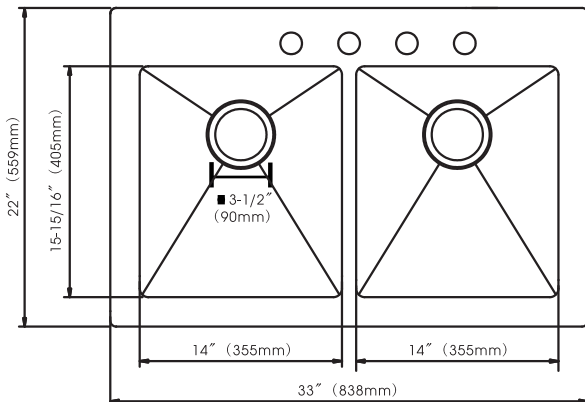
Garbage Disposal Flange & Stopper



Soap Dispensers

Stainless Steel Kitchen Sink

Dual-Mount Double Bowl



Model	Depth	Gauge
442-6146	9"	20G

33" x 22" Dual-Mount Offset 50/50 Double Bowl

FEATURES

- * Premium Grade 304 Stainless Steel
- * 9" Depth * 18 Gauge
- * Lustrous Satin
- * 3 1/2" Drain Opening
- * Fully Coated Underneath with Heavy Duty Sound Deadening Pads
- * Includes 10 U-Channel Clips and 10 Fasteners for Top-Mount or Under-Mount Installations
- * Cutout Template on Box
- * Limited Lifetime Warranty

Project / Job Name			
Architect / Engineer			
Contractor			
Model		Q'ty	
Notes :			

Optional Accessories



Basket Strainers



Deep Cup Basket Strainers



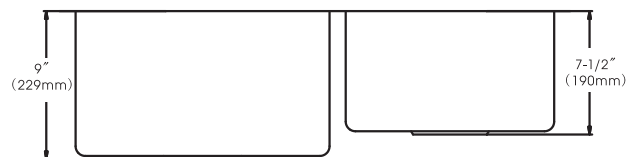
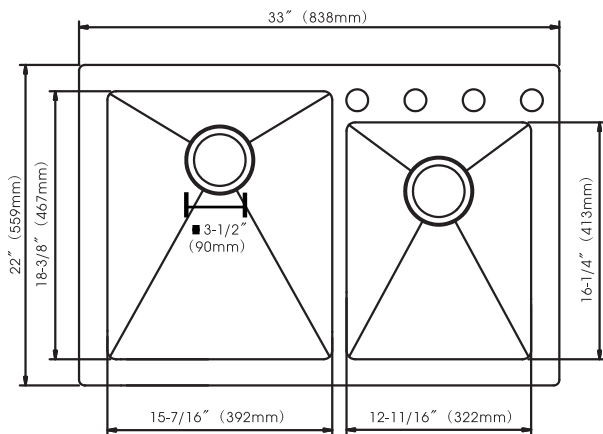
Garbage Disposal Flange & Stopper



Soap Dispensers

Stainless Steel Kitchen Sink

Dual-Mount Double Bowl



Model	Depth	Gauge
442-6147	9" (B) 7-1/2" (S,R)	20G

33" x 22" Dual-Mount Offset 60/40 Double Bowl

FEATURES

- * Premium Grade 304 Stainless Steel
- * 9" (Big Bowl) / 7½" (Small Bowl) Depth * 18 Gauge
- * Small Bowl On Right
- * Lustrous Satin
- * 3½" Drain Opening
- * Fully Coated Underneath with Heavy Duty Sound Deadening Pads
- * Includes 10 U-Channel Clips and 10 Fasteners for Top-Mount or Under-Mount Installations
- * Cutout Template on Box (DXF File Available)
- * Limited Lifetime Warranty

Project / Job Name			
Architect / Engineer			
Contractor			
Model		Q'ty	
Notes :			

Optional Accessories



Basket Strainers



Deep Cup Basket Strainers



Garbage Disposal Flange & Stopper

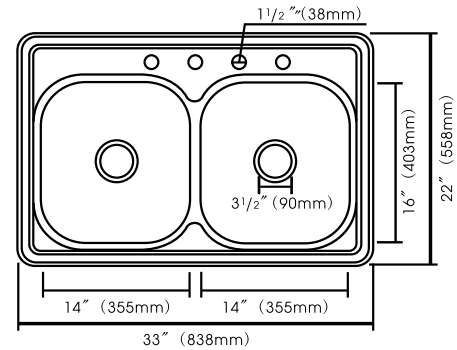


Soap Dispensers

Stainless Steel Kitchen Sink

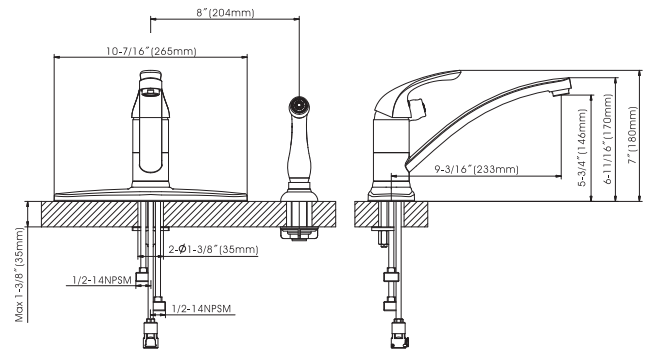
Grab-N-Go Sink Kit

712-6025



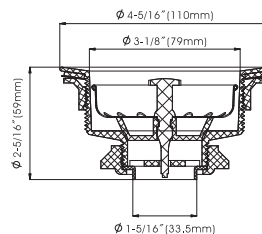
33" x 22" x 7" Top-Mount 50/50 Double Bowl Stainless Steel Sink

- * cUPC Approved
- * Complies with ASME A112.19.3/CSA B45.4-08
- * Premium Grade 304 Stainless Steel
- * 7" Depth * 22 Gauge
- * Lustrous Satin
- * 3 1/2" Drain Opening
- * Fully Coated Underneath with Heavy Duty Sound Deadening Pads
- * Supplied with Fasteners and Instructions
- * Cutout Template (DXF File Available)
- * Limited Lifetime Warranty



Single Handle Kitchen Faucet with Side Sprayer

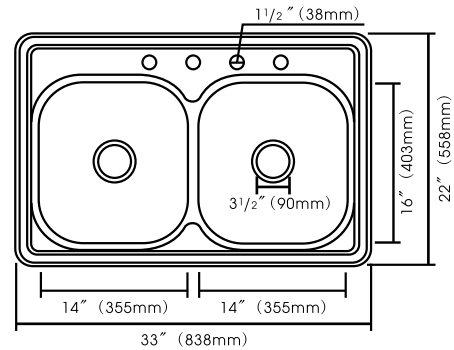
- * cUPC, AB1953, ADA Approved
- * Complies with ASME A112.18.1/CSA B125.1-2011
- * Polish Chrome Finish
- * Premium Grade Ceramic Cartridge
- * Matching Plastic Side Sprayer with 45" Quick Connect Sprayer Hose
- * 6" - 8" Centerset, 4 Hole Installation, 360° Swing Brass Tube Spout, Zinc Handle
- * Removable Stainless Steel Deck Plate for Two Hole Installation
- * Copper Waterway Construction with 1/2" - 14 NPSM Connection
- * Flow Rate: 2.2GPM



2 Basket Strainers

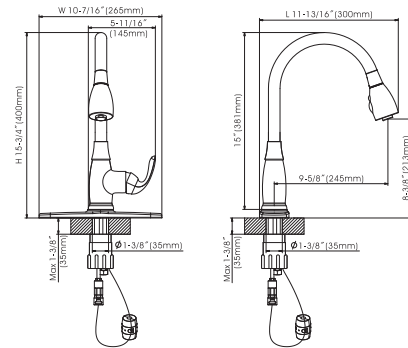
- * Polished Chrome Finish
- * Premium Grade 304 Stainless Steel
- * Decorative Basket Strainer
- * Heavy Duty Double Cup
- * Fits 3 1/2" Drain Opening





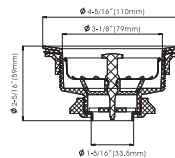
33" x 22" x 8" Top-Mount 50/50 Double Bowl Stainless Steel Sink

- * cUPC Approved
- * Complies with ASME A112.19.3/CSA B45.4-08
- * Premium Grade 304 Stainless Steel
- * 8" Depth * 20 Gauge
- * Lustrous Satin
- * 3 1/2" Drain Opening
- * Fully Coated Underneath with Heavy Duty Sound Deadening Pads
- * Supplied with Fasteners and Instructions
- * Cutout Template (DXF File Available)
- * Limited Lifetime Warranty



Single Handle High ARC Pull-Down Kitchen Faucet

- * cUPC, AB1953, ADA Approved
- * Complies with ASME A112.18.1/CSA B125.1-2011
- * Brushed Nickel Finish
- * Includes Stainless Steel Deck Plate for 1 or 3 Hole Installation
- * Copper Waterway Construction with 1/2" - 14 NPSM Connection
- * Premium Grade Ceramic Cartridge
- * 60" Quick Connect Flexible Nylon Hose with Screw on Weight
- * Two Function Plastic Sprayer Head for Spray and Stream
- * 15" Height, 360° Swing Stainless Steel Tube Spout, Zinc Handle
- * Flow Rate: 2.2GPM
- * 100% Pressure System Tested



Soap Dispenser

- * Brushed Nickel Finish
- * Bottle holds up to 12 oz. of Liquid Soap or Lotion
- * Above Counter Refill
- * Durable Brass Cap, Shank and Lock Nut Construction
- * Fits 3 1/2" Drain Opening

2 Basket Strainers

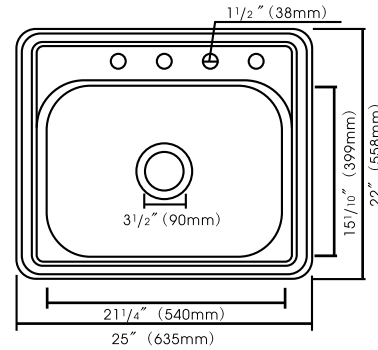
- * Brushed Nickel Finish
- * Premium Grade 304 Stainless Steel
- * Decorative Basket Strainer
- * Heavy Duty Double Cup
- * Fits 3 1/2" Drain Opening



Stainless Steel Kitchen Sink

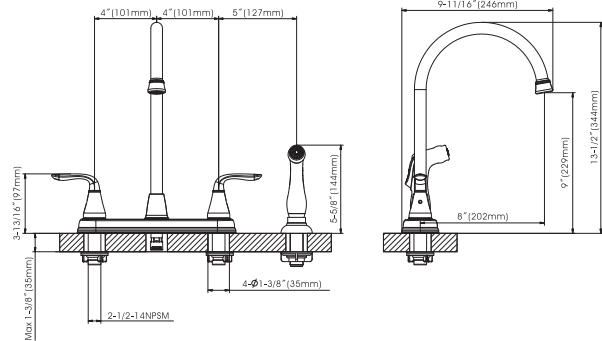
Grab-N-Go Sink Kit

712-6027



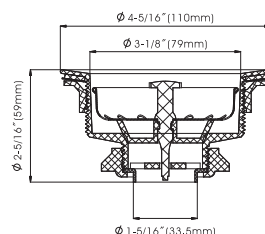
25" x 22" x 8" Top-Mount Single Bowl Stainless Steel Sink

- * cUPC Approved
- * Complies with ASME A112.19.3/CSA B45.4-08
- * 8" Depth * 22 Gauge
- * Lustrous Satin
- * 3 1/2" Drain Opening
- * Fully Coated Underneath with Heavy Duty Sound Deadening Pad
- * Supplied with Fasteners and Instructions
- * Cutout Template (DXF File Available)
- * Limited Lifetime Warranty



Two Handle High ARC Kitchen Faucet With Side Sprayer

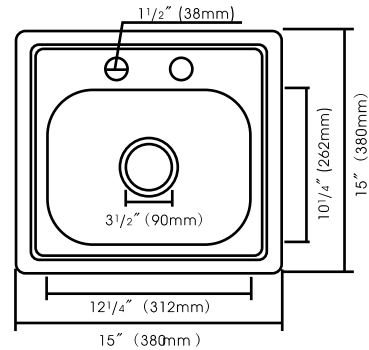
- * cUPC, AB1953, ADA Approved
- * Complies with ASME A112.18.1/CSA B125.1-2011
- * Polished Chrome Finish
- * 8" Centerset, 4 Hole Installation
- * 13" High Arc Stainless Steel Spout, Zinc Handle, Zinc Deck Plate
- * 1/4" Turn Premium Grade Ceramic Cartridge
- * Matching Plastic Side Sprayer with 45" Quick-Connect Hose
- * Flow Rate: 2.2GPM
- * 100% Pressure System Tested



Basket Strainer

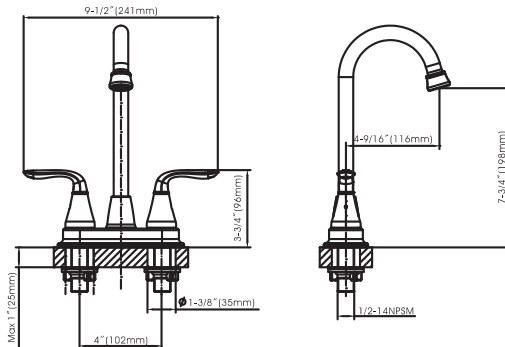
- * Chrome
- * Premium Grade 304 Stainless Steel
- * Decorative Basket Strainer
- * Heavy Duty Double Cup
- * Fits 3 1/2" Drain Opening





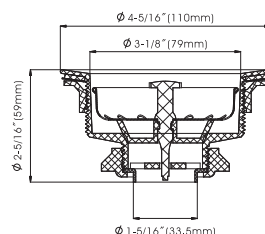
15" X 15" x 6" Top-Mount Single Bowl Stainless Steel Bar Sink

- * cUPC Approved
- * Complies with ASME A112.19.3/CSA B45.4-08
- * 6" Depth * 22 Gauge
- * Lustrous Satin
- * 3 1/2" Drain Opening
- * Fully Coated Underneath with Heavy Duty Sound Deadening Pads
- * Supplied with Fasteners and Instructions
- * Cutout Template (DXF File Available)
- * Limited Lifetime Warranty



Two Handle Bar Faucet

- * cUPC, AB1953, ADA Approved
- * Complies with ASME A112.18.1/CSA B125.1-2011
- * Polished Chrome Finish
- * 4" Centerset, 2 Hole Installation
- * Stainless Steel Spout, Zinc Handle, Zinc Deck Plate
- * 1/4" Turn Premium Grade Ceramic Cartridge
- * Matching Plastic Side Sprayer with 45" Quick-Connect Hose
- * Flow Rate: 2.2GPM
- * 100% Pressure System Tested



Basket Strainer

- * Chrome
- * Premium Grade 304 Stainless Steel
- * Decorative Basket Strainer
- * Heavy Duty Double Cup
- * Fits 3 1/2" Drain Opening





Regular Sink Strainer

■ Model No. : 191-9373

- * Polished Chrome Finish
- * Decorative Basket Strainer
- * Heavy Duty Double Cup
- * Fits 3½" Drain Opening



Regular Sink Strainer

■ Model No. : 191-9374

- * Brushed Nickel Finish
- * Decorative Basket Strainer
- * Heavy Duty Double Cup
- * Fits 3½" Drain Opening



Regular Sink Strainer

■ Model No. : 191-9375

- * Oil Rubbed Bronze
- * Decorative Basket Strainer
- * Heavy Duty Double Cup
- * Fits 3½" Drain Opening



Deep Cup Sink Strainer

■ Model No. : 191-9376

- * Polished Chrome Finish
- * Decorative Basket Strainer
- * Heavy Duty Double Cup
- * Fits 3½" Drain Opening



Deep Cup Sink Strainer

■ Model No. : 191-9377

- * Brushed Nickel Finish
- * Decorative Basket Strainer
- * Heavy Duty Double Cup
- * Fits 3½" Drain Opening



Deep Cup Sink Strainer

■ Model No. : 191-9378

- * Oil Rubbed Bronze
- * Decorative Basket Strainer
- * Heavy Duty Double Cup
- * Fits 3½" Drain Opening



Garbage Disposal Flange

▪ **Model No. : 482-6259**

- *Brushed Nickel Finish
- *Fits Standard Garbage Disposal Units, 4-1/2 " Diameter, 1-3/4" Depth
- *Brass Construction



Garbage Disposal Stopper

▪ **Model No. : 482-6260**

- *Brushed Nickel Finish
- *Fits Standard Garbage Disposal Units, 3-5/16 " Diameter, 1-3/8" Depth
- *Brass Construction



Garbage Disposal Flange

▪ **Model No. : 482-6261**

- *Oil-Rubbed Bronze Finish
- *Fits Standard Garbage Disposal Units, 4-1/2 " Diameter, 1-3/4" Depth
- *Brass Construction



Garbage Disposal Stopper

▪ **Model No. : 482-6262**

- *Oil-Rubbed Bronze Finish
- *Fits Standard Garbage Disposal Units, 3-5/16 " Diameter, 1-3/8" Depth
- *Brass Construction



Stainless Steel Sink Care

After Each Use:

- Remove all objects, pads, grids, cloths, etc., from sink.
- Clean with light soap solution, rinse, drain all water and towel dry.

Regular Maintenance:

Side Walls and Bottom of Sink: Remove stains using a cleaning product that contains mild abrasives; always wipe in grain direction; rinse well and towel dry. For stubborn stains or scratches use a fine grit scrubbing pad following direction of sink grain finish. Pay careful attention to the directional change.

Mineral Deposits: Use a cleaning product that contains mild abrasives or a light solution of vinegar and water (1 :20 ratio); rinse well and towel dry.

CAUTION: Stainless steel requires exposure to air; **DO NOT** leave items, objects, cloths, mats, water, pots and pans, cast iron, knives, etc., in sink when not washing. Some items void stainless steel from oxygen and can cause pitting or rusting.

DO NOT:

- Use steel wool or other metal or coarse scouring pads.
- Stand on or in sink when cleaning windows, reaching for top shelf, painting, etc.
- Drop heavy objects in sink as this will cause denting.
- Leave water, bleach, other cleaners, or chemicals of any type in sink; always rinse sink after any use and dry with towel.
- Use concentrated bleach; always dilute with water and rinse thoroughly after use.
- Use any acids, drain cleaners, harsh chemicals, paint removers, metal cleaners, etc., in sink.
- Drop sharp objects in sink or use as a cutting surface.

LIMITED LIFETIME WARRANTY

Bala Sinks stainless steel sinks are warranted to the original consumer purchaser to be free from defects in material and workmanship for as long as the original consumer purchaser owns the home. Compass Manufacturing International will, at its option, replace or repair, without charge such product if it fails due to a manufacturing defect for a lifetime of normal residential use. Product replacement does not include transportation cost or labor installation cost. This warranty covers only stainless steel self-rimming drop-in sinks installed in a conventional counter-top surface and stainless steel under-mount sinks installed in a conventional solid surface counter-top and applies to residential installations only. Compass Manufacturing International reserves the right to examine the product in question and its installation prior to replacement.

In the event that Bala sinks are used in a Commercial Application, this warranty is limited for a period of 5 years, unless otherwise specifically stated in the catalog and/or price book.

Some states do not allow the exclusion or limitation of incidental or consequential damages or limitations on how long an implied warranty lasts so above limitations or exclusions may not apply to you.

Service Replacements may be obtained by emailing the address below, calling the number below or by writing to:

Compass Manufacturing International

Bala Sinks Product Service
6702 Enterprise Drive
Louisville, KY 40214
800.626.3525
www.cmiproduct.com
warranty@cmiproduct.com

Bala Sinks is a division of Compass Manufacturing International