



Freendo Faucets[®]

2017 SPEC BOOK

Prestige - Single Handle Lavatory Faucet



- * Single Hole or 3 Hole Installation
- * Includes Brass Pop-up Drain
- * 4-1/8" High and 5-1/8" Long One Piece Solid Cast Brass Spout, Zinc Handle, Stainless Steel Deck Plate
- * Copper Waterway Construction with 1/2" -14 NPSM Connection
- * Premium Grade Ceramic Cartridges (Type E)
- * Flow Rate: 1.2GPM
- * 100% Pressure System Tested

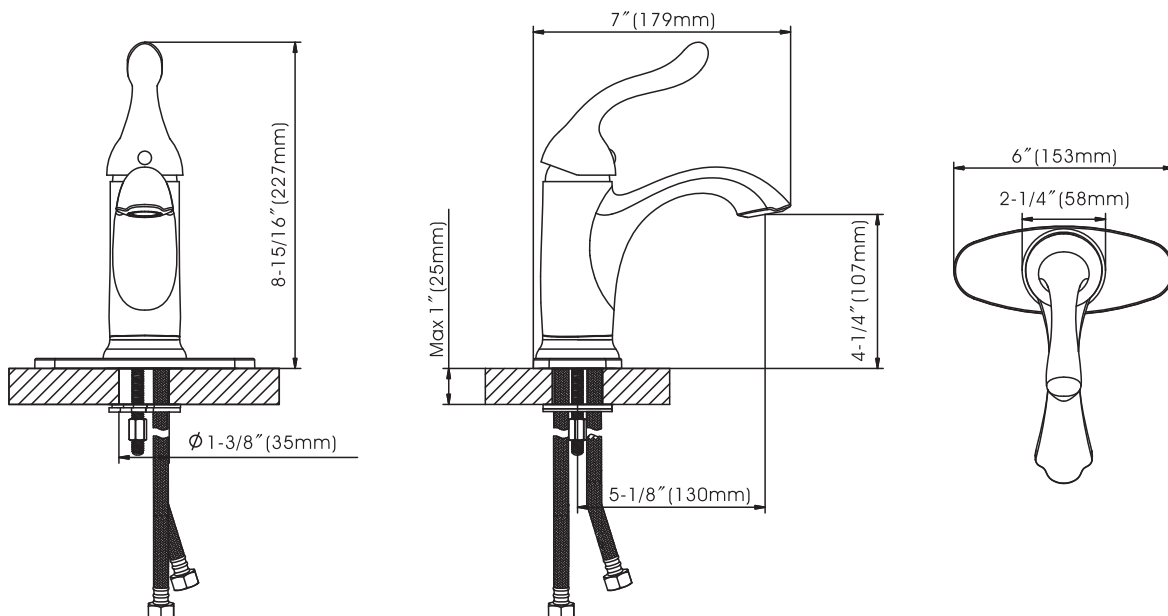


Model No. :

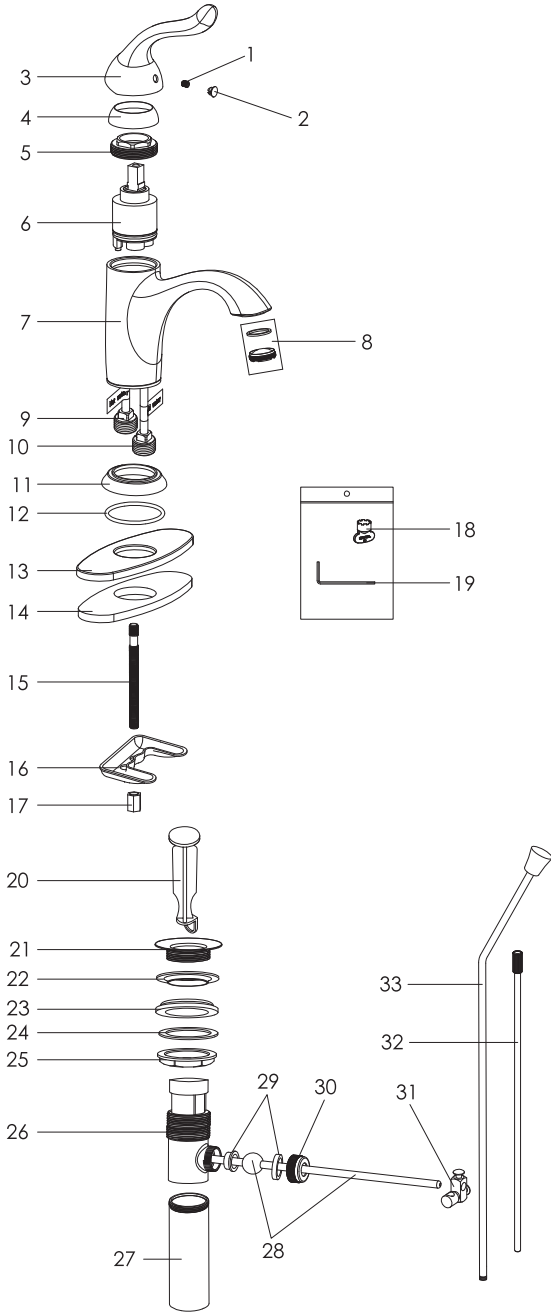
201-7706 (Polished Chrome)

201-7707 (Brushed Nickel Spotless PVD)

201-7708 (Oil-Rubbed Bronze)



Prestige - Single Handle Lavatory Faucet



Model No. :

201-7706 (Polished Chrome)

201-7707 (Brushed Nickel *Spotless PVD*)

201-7708 (Oil-Rubbed Bronze)

No.	Part Name	Material
1	Index	Stainless Steel
2	Screw	Plastic
3	Handle	Zinc
4	Trim Cap	Plastic
5	Cartridge Lock Nut	Brass
6	Cartridge	Ceramic
7	Body	Brass
8	Aerator	Plastic
9	Copper Tube	Brass
10	Copper Tube	Brass
11	Hub Base	Zinc
12	O-Ring	Rubber
13	Deck Plate	Stainless Steel
14	Putty Plate	Sponge
15	Bolt	Stainless Steel
16	Clamp	Stainless Steel
17	Lock Nut	Brass
18	Aerator Wrench	Plastic
19	Allen Key	Steel
20	Drain Stopper	Plastic+Brass
21	Flange	Brass
22	Top Rubber Washer	Rubber
23	Bottom Rubber Washer	Rubber
24	Washer	Plastic
25	Lock Nut	Zinc
26	Drain Body	Brass
27	Tailpiece	Stainless Steel
28	Horizontal Rod	Plastic+Stainless Steel
29	Rod Ball Plastic Gasket	Plastic
30	Rod Guide Nut	Brass
31	Fittings	Brass
32	Extend Rod	Stainless Steel
33	Lift Rod	Brass

Cartridge (Type E)



Technical Support: warranty@cmiproduct.com
 Hour of Operation: Mon - Fri 8:30 a.m - 5:00 p.m. EST

Prestige - Two Handle Lavatory Faucet

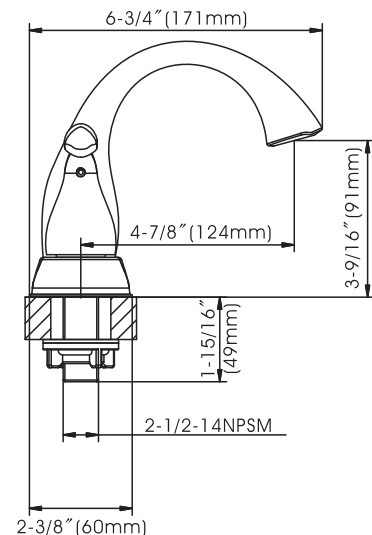
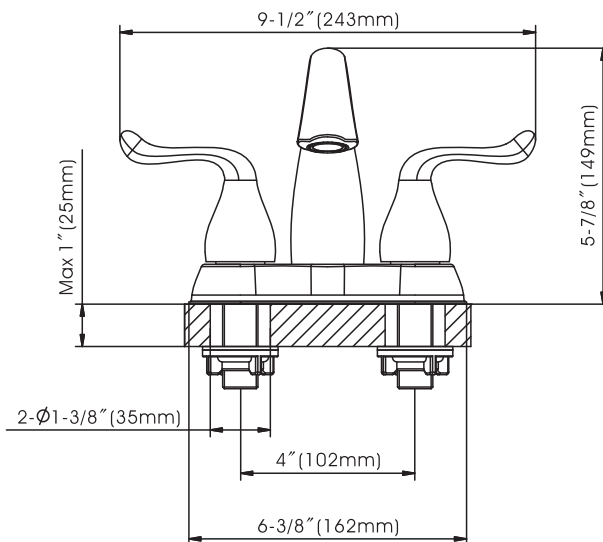


- * 4" Center-set, 3 Hole Installation
- * Includes Brass Pop-up Drain
- * 3-5/8" High and 5" Long One Piece Solid Cast Brass Spout, Zinc Handle, Brass Deck Plate
- * Brass Waterway Construction with 1/2" -14 NPSM Connection
- * 1/4 Turn Premium Grade Ceramic Cartridges (Type I)
- * Flow Rate: 1.2GPM
- * 100% Pressure System Tested

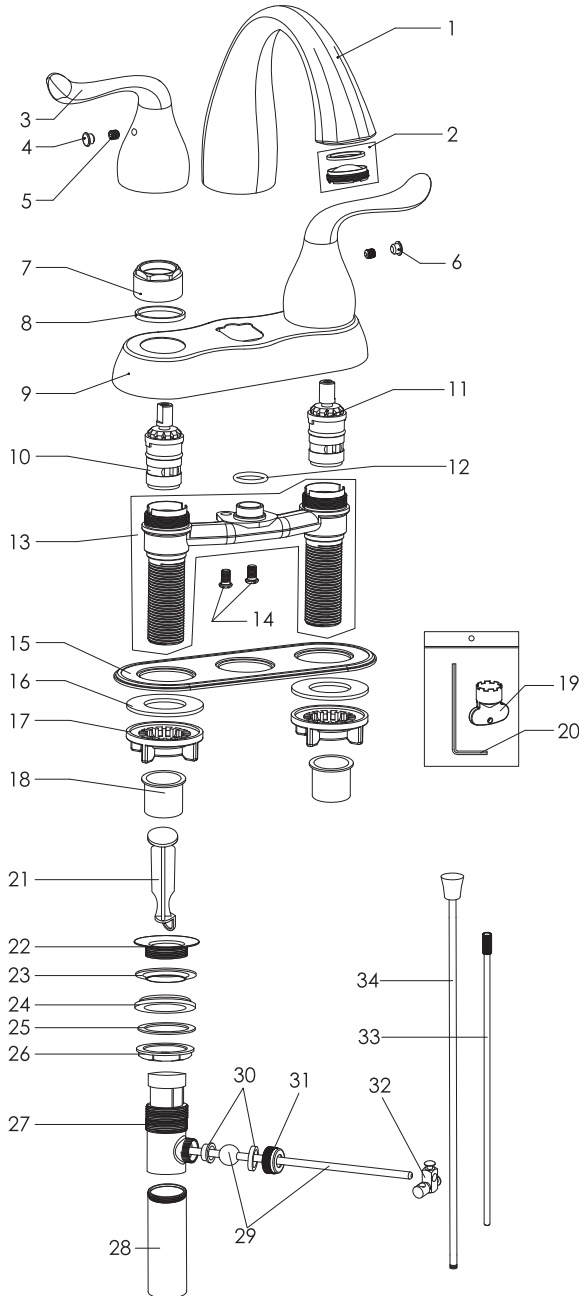


Model No. :

201-7709 (Polished Chrome) 201-7710 (Brushed Nickel Spotless PVD) 201-7711 (Oil-Rubbed Bronze)



Prestige - Two Handle Lavatory Faucet



Model No. :

201-7709 (Polished Chrome)

201-7710 (Brushed Nickel **Spotless PVD**)

201-7711 (Oil-Rubbed Bronze)

No.	Part Name	Material
1	Spout	Brass
2	Aerator	Rubber+Plastic
3	Handle	Zinc
4	Index(Red)	Rubber
5	Screw	Stainless Steel
6	Index(Blue)	Rubber
7	Cartridge Lock Nut	Zinc
8	Plastic Washer	Plastic
9	Deck Plate	Brass
10	Cartridge(Hot Water)	Ceramic
11	Cartridge(Cold Water)	Ceramic
12	O-Ring	Rubber
13	Brazed Underbody	Brass
14	Screw	Stainless Steel
15	Putty Plate	Plastic
16	Washer	Rubber
17	Plastic Lock Nut	Plastic
18	Protective Sleeve	Plastic
19	Aerator Wrench	Plastic
20	Allen Key	Stainless Steel
21	Drain Stopper	Plastic+Brass
22	Flange	Brass
23	Top Rubber Washer	Rubber
24	Bottom Rubber Washer	Rubber
25	Washer	Plastic
26	Lock Nut	Zinc
27	Drain Body	Brass
28	Tailpiece	Stainless Steel
29	Horizontal Rod	Plastic+Stainless Steel
30	Rod Ball Plastic Gasket	Plastic
31	Rod Guide Nut	Brass
32	Fittings	Brass
33	Extend Rod	Stainless Steel
34	Lift Rod	Brass

Cartridge (Type I)



Technical Support: warranty@cmiproduct.com
 Hour of Operation: Mon - Fri 8:30 a.m - 5:00 p.m. EST

Prestige - Wide Spread Lavatory Faucet



- * Wide Spread 6" -10" Center-set, 3 Hole Installation
- * Includes Brass Pop-up Drain
- * 4" High and 5-3/8" Long One Piece Solid Cast Brass Spout, Zinc Handle
- * Solid Brass Waterway Construction with 1/2" -14 NPSM Connection
- * "Quick Connect" Type Connection Hose
- * 1/4 Turn Premium Grade Ceramic Cartridges (Type J)
- * Flow Rate: 1.2GPM
- * 100% Pressure System Tested



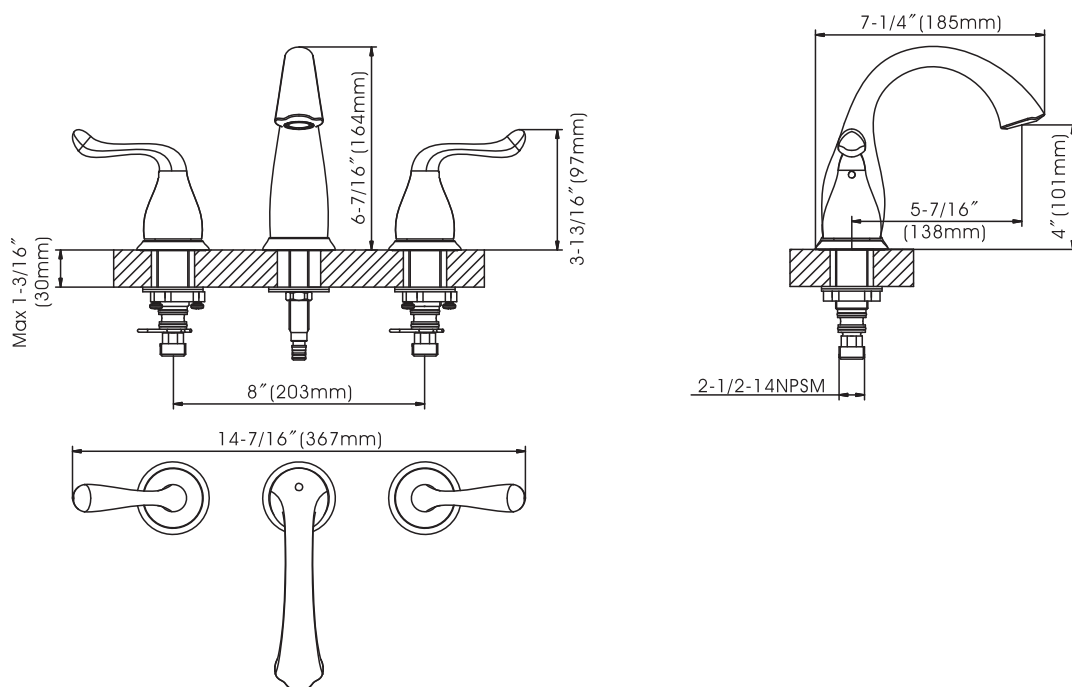
Shown Model : 201-7714

Model No. :

201-7713 (Polished Chrome)

201-7714 (Brushed Nickel **Spotless PVD**)

201-7715 (Oil-Rubbed Bronze)



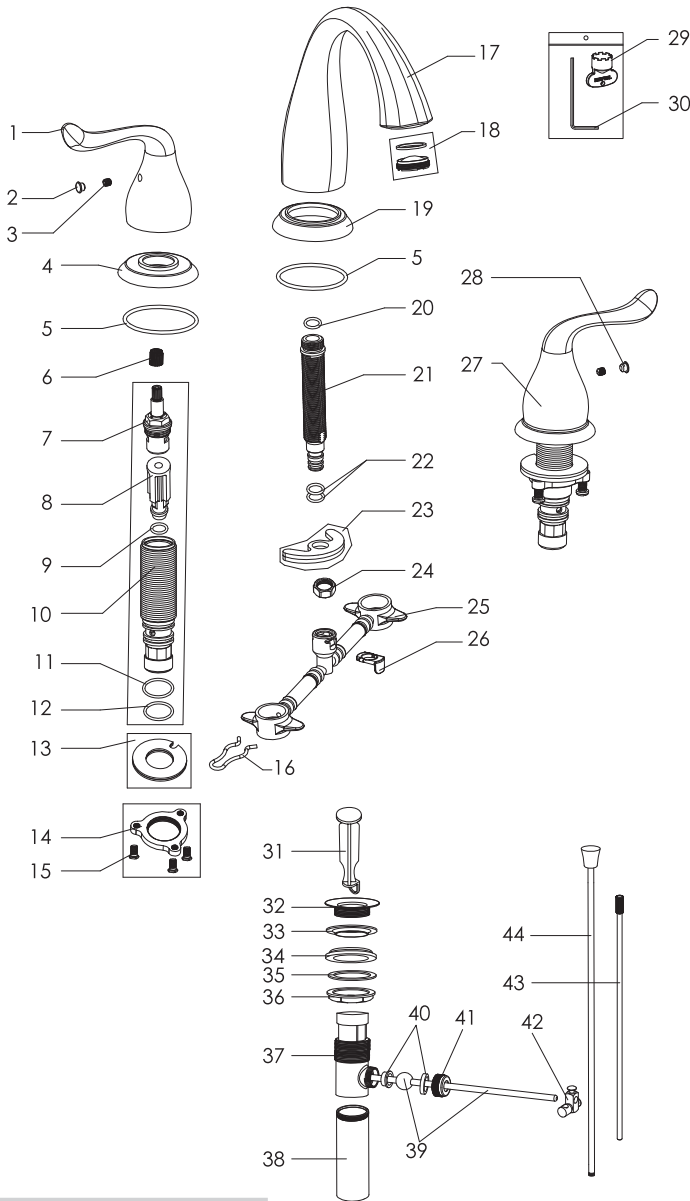
Prestige - Wide Spread Lavatory Faucet

Model No. :

201-7713 (Polished Chrome)

201-7714 (Brushed Nickel **Spotless PVD**)

201-7715 (Oil-Rubbed Bronze)



No.	Part Name	Material
1	Handle	Zinc
2	Index(Hot)	Rubber
3	Set Screw	Stainless Steel
4	Handle Flange	Zinc
5	O-Ring	Rubber
6	Handle Adapter	Plastic
7	Cartridge(Hot Water)	Brass
8	Cartridge seat	Brass
9	O-Ring	Rubber
10	Brass Valve Body	Brass
11	O-Ring	Rubber
12	O-Ring	Rubber
13	Clamp	Rubber+Stainless Steel
14	Lock Nut	Zinc
15	Screw	Stainless Steel
16	Clip	Stainless Steel
17	Spout	Brass
18	Aerator	Rubber+Plastic
19	Spout Flange	Zinc
20	O-Ring	Rubber
21	Inlet	Brass
22	O-Ring	Rubber
23	Clamp	Plastic+Stainless Steel
24	Lock Nut	Brass
25	Quick Connect Hose	Plastic
26	Plastic Lock Ring	Plastic
27	Cartridge(Cold Water)	Brass
28	Index(Cold)	Rubber
29	Aerator Wrench	Plastic
30	Allen Key	Brass
31	Drain Stopper	Plastic+Brass
32	Flange	Brass
33	Top Rubber Washer	Rubber
34	Bottom Rubber Washer	Rubber
35	Washer	Plastic
36	Lock Nut	Zinc
37	Drain Body	Brass
38	Tailpiece	Stainless Steel
39	Horizontal Rod	Plastic+Stainless Steel
40	Rod Ball Plastic Gasket	Plastic
41	Rod Guide Nut	Brass
42	Fittings	Brass
43	Extend Rod	Stainless Steel
44	Lift Rod	Brass

Cartridge (Type J)

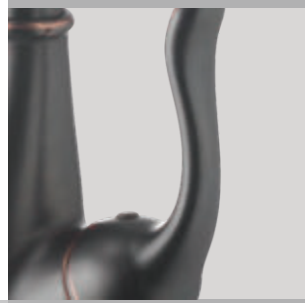


Technical Support: warranty@cmiproduct.com
 Hour of Operation: Mon - Fri 8:30 a.m - 5:00 p.m. EST

Prestige - Single Handle Pull-down Kitchen Faucet



- * Includes Stainless Steel Deck Plate for 1 or 3 Holes Installation
- * 360° Swing Stainless Steel Tube Spout, Zinc Handle
- * Matching Two Function Plastic Pull-down Sprayer
- * Copper Waterway Construction with 1/2" -14 NPSM Connection
- * Premium Grade Ceramic Cartridges (Type G)
- * 60" Quick Connect Flexible Nylon Hose
- * Screw On Weight
- * Flow Rate: 1.8 GPM
- * 100% Pressure System Tested



Shown Model : 191-7718

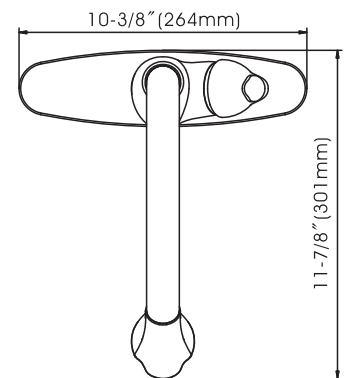
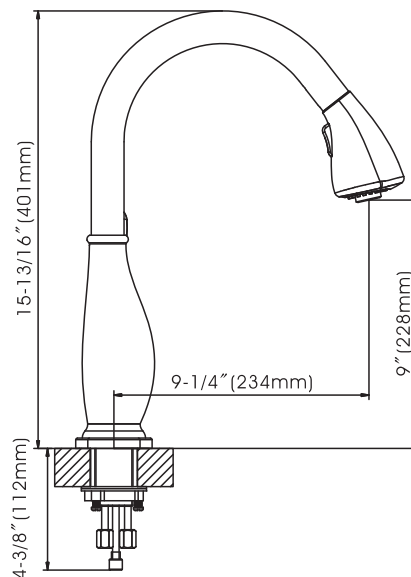
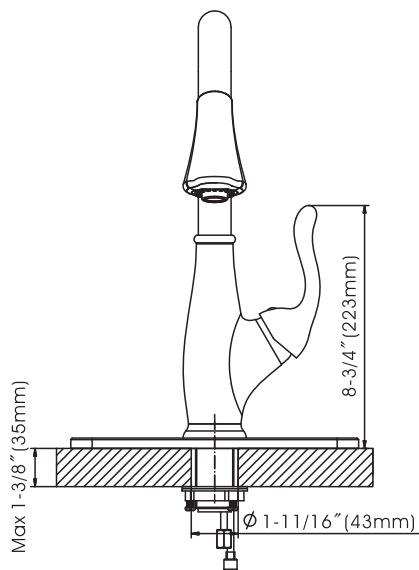


Model No. :

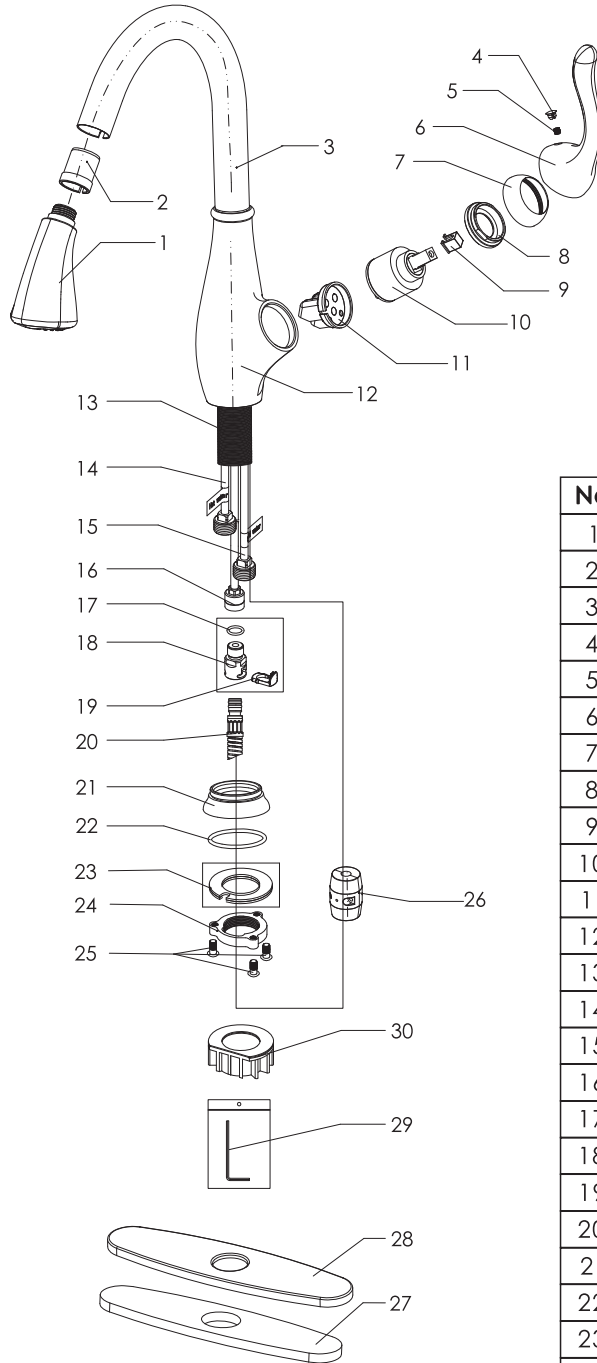
191-7716 (Polished Chrome)

191-7717 (Brushed Nickel Spotless PVD)

191-7718 (Oil-Rubbed Bronze)



Prestige - Single Handle Pull-down Kitchen Faucet



Model No. :

191-7716 (Polished Chrome)

191-7717 (Brushed Nickel *Spotless PVD*)

191-7718 (Oil-Rubbed Bronze)

No.	Part Name	Material
1	Spray	Plastic
2	Hose Guide	Plastic
3	Spout	Stainless Steel
4	Index	Plastic
5	Set Screw	Stainless Steel
6	Handle	Zinc
7	Trim Cap	Plastic
8	Cartridge Lock Nut	Brass
9	Cartridge Adapter	Plastic
10	Cartridge	Ceramic
11	Cartridge Seat	Brass
12	Body	Zinc
13	Shank	Stainless Steel
14	Copper Tube	Brass
15	Copper Tube	Brass
16	Copper Tube	Brass
17	O-Ring	Rubber
18	Quick Connector	Plastic
19	Plastic Lock Ring	Plastic
20	Pull-Down Hose	Nylon
21	Hub Base	Zinc
22	O-Ring	Rubber
23	Clamp	Rubber+Stainless Steel
24	Lock Nut	Zinc
25	Screw	Stainless Steel
26	Weight	Plastic+Steel
27	Putty Plate	Sponge
28	Deck Plate	Stainless Steel
29	Allen Key	Steel
30	Plastic Base	Plastic

Cartridge (Type G)



Technical Support: warranty@cmiproduct.com
 Hour of Operation: Mon - Fri 8:30 a.m - 5:00 p.m. EST

Prestige - Single Handle Pull-out Kitchen Faucet

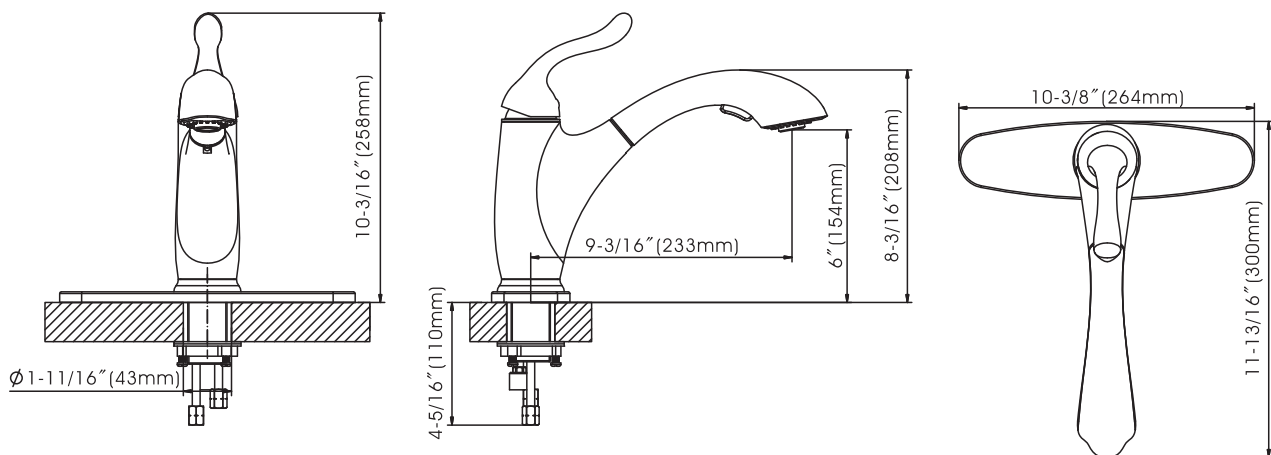


- * Includes Stainless Steel Deck Plate for 1 or 3 Holes Installation
- * 120° Swing Stainless Steel Tube Spout, Zinc Handle
- * Matching Two Function Pull-out Sprayer
- * Copper Waterway Construction with 1/2" -14 NPSM Connection
- * Premium Grade Ceramic Cartridges (Type G)
- * 60" Quick Connect Flexible Nylon Hose
- * Floating Weight
- * Flow Rate: 1.8 GPM
- * 100% Pressure System Tested

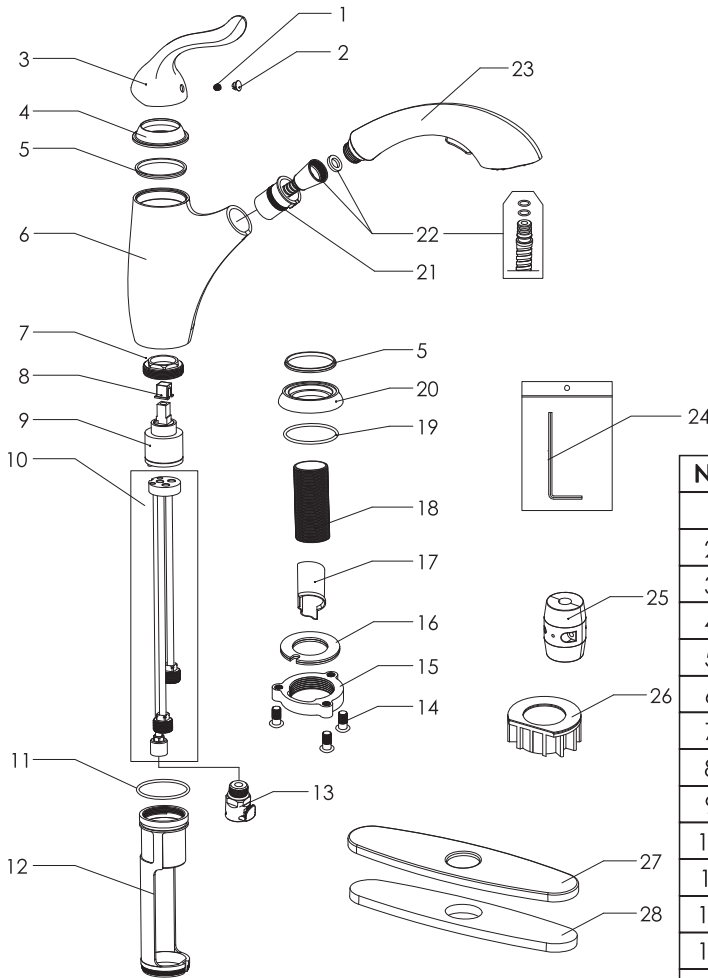


Model No. :

191-7719 (Polished Chrome) 191-7720 (Brushed Nickel Spotless PVD) 191-7721 (Oil-Rubbed Bronze)



Prestige - Single Handle Pull-out Kitchen Faucet



Model No. :

191-7719 (Polished Chrome)

191-7720 (Brushed Nickel *Spotless PVD*)

191-7721 (Oil-Rubbed Bronze)

No.	Part Name	Material
1	Set Screw	Stainless Steel
2	Index	Plastic
3	Handle	Zinc
4	Trim Cap	Brass
5	Washer	Plastic
6	Body	Zinc
7	Cartridge Lock Nut	Stainless Steel
8	Cartridge Adapter	Plastic
9	Cartridge	Ceramic
10	Waterway	Brass
11	O-Ring	Rubber
12	Waterway Sleeve	Zinc
13	Quick Connect Assembly	Plastic
14	Screw	Stainless Steel
15	Lock Nut	Zinc
16	Clamp	Rubber+Stainless Steel
17	Protective Sleeve	Plastic
18	Shank	Stainless Steel
19	O-Ring	Rubber
20	Hub Base	Zinc
21	Hose Guide	Plastic
22	Pull-Out Hose	Nylon
23	Spray	Plastic
24	Allen Key	Steel
25	Weight	Plastic+Brass
26	Plastic Base	Plastic
27	Deck Plate	Stainless Steel
28	Putty Plate	Sponge

Cartridge (Type G)

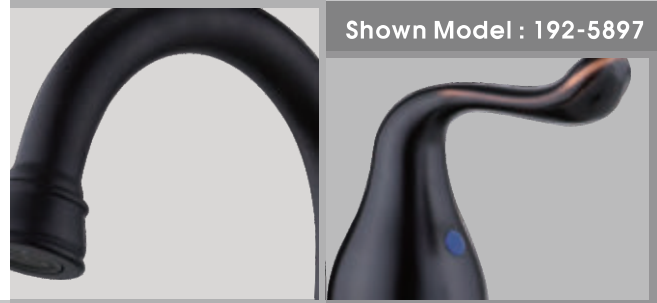


Technical Support: warranty@cmiproduct.com
 Hour of Operation: Mon - Fri 8:30 a.m - 5:00 p.m. EST

Prestige - Two Handle Bar Faucet



- * 4" Centerset, 2 Hole Installation
- * 7-3/4" High and 4-9/16" Long Stainless Steel Tube Spout, Zinc Handle, Stainless Steel Deck Plate
- * Brass Waterway Construction with 1/2" -14 NPSM Connection
- * 1/4 Turn Premium Grade Ceramic Cartridges (Type I)
- * Sleek and Functional Two-Handle Design
- * 1/2" IPS Connections
- * Flow Rate: 1.8GPM
- * 100% Pressure System Tested



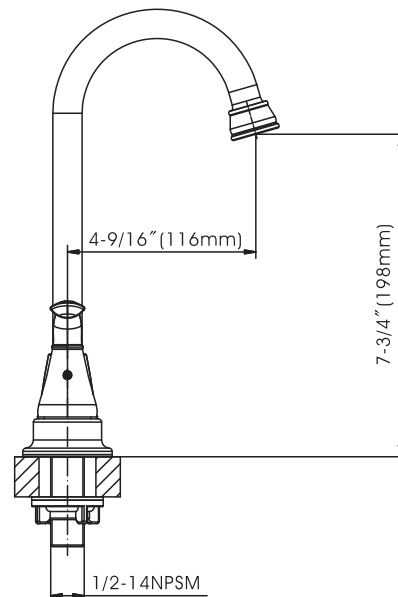
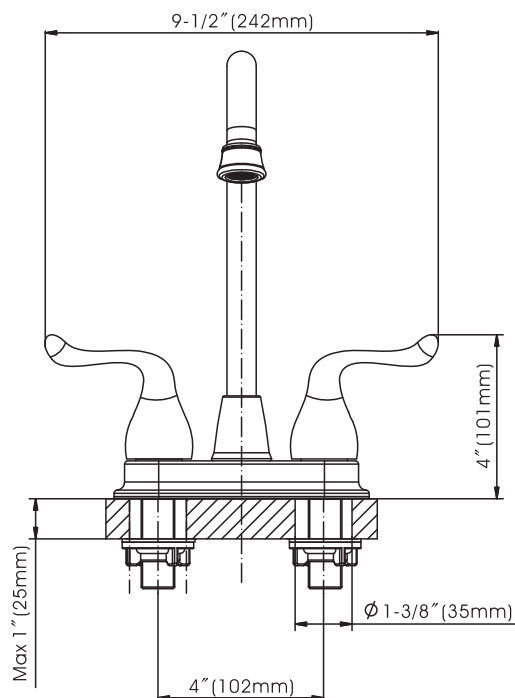
Shown Model : 192-5897

Model No. :

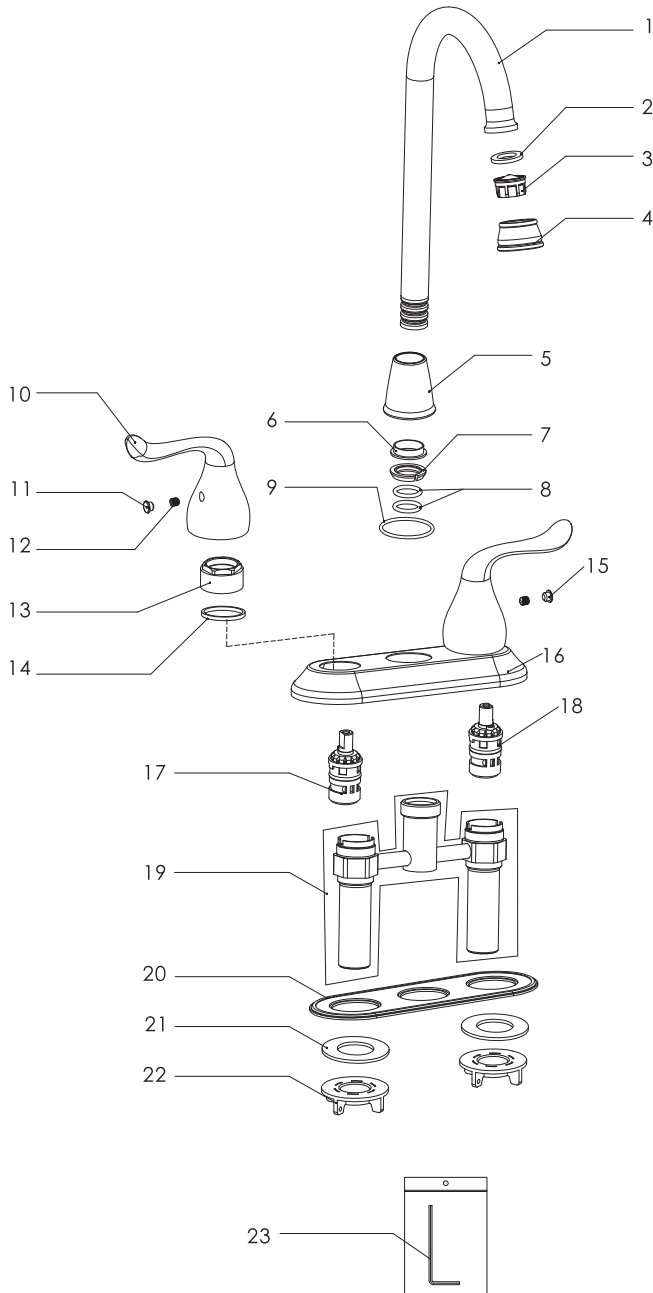
192-5895 (Polished Chrome)

192-5896 (Brushed Nickel *Spotless PVD*)

192-5897 (Oil-Rubbed Bronze)



Prestige - Two Handle Bar Faucet



Model No. :

192-5895 (Polished Chrome)

192-5896 (Brushed Nickel **Spotless PVD**)

192-5897 (Oil-Rubbed Bronze)

No.	Part Name	Material
1	Shower Arm	Stainless Steel
2	Aerator Washer	Rubber
3	Aerator Core	Plastic
4	Aerator Collar	Brass
5	Spout Nut	Zinc
6	Protective Sleeve	Plastic
7	Wearing Ring	Plastic
8	O-Ring	Rubber
9	O-Ring	Rubber
10	Handle	Zinc
11	Index(Hot)	Rubber
12	Set Screw	Stainless Steel
13	Cartridge Lock Nut	Zinc
14	Washer	Plastic
15	Index(Cold)	Rubber
16	Deck Plate	Stainless Steel
17	Cartridge(Hot Water)	Ceramic
18	Cartridge(Cold Water)	Ceramic
19	Brazed Underbody	Brass
20	Putty Plate	Plastic
21	Washer	Rubber
22	Plastic Lock Nut	Plastic
23	Allen Key	Steel

Cartridge (Type I)



Technical Support: warranty@cmiproduct.com
 Hour of Operation: Mon - Fri 8:30 a.m - 5:00 p.m. EST

Prestige - Single Handle Pressure Balanced Tub & Shower Set



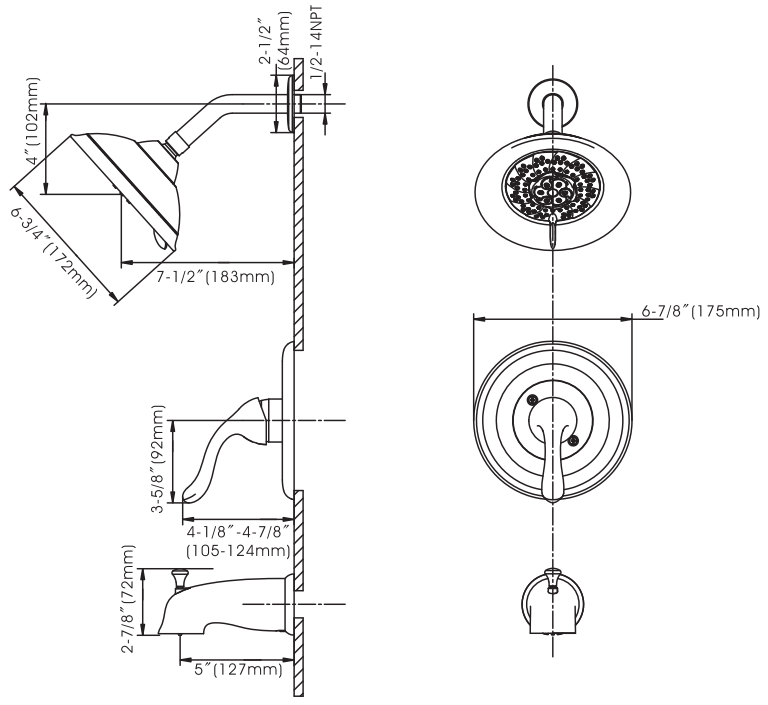
- * Pressure Balanced & Ceramic (Type F)
- * Solid Brass Waterway Construction with 1/2" -14 NPT Connection
- * Integral Stops, Diverter Tub Spout
- * 6-1/2" Six Function Massage Plastic Shower Head, Zinc Handle
- * Stainless Steel Shower Arm
- * Stainless Steel Round Plate
- * Zinc Die Cast Tub Spout
- * Shower Head Flow Rate: 1.5GPM
- * 100% Pressure System Tested



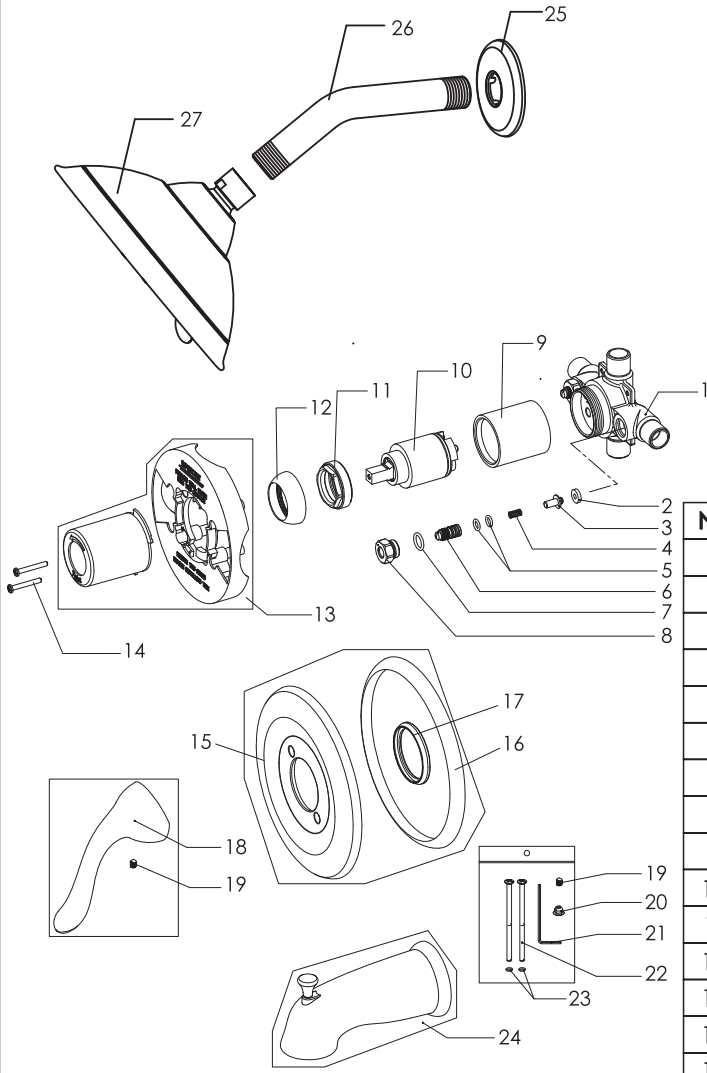
Shown Model : 201-7723



Model No. :
 201-7722 (Polished Chrome) 201-7723 (Brushed Nickel Spotless PVD) 201-7724 (Oil-Rubbed Bronze)



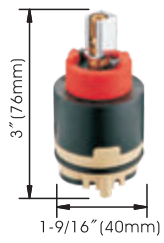
Prestige - Single Handle Pressure Balanced Tub & Shower Set



Model No. :
 201-7722 (Polished Chrome)
 201-7723 (Brushed Nickel *Spotless PVD*)
 201-7724 (Oil-Rubbed Bronze)

No.	Part Name	Material
1	Valve Body	Brass
2	Sealing Washer	Rubber
3	Stopper	Brass
4	Spring	Stainless Steel
5	O-Ring	Rubber
6	Adjuster	Brass
7	O-Ring	Rubber
8	Adjuster Seat	Brass
9	Cartridge Sleeve	Zinc
10	Cartridge	Ceramic
11	Cartridge Lock Nut	Brass
12	Trim Cap	Plastic
13	Protective Kit	Plastic
14	Screw	Stainless Steel
15	Escutcheon	Stainless Steel
16	Sealing Ring	Rubber
17	Sealing Ring	Rubber
18	Handle	Zinc
19	Set Screw	Stainless Steel
20	Button	Plastic
21	Allen Key	Steel
22	Screw	Stainless Steel
23	O-Ring	Rubber
24	Tub Spout	Zinc
25	Shower Arm Flange	Stainless Steel
26	Shower Arm	Stainless Steel
27	Shower Head	Plastic

Cartridge (Type F)



Technical Support: warranty@cmiproduct.com
 Hour of Operation: Mon - Fri 8:30 a.m - 5:00 p.m. EST

Grand - Single Handle Lavatory Faucet



- * Single Hole or 3 Hole Installation
- * Includes Brass Pop-up Drain
- * 3-1/2" High and 4-7/16" Long One Piece Solid Cast Brass Spout, Zinc Handle, Stainless Steel Deck Plate
- * Copper Waterway Construction with 1/2" -14 NPSM Connection
- * Premium Grade Ceramic Cartridge (Type N)
- * Flow Rate: 1.2GPM
- * 100% Pressure System Tested

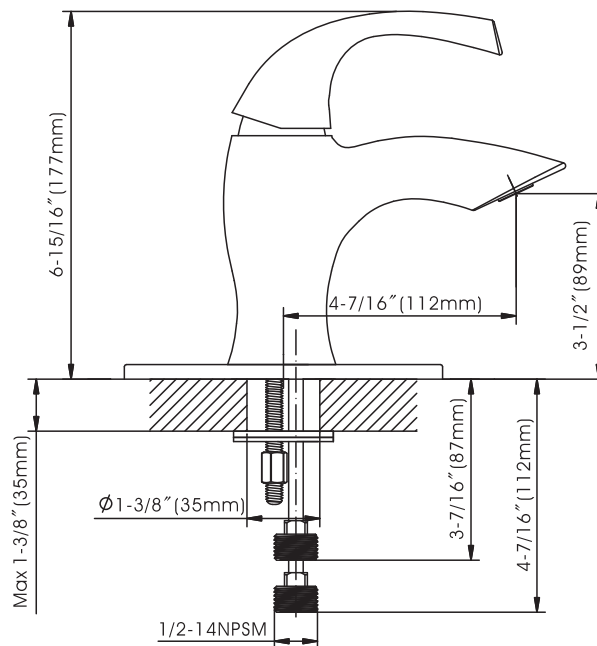


Model No. :

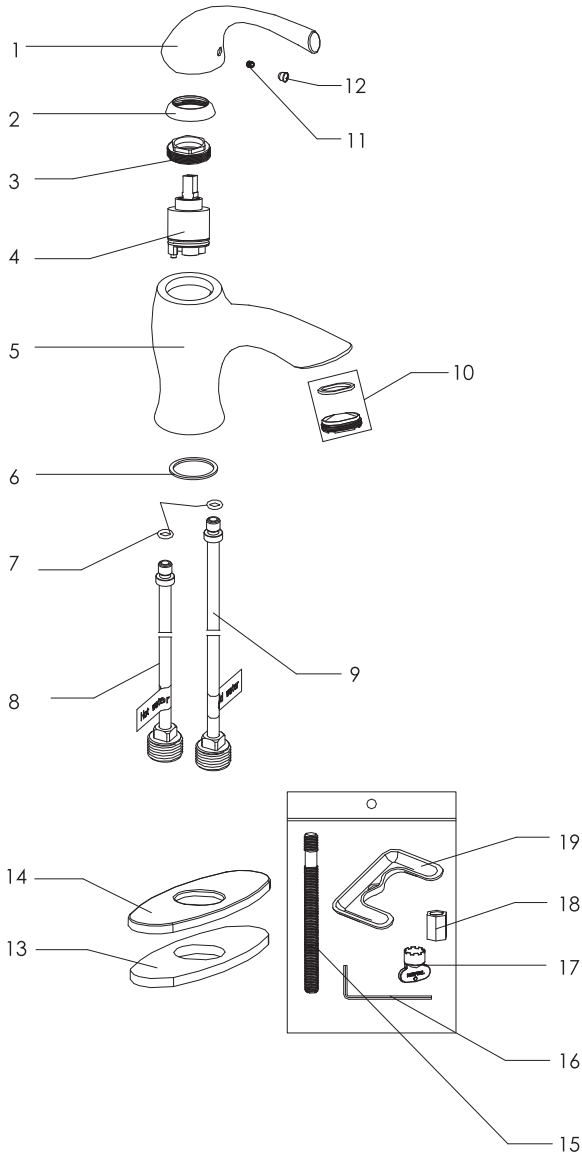
192-5883 (Polished Chrome)

192-5884 (Brushed Nickel **Spotless PVD**)

192-5885 (Oil-Rubbed Bronze)



Grand - Single Handle Lavatory Faucet



Model No. :

192-5883 (Polished Chrome)

192-5884 (Brushed Nickel **Spotless PVD**)

192-5885 (Oil-Rubbed Bronze)

No.	Part Name	Material
1	Handle	Zinc
2	Trim Cap	Plastic
3	Cartridge Lock Nut	Brass
4	Cartridge	Ceramic
5	Body	Brass
6	Wearing Ring	Rubber
7	O-Ring	Rubber
8	Copper Tube	Brass
9	Copper Tube	Brass
10	Aerator	Plastic+Rubber
11	Set Screw	Stainless Steel
12	Index	Plastic
13	Putty Plate	Sponge
14	Deck Plate	Stainless Steel
15	Bolt	Stainless Steel
16	Allen Key	Stainless Steel
17	Aerator Wrench	Plastic
18	Lock Nut	Brass
19	Clamp	Stainless Steel

Cartridge (Type N)



Technical Support: warranty@cmiproduct.com
 Hour of Operation: Mon - Fri 8:30 a.m - 5:00 p.m. EST

Grand - Two Handle Lavatory Faucet

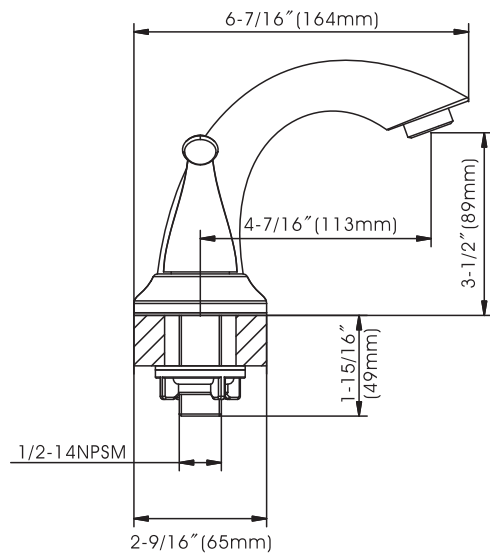
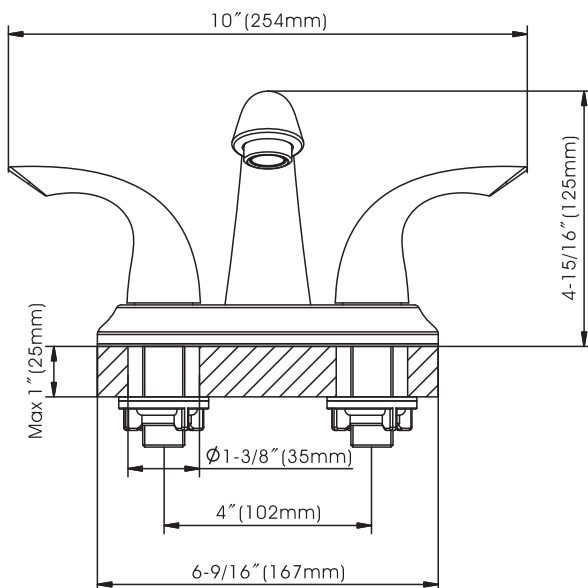


- * 4" Center-set, 3 Hole Installation
- * Includes Brass Pop-up Drain
- * 3-1/2" High and 4-3/8" Long One Piece Solid Cast Brass Spout, Zinc Handle, Zinc Deck Plate
- * Solid Brass Waterway Construction with 1/2" -14 NPSM Connection
- * 1/4 Turn Premium Grade Ceramic Cartridges (Type I)
- * Flow Rate: 1.2GPM
- * 100% Pressure System Tested

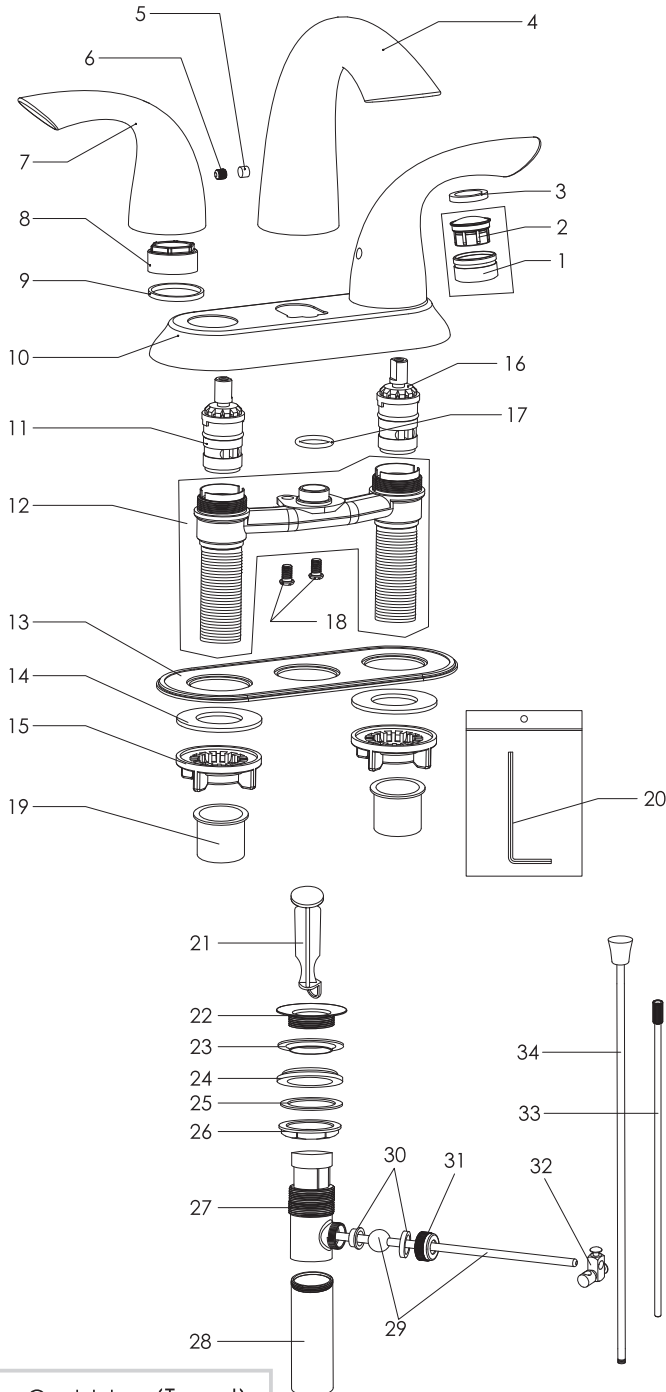


Model No. :

201-6592 (Polished Chrome) 201-6593 (Brushed Nickel Spotless PVD) 201-6594 (Oil-Rubbed Bronze)



Grand - Two Handle Lavatory Faucet



Model No. :

201-6592 (Polished Chrome)

201-6593 (Brushed Nickel **Spotless PVD**)

201-6594 (Oil-Rubbed Bronze)

No.	Part Name	Material
1	Aerator Collar	Brass
2	Aerator Core	Plastic
3	Washer	Rubber
4	Spout	Brass
5	Button	Rubber
6	Set Screw	Stainless Steel
7	Handle	Zinc
8	Cartridge Lock Nut	Zinc
9	Plastic Washer	Plastic
10	Deck Plate	Zinc
11	Cartridge(Hot Water)	Ceramic
12	Brazed Underbody	Brass
13	Putty Plate	Plastic
14	Washer	Rubber
15	Plastic Lock Nut	Plastic
16	Cartridge(Cold Water)	Ceramic
17	O-Ring	Rubber
18	Screw	Stainless Steel
19	Protective Sleeve	Plastic
20	Allen Key	Steel
21	Drain Stopper	Plastic+Brass
22	Flange	Brass
23	Top Rubber Washer	Rubber
24	Bottom Rubber Washer	Rubber
25	Washer	Plastic
26	Lock Nut	Zinc
27	Drain Body	Brass
28	Tailpiece	Stainless Steel
29	Horizontal Rod	Plastic+Stainless Steel
30	Rod Ball Plastic Gasket	Plastic
31	Rod Guide Nut	Brass
32	Fittings	Brass
33	Extend Rod	Stainless Steel
34	Lift Rod	Brass

Cartridge (Type I)



Technical Support: warranty@cmiproduct.com
 Hour of Operation: Mon - Fri 8:30 a.m - 5:00 p.m. EST

Grand - Wide Spread Lavatory Faucet



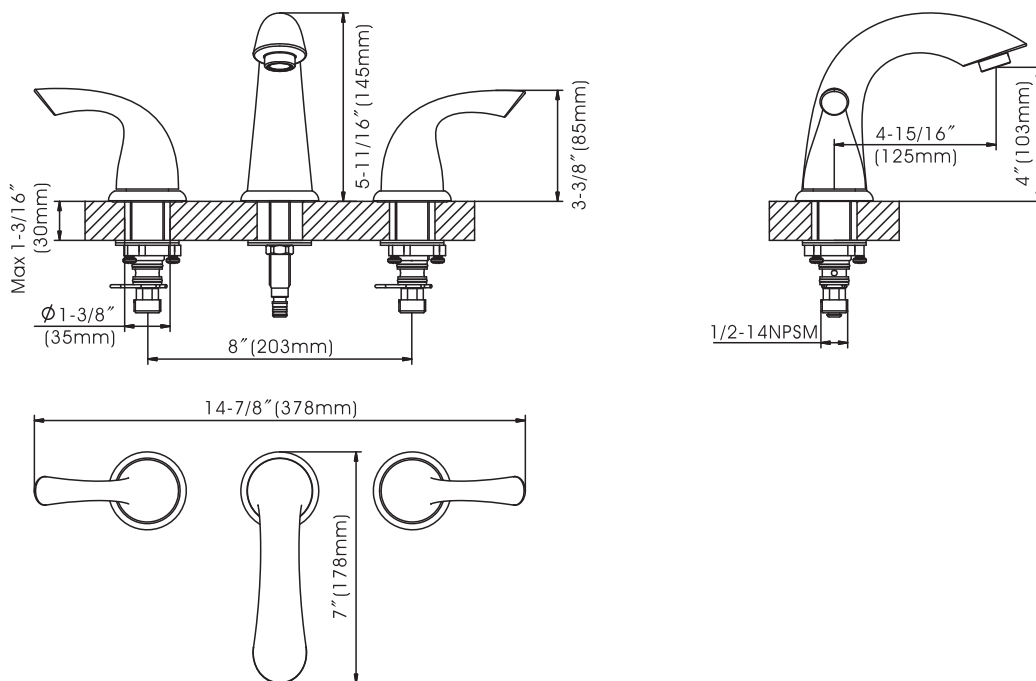
- * Wide Spread 6" - 10" Center-set, 3 Hole Installation
- * Includes Brass Pop-up Drain
- * 4" High and 5" Long One Piece Solid Cast Brass Spout, Zinc Handle
- * Solid Brass Waterway Construction with 1/2" - 14 NPSM Connection
- * "Quick Connect" Type Connection Hose
- * 1/4 Turn Premium Grade Ceramic Cartridges (Type J)
- * Flow Rate: 1.2GPM
- * 100% Pressure System Tested



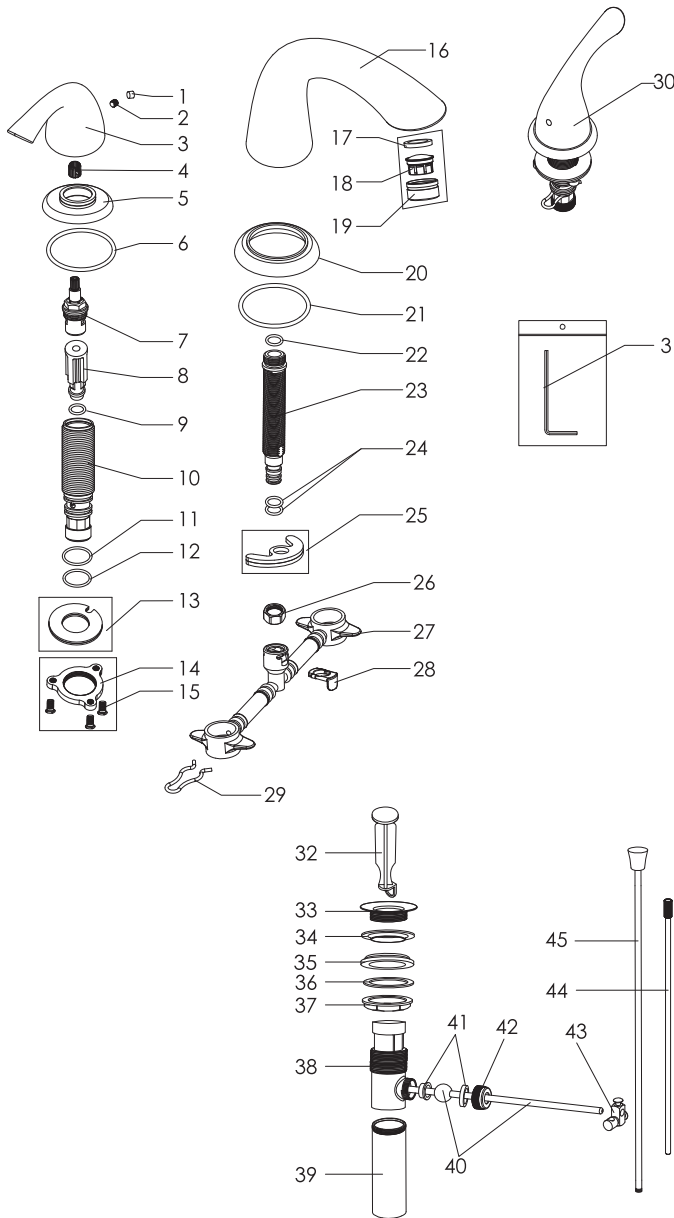
Shown Model : 201-6595

Model No. :

201-6595 (Polished Chrome) 201-6596 (Brushed Nickel *Spotless PVD*) 201-6597 (Oil-Rubbed Bronze)



Grand - Wide Spread Lavatory Faucet



Model No. :

201-6595 (Polished Chrome)

201-6596 (Brushed Nickel **Spotless PVD**)

201-6597 (Oil-Rubbed Bronze)

No.	Part Name	Material
1	Button	Rubber
2	Set Screw	Stainless Steel
3	Handle	Zinc
4	Handle Adapter	Plastic
5	Handle Flange	Brass
6	O-Ring	Rubber
7	Cartridge(Hot Water)	Brass
8	Cartridge Seat	Plastic
9	O-Ring	Rubber
10	Brass Valve Body	Brass
11	O-Ring	Rubber
12	O-Ring	Rubber
13	Clamp	Rubber+Stainless Steel
14	Lock Nut	Zinc
15	Screw	Stainless Steel
16	Spout	Brass
17	Aerator Washer	Rubber
18	Aerator Core	Plastic
19	Aerator Collar	Brass
20	Spout Flange	Zinc
21	O-Ring	Rubber
22	O-Ring	Rubber
23	Inlet	Brass
24	O-Ring	Rubber
25	Clamp	Rubber+Stainless Steel
26	Locknut	Brass
27	Quick Connect Hose	Plastic
28	Plastic Lock Ring	Plastic
29	Clip	Stainless Steel
30	Cartridge(Cold Water)	Brass
31	Allen Key	Stainless Steel
32	Drain Stopper	Plastic+Brass
33	Flange	Brass
34	Top Rubber Washer	Rubber
35	Bottom Rubber Washer	Rubber
36	Washer	Plastic
37	Lock Nut	Zinc
38	Drain Body	Brass
39	Tailpiece	Stainless Steel
40	Horizontal Rod	Plastic+Stainless Steel
41	Rod Ball Plastic Gasket	Plastic
42	Rod Guide Nut	Brass
43	Fittings	Brass
44	Extend Rod	Stainless Steel
45	Lift Rod	Brass

Cartridge (Type J)



Technical Support: warranty@cmiproduct.com
 Hour of Operation: Mon - Fri 8:30 a.m - 5:00 p.m. EST

Grand - Single Handle Pull-down Kitchen Faucet



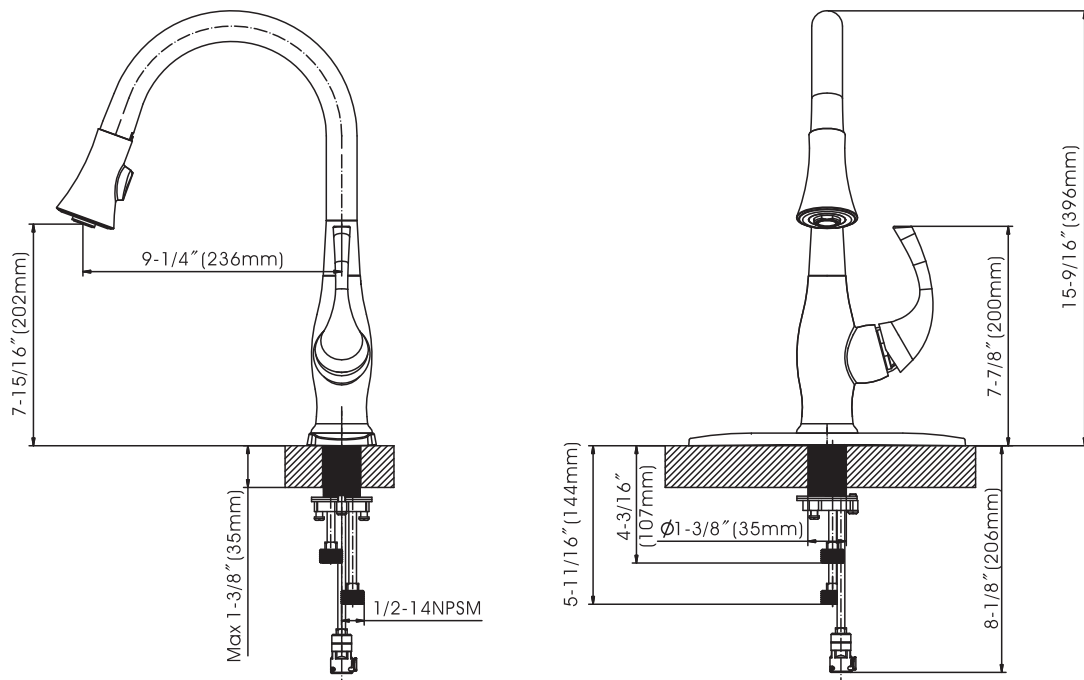
- * Includes Stainless Steel Deck Plate for 1 or 3 Holes Installation
- * 6" - 8" Center-set, 360° Swing Stainless Steel Tube Spout, Zinc Handle
- * Matching Two Function Plastic Pull-down Sprayer
- * Copper Waterway Construction with 1/2" -14 NPSM Connection
- * Premium Grade Ceramic Cartridge (Type G)
- * 60" Quick Connect Flexible Nylon Hose
- * Screw On Weight
- * Flow Rate: 1.8GPM
- * 100% Pressure System Tested



Shown Model : 191-6601

Model No. :

191-6600 (Polished Chrome) 191-6601 (Brushed Nickel **Spotless PVD**) 191-6639 (Oil-Rubbed Bronze)



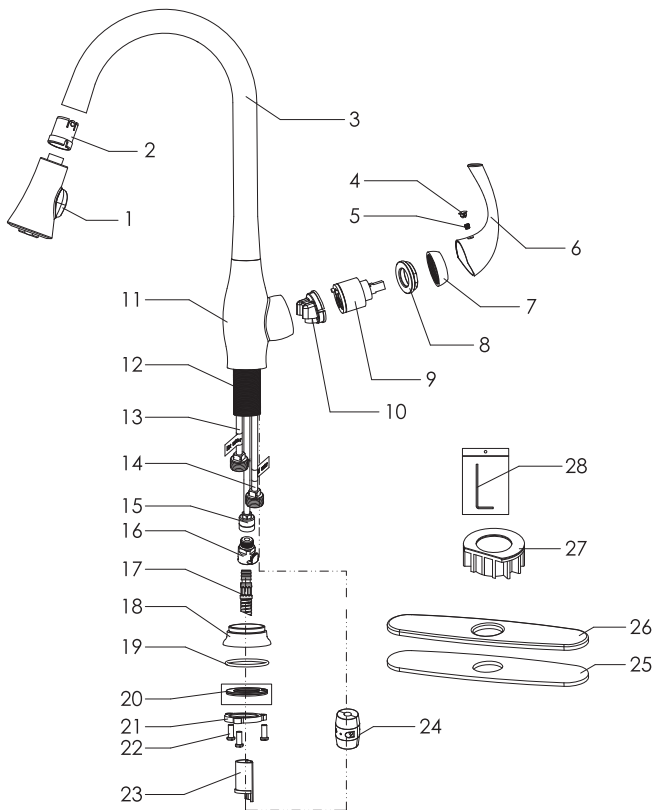
Grand - Single Handle Pull-down Kitchen Faucet

Model No. :

191-6600 (Polished Chrome)

191-6601 (Brushed Nickel *Spotless PVD*)

191-6639 (Oil-Rubbed Bronze)



No.	Part Name	Material
1	Spray	Plastic
2	Hose Guide	Plastic
3	Spout	Stainless Steel
4	Index	Plastic
5	Set Screw	Stainless Steel
6	Handle	Zinc
7	Trim Cap	Plastic
8	Cartridge Lock Nut	Brass
9	Cartridge	Ceramic
10	Cartridge Seat	Brass
11	Body	Zinc
12	Shank	Stainless Steel
13	Copper Tube	Brass
14	Copper Tube	Brass
15	Copper Tube	Brass
16	Quick Connect Assembly	Plastic
17	Pull-Down Hose	Nylon
18	Hub Base	Zinc
19	O-Ring	Rubber
20	Clamp	Rubber+Stainless Steel
21	Lock Nut	Zinc
22	Screw	Stainless Steel
23	Protective Sleeve	Plastic
24	Weight	Plastic+Steel
25	Putty Plate	Sponge
26	Deck Plate	Stainless Steel
27	Plastic Base	Plastic
28	Allen Key	Steel

Cartridge (Type G)



Technical Support: warranty@cmiproduct.com
 Hour of Operation: Mon - Fri 8:30 a.m - 5:00 p.m. EST

Grand - Two Handle Bar Faucet



- * 4" Centerset, 2 Hole Installation
- * 7-11/16" High and 4-9/16" Long Stainless Steel Tube Spout, Zinc Handle, Stainless Steel Deck Plate
- * Brass Waterway Construction with 1/2" -14 NPSM Connection
- * 1/4 Turn Premium Grade Ceramic Cartridges (Type I)
- * Sleek and Functional Two-Handle Design
- * 1/2" IPS Connections
- * Flow Rate: 1.8GPM
- * 100% Pressure System Tested

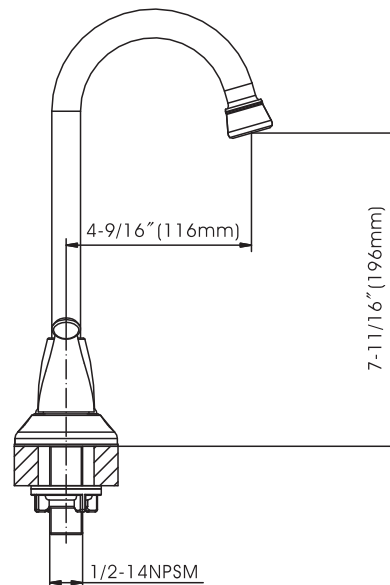
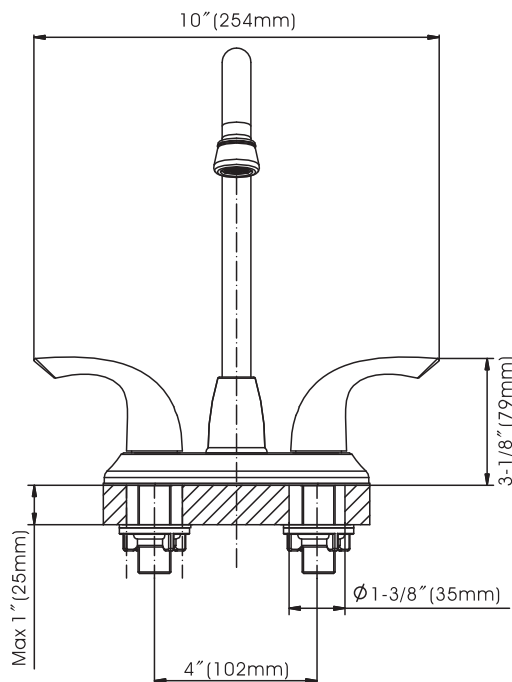


Model No. :

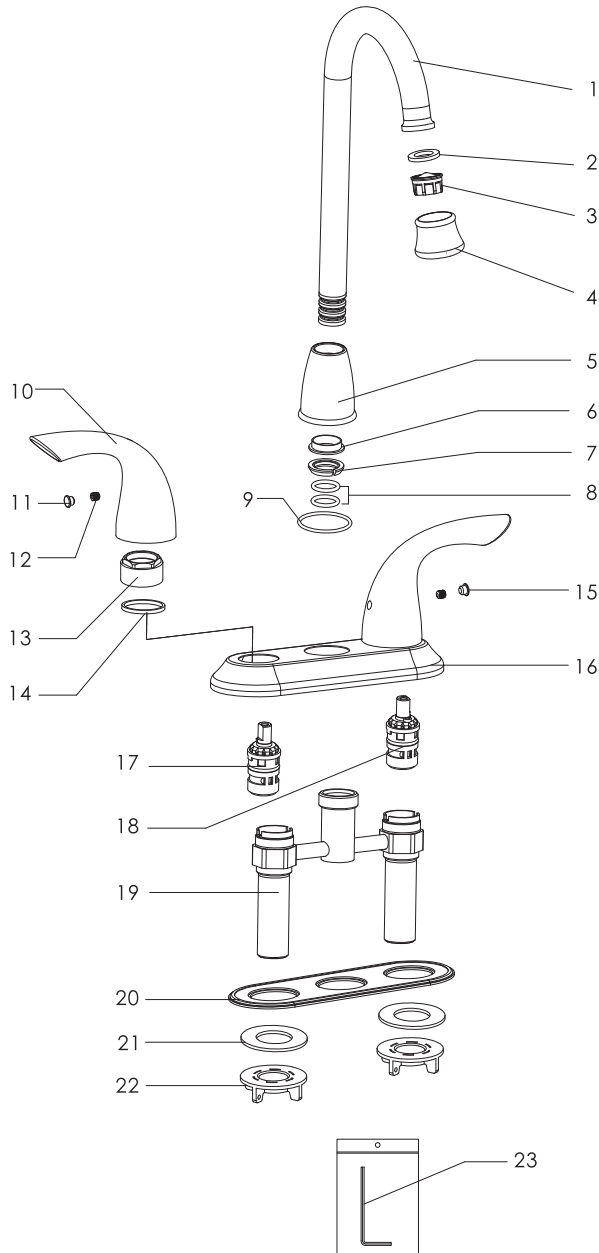
192-5886 (Polished Chrome)

192-5887 (Brushed Nickel Spotless PVD)

192-5888 (Oil-Rubbed Bronze)



Grand - Two Handle Bar Faucet



Model No. :

192-5886 (Polished Chrome)

192-5887 (Brushed Nickel **Spotless** PVD)

192-5888 (Oil-Rubbed Bronze)

No.	Part Name	Material
1	Spout	Stainless Steel
2	Aerator Washer	Rubber
3	Aerator Core	Plastic
4	Aerator Collar	Brass
5	Spout Nut	Zinc
6	Protective Sleeve	Plastic
7	Wearing Ring	Plastic
8	O-Ring	Rubber
9	O-Ring	Rubber
10	Handle	Zinc
11	Index(Hot)	Rubber
12	Set Screw	Stainless Steel
13	Cartridge Lock Nut	Zinc
14	Washer	Plastic
15	Index(Cold)	Rubber
16	Deck Plate	Stainless Steel
17	Cartridge(Hot Water)	Ceramic
18	Cartridge(Cold Water)	Ceramic
19	Brazed Underbody	Brass
20	Putty Plate	Plastic
21	Washer	Rubber
22	Plastic Lock Nut	Plastic
23	Allen Key	Steel

Cartridge (Type I)



Technical Support: warranty@cmiproduct.com
 Hour of Operation: Mon - Fri 8:30 a.m - 5:00 p.m. EST

Grand - Wide Spread Roman Tub Faucet

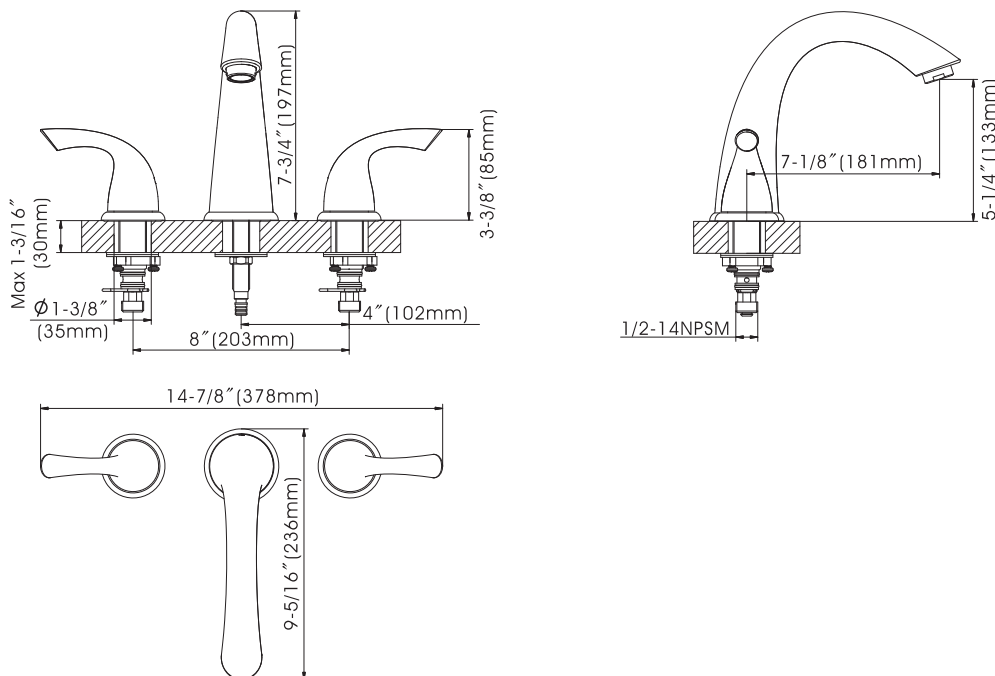


- * 7-3/4" High and 7-1/8" Long One Piece Solid Cast Brass Spout, Zinc Handle
- * Solid Brass Waterway Construction with 1/2" -14 NPSM Connection
- * 1/4 Turn Premium Grade High Flow Rate Ceramic Cartridges (Type K)
- * Brass Tube Spout, Zinc Handle
- * Flow Rate: 4.0GPM
- * 100% Pressure System Tested

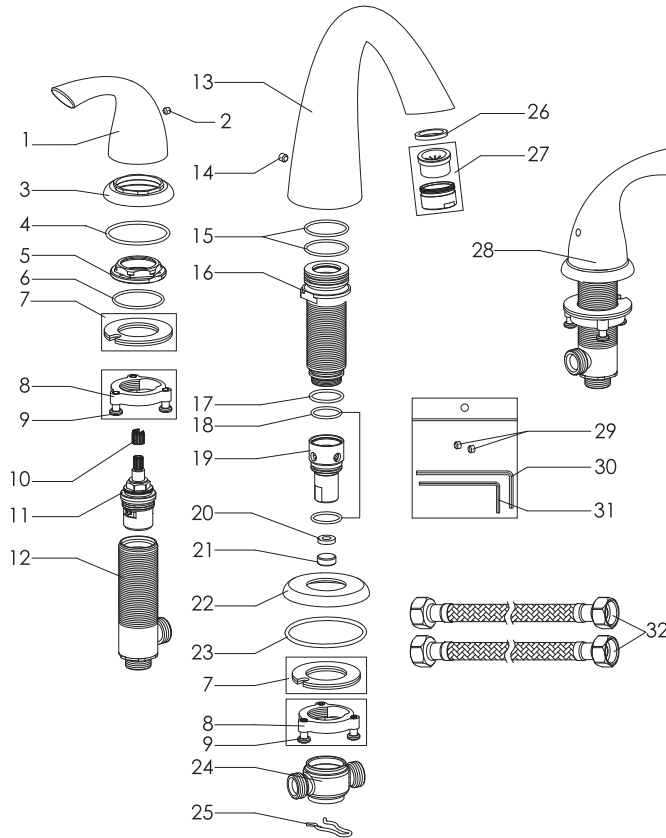


Model No. :

211-6602 (Polished Chrome) 211-6603 (Brushed Nickel Spotless PVD) 211-6604 (Oil-Rubbed Bronze)



Grand - Wide Spread Roman Tub Faucet



Model No. :

211-6602 (Polished Chrome)

211-6603 (Brushed Nickel *Spotless PVD*)

211-6604 (Oil-Rubbed Bronze)

No.	Part Name	Material
1	Handle	Zinc
2	Set Screw	Stainless Steel
3	Handle Flange	Zinc
4	O-Ring	Rubber
5	Cartridge Lock Nut	Zinc
6	O-Ring	Rubber
7	Clamp	Rubber+Stainless Steel
8	Lock Nut	Zinc
9	Screw	Stainless Steel
10	Handle Adapter	Plastic
11	Cartridge(Hot Water)	Brass
12	Brass Valve Body	Brass
13	Spout	Brass
14	Set Screw	Stainless Steel
15	O-Ring	Rubber
16	Shank	Brass
17	O-Ring	Rubber
18	O-Ring	Rubber
19	Diverter	Brass
20	Washer	Rubber
21	End Cap	Brass
22	Spout Flange	Zinc
23	O-Ring	Rubber
24	Spout Brass Tee	Brass
25	Clip	Stainless Steel
26	Aerator Washer	Rubber
27	Aerator	Plastic+Brass
28	Cartridge(Cold Water)	Brass
29	Button	Rubber
30	Allen Key	Steel
31	Allen Key	Steel
32	Connect Hose	Stainless Steel

Cartridge (Type K)



Technical Support: warranty@cmiproduct.com
 Hour of Operation: Mon - Fri 8:30 a.m - 5:00 p.m. EST

Grand - Single Handle Pressure Balanced Tub & Shower Set

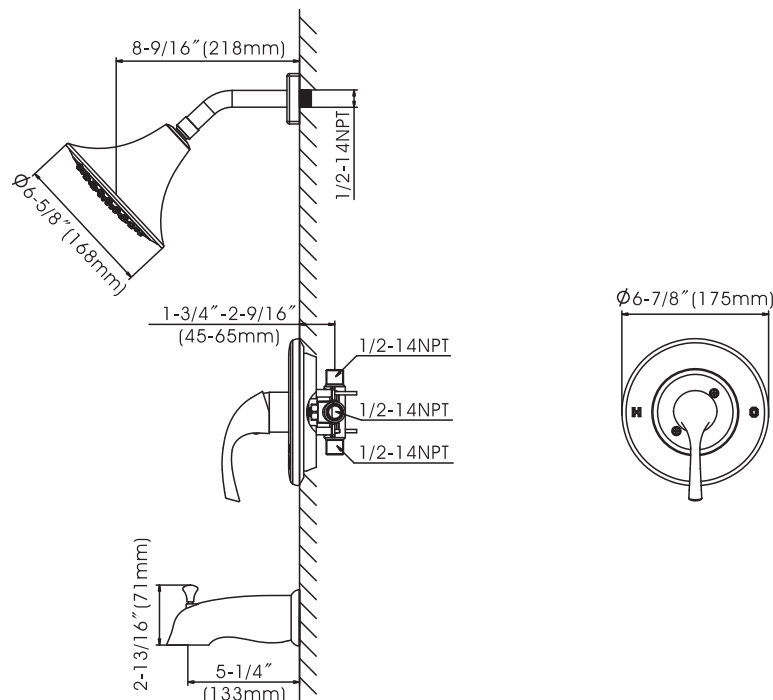


- * Pressure Balanced & Ceramic (Type D)
- * Solid Brass Waterway Construction with 1/2" -14 NPT Connection
- * Integral Stops, Diverter Tub Spout
- * 6-1/2" Single Function Plastic Shower Head with Zinc Handle
- * Stainless Steel Shower Arm
- * Stainless Steel Round Plate
- * Zinc Die Cast Tub Spout
- * Shower Head Flow Rate: 1.5GPM
- * 100% Pressure System Tested

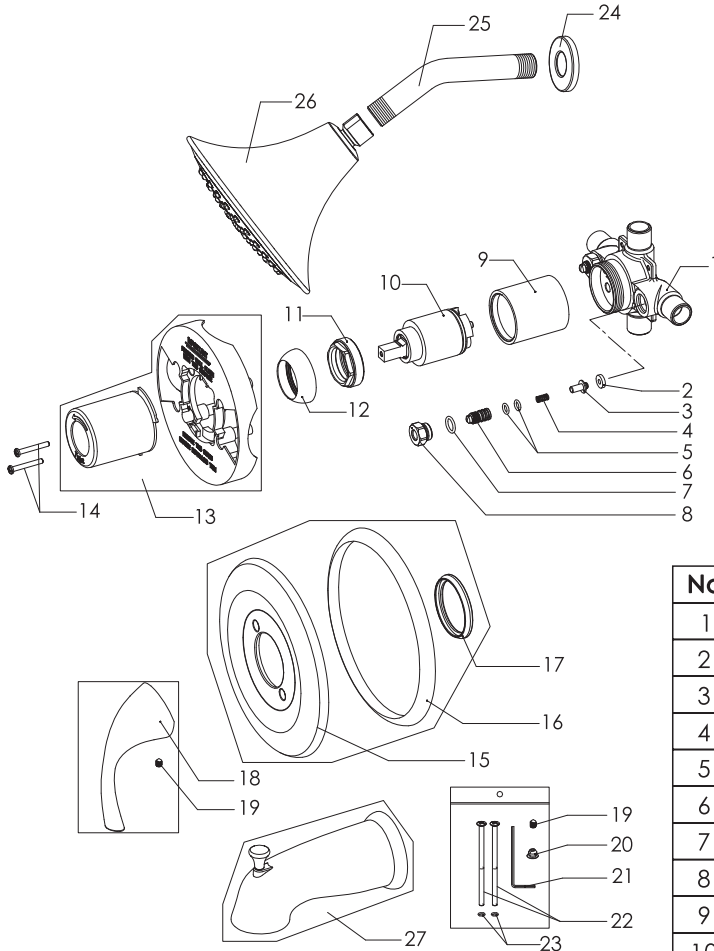


Model No. :

211-6605 (Polished Chrome) 211-6606 (Brushed Nickel *Spotless PVD*) 211-6607 (Oil-Rubbed Bronze)



Grand - Single Handle Pressure Balanced Tub & Shower Set



Model No. :

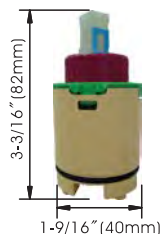
211-6605 (Polished Chrome)

211-6606 (Brushed Nickel *Spotless* PVD)

211-6607 (Oil-Rubbed Bronze)

No.	Part Name	Material
1	Valve Body	Brass
2	Sealing Wahser	Rubber
3	Stopper	Brass
4	Spring	Stainless Steel
5	O-Ring	Rubber
6	Adjuster	Brass
7	O-Ring	Rubber
8	Adjuster Seat	Brass
9	Cartridge Sleeve	Zinc
10	Cartridge	Ceramic
11	Cartridge Lock Nut	Brass
12	Trim Cap	Plastic
13	Protective Kit	Plastic
14	Screw	Stainless Steel
15	Escutcheon	Stainless Steel
16	Sealing Ring	Rubber
17	Sealing Ring	Rubber
18	Handle	Zinc
19	Set Screw	Stainless Steel
20	Button	Plastic
21	Allen Key	Steel
22	Screw	Stainless Steel
23	O-Ring	Rubber
24	Shower Arm Flange	Stainless Steel
25	Shower Arm	Stainless Steel
26	Shower Head	Plastic
27	Tub Spout	Zinc

Cartridge (Type D)



Technical Support: warranty@cmiproduct.com
 Hour of Operation: Mon - Fri 8:30 a.m - 5:00 p.m. EST

Majestic - Single Handle Lavatory Faucet



- * Single Hole or 3 Hole Installation
- * Includes Brass Pop-up Drain
- * 4-1/4" High and 4-7/8" Long One Piece Solid Cast Brass Spout, Zinc Handle, Stainless Steel Deck Plate
- * Copper Waterway Construction with 1/2" -14 NPSM Connection
- * Premium Grade Ceramic Cartridge (Type E)
- * Flow Rate: 1.2GPM
- * 100% Pressure System Tested



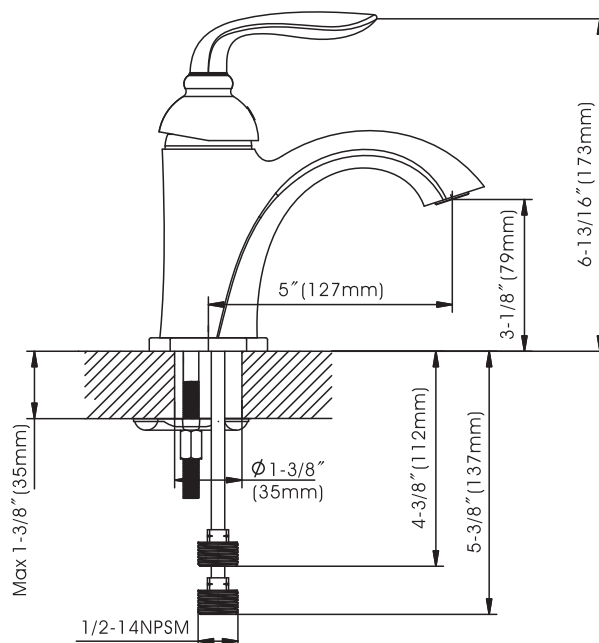
Shown Model : 192-5890

Model No. :

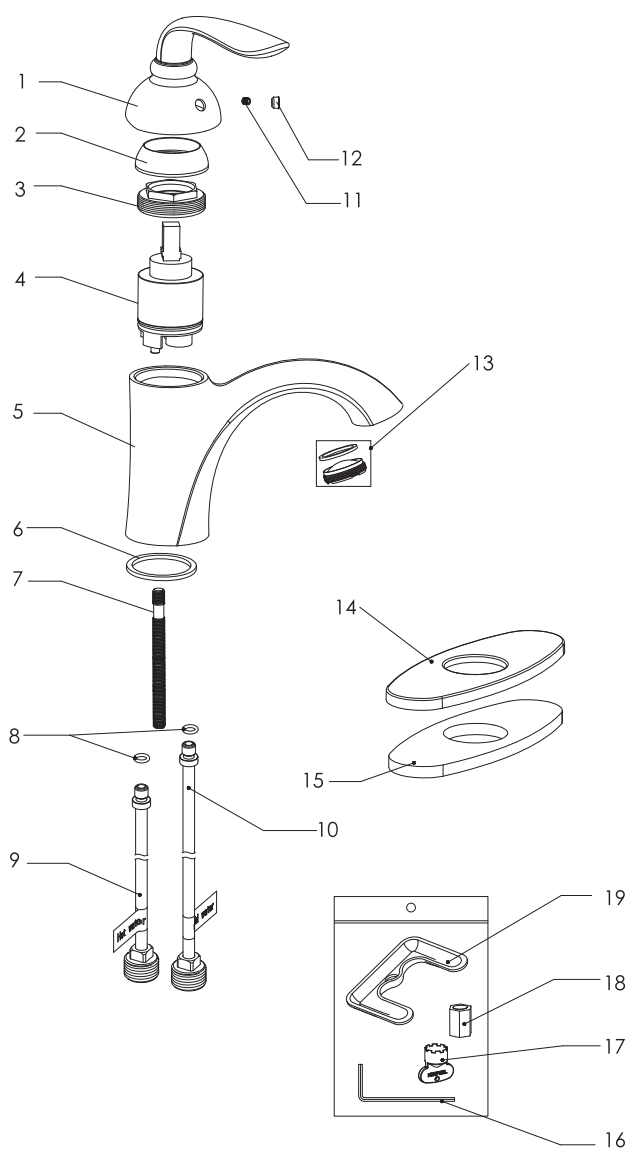
192-5889 (Polished Chrome)

192-5890 (Brushed Nickel Spotless PVD)

192-5891 (Oil-Rubbed Bronze)



Majestic - Single Handle Lavatory Faucet



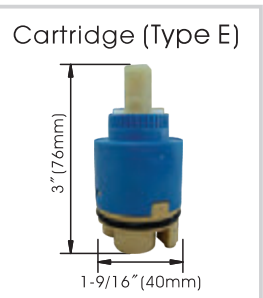
Model No. :

192-5889 (Polished Chrome)

192-5890 (Brushed Nickel **Spotless** PVD)

192-5891 (Oil-Rubbed Bronze)

No.	Part Name	Material
1	Handle	Zinc
2	Trim Cap	Plastic
3	Cartridge Lock Nut	Brass
4	Cartridge	Ceramic
5	Body	Brass
6	Wearing Ring	Rubber
7	Bolt	Stainless Steel
8	O-Ring	Rubber
9	Copper Tube	Brass
10	Copper Tube	Brass
11	Set Screw	Stainless Steel
12	Index	Plastic
13	Aerator	Plastic+Rubber
14	Deck Plate	Stainless Steel
15	Putty Plate	Sponge
16	Allen Key	Steel
17	Aerator Wrench	Plastic
18	Lock Nut	Brass
19	Clamp	Stainless Steel



Technical Support: warranty@cmiproduct.com
 Hour of Operation: Mon - Fri 8:30 a.m - 5:00 p.m. EST

Majestic - Two Handle Lavatory Faucet



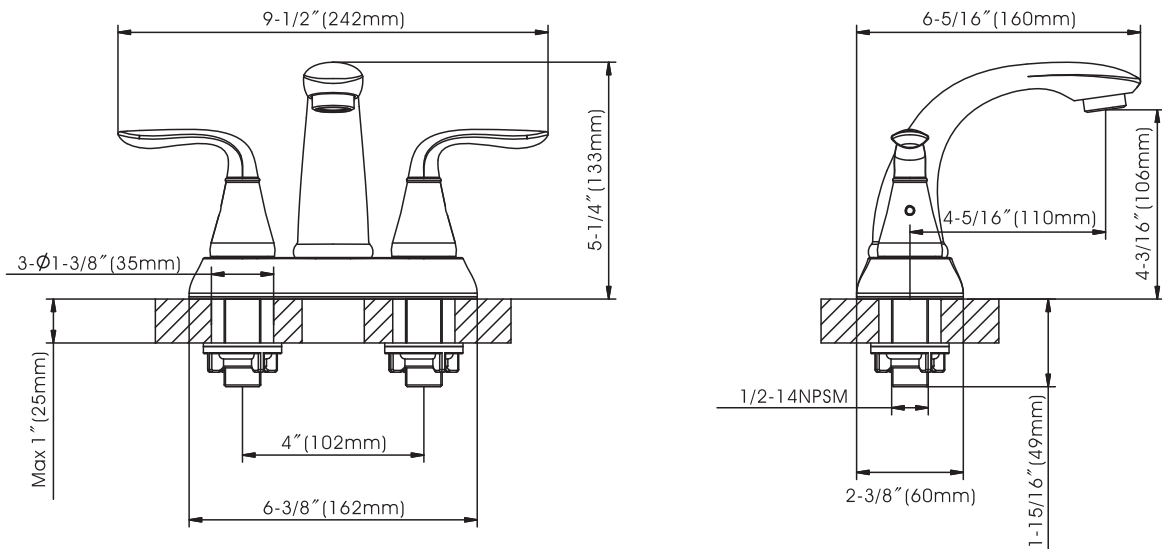
- * 4" Center-set, 3 Hole Installation
- * Includes Brass Pop-up Drain
- * 4-1/4" High and 4-1/4" Long One Piece Solid Cast Brass Spout, Zinc Handle, Zinc Deck Plate
- * Brass Waterway Construction with 1/2" -14 NPSM Connection
- * 1/4 Turn Premium Grade Ceramic Cartridges (Type I)
- * Flow Rate: 1.2GPM
- * 100% Pressure System Tested



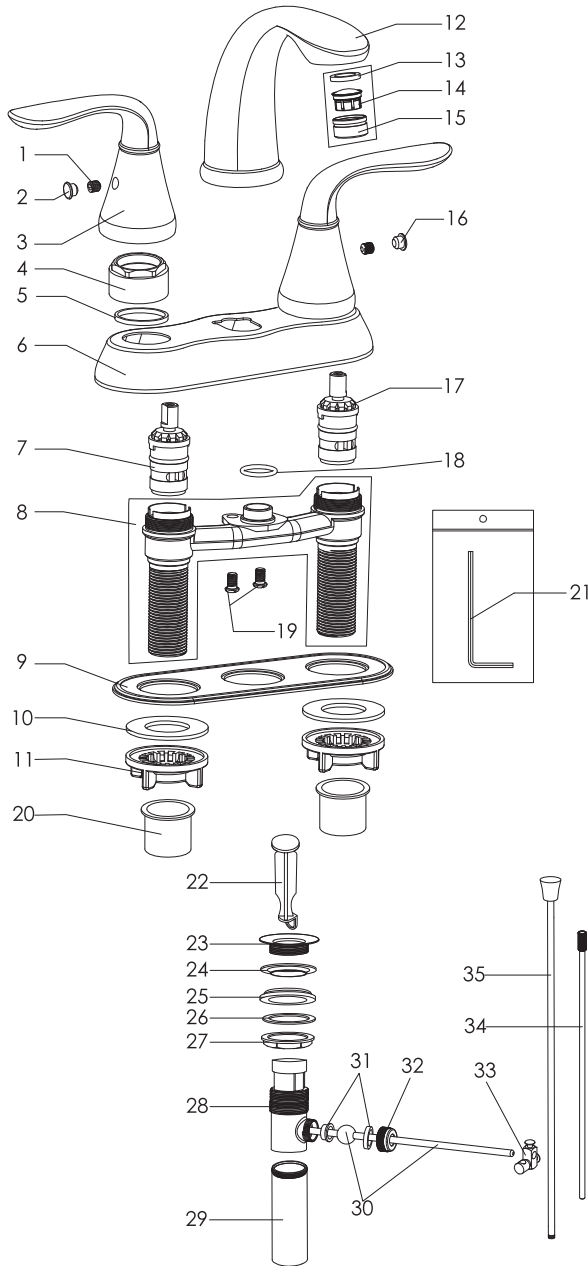
Shown Model : 201-6608

Model No. :

201-6608 (Polished Chrome) 201-6609 (Brushed Nickel Spotless PVD) 201-6610 (Oil-Rubbed Bronze)



Majestic - Two Handle Lavatory Faucet



Model No. :

201-6608 (Polished Chrome)

201-6609 (Brushed Nickel *Spotless* PVD)

201-6610 (Oil-Rubbed Bronze)

No.	Part Name	Material
1	Set Screw	Stainless Steel
2	Index(Hot)	Rubber
3	Handle	Zinc
4	Cartridge Lock Nut	Zinc
5	Washer	Plastic
6	Deck Plate	Zinc
7	Cartridge(Hot Water)	Ceramic
8	Brazed Underbody	Brass
9	Putty Plate	Plastic
10	Washer	Plastic
11	Plastic Lock Nut	Plastic
12	Spout	Brass
13	Aerator Washer	Rubber
14	Aerator Core	Plastic
15	Aerator Collar	Brass
16	Index(Cold)	Rubber
17	Cartridge(Cold Water)	Ceramic
18	O-Ring	Rubber
19	Screw	Stainless Steel
20	Protective Sleeve	Plastic
21	Allen Key	Steel
22	Drain Stopper	Plastic+Brass
23	Flange	Brass
24	Top Rubber Washer	Rubber
25	Bottom Rubber Washer	Rubber
26	Washer	Plastic
27	Lock Nut	Zinc
28	Drain Body	Brass
29	Tailpiece	Stainless Steel
30	Horizontal Rod	Plastic+Stainless Steel
31	Rod Ball Plastic Gasket	Plastic
32	Rod Guide Nut	Brass
33	Fittings	Brass
34	Extend Rod	Stainless Steel
35	Lift Rod	Brass

Cartridge (Type I)



Technical Support: warranty@cmiproduct.com
 Hour of Operation: Mon - Fri 8:30 a.m - 5:00 p.m. EST

Majestic - Wide Spread Lavatory Faucet



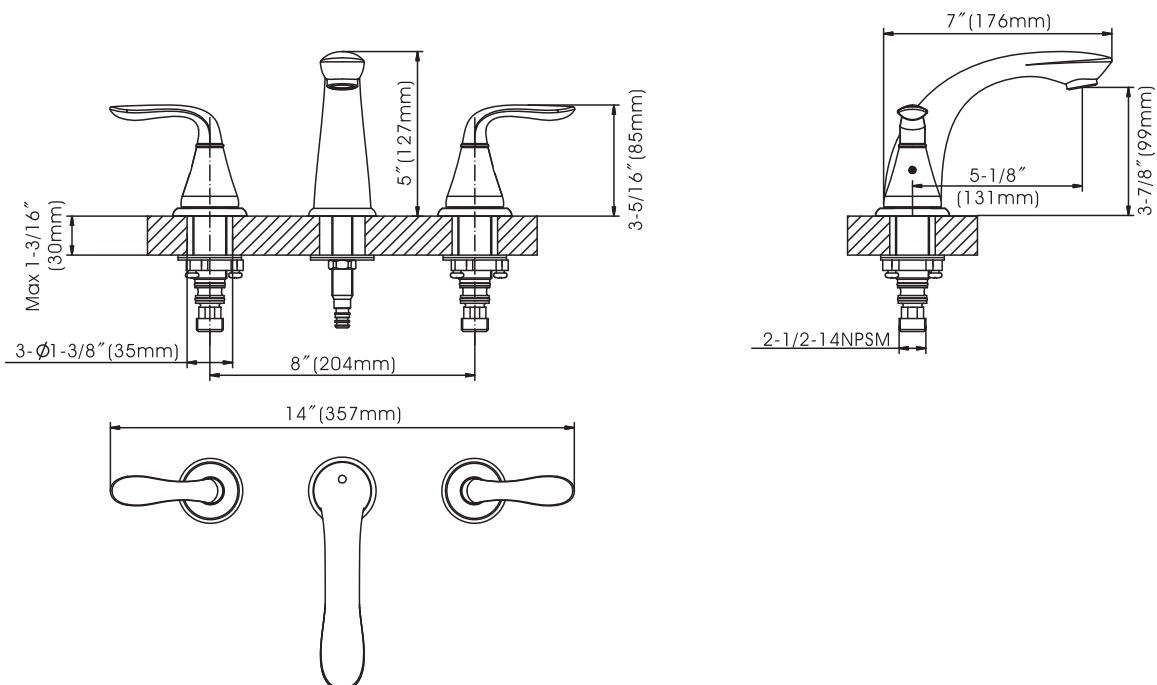
- * Wide Spread 6" -10" Center-set, 3 Hole Installation
- * Includes Brass Pop-up Drain
- * 4" High and 5" Long One Piece Solid Cast Brass Spout, Zinc Handle
- * Solid Brass Waterway Construction with 1/2" -14 NPSM Connection
- * "Quick Connect" Type Connection Hose
- * 1/4 Turn Premium Grade Ceramic Cartridges (Type J)
- * Flow Rate: 1.2GPM
- * 100% Pressure System Tested



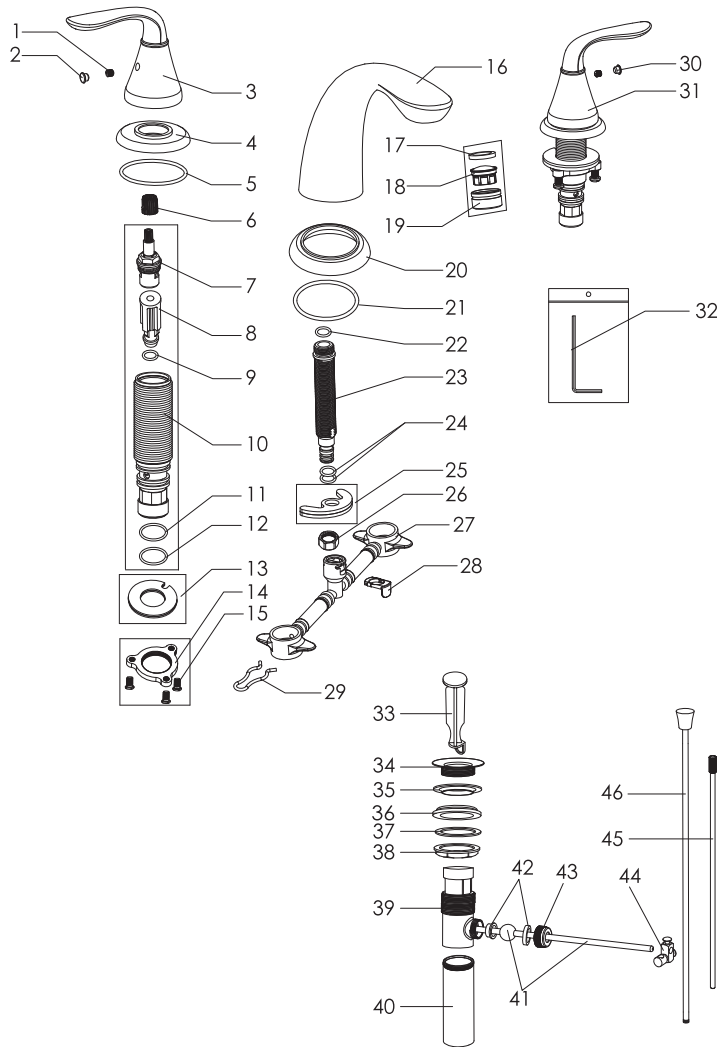
Shown Model : 201-6612

Model No. :

201-6611 (Polished Chrome) 201-6612 (Brushed Nickel *Spotless PVD*) 201-6613 (Oil-Rubbed Bronze)



Majestic - Wide Spread Lavatory Faucet



Model No. :

201-6611 (Polished Chrome)

201-6612 (Brushed Nickel **Spotless PVD**)

201-6613 (Oil-Rubbed Bronze)

No.	Part Name	Material
1	Index(Hot)	Stainless Steel
2	Set Screw	Rubber
3	Handle	Zinc
4	Handle Flange	Zinc
5	O-Ring	Rubber
6	Handle Adapter	Plastic
7	Cartridge(Hot Water)	Brass
8	Cartridge Seat	Brass
9	O-Ring	Rubber
10	Brass Valve Body	Brass
11	O-Ring	Rubber
12	O-Ring	Rubber
13	Clamp	Rubber+Stainless Steel
14	Lock Nut	Zinc
15	Screw	Stainless Steel
16	Spout	Brass
17	Aerator Washer	Rubber
18	Aerator Core	Plastic
19	Aerator Collar	Brass
20	Spout Flange	Zinc
21	O-Ring	Rubber
22	O-Ring	Rubber
23	Inlet	Brass
24	O-Ring	Rubber
25	Clamp	Rubber+Stainless Steel
26	Lock Nut	Brass
27	Quick Connect Hose	Plastic
28	Plastic Lock Ring	Plastic
29	Clip	Stainless Steel
30	Index(Cold)	Rubber
31	Cartridge(Cold Water)	Brass
32	Allen Key	Steel
33	Drain Stopper	Plastic+Brass
34	Flange	Brass
35	Top Rubber Washer	Rubber
36	Bottom Rubber Washer	Rubber
37	Washer	Plastic
38	Lock Nut	Zinc
39	Drain Body	Brass
40	Tailpiece	Stainless Steel
41	Horizontal Rod	Plastic+Stainless Steel
42	Rod Ball Plastic Gasket	Plastic
43	Rod Guide Nut	Brass
44	Fittings	Brass
45	Extend Rod	Stainless Steel
46	Lift Rod	Brass

Cartridge (Type J)



Technical Support: warranty@cmiproduct.com
 Hour of Operation: Mon - Fri 8:30 a.m - 5:00 p.m. EST

Majestic - Single Handle Kitchen Faucet With Side Spray



- * 3 Hole Installation, Matching Finish Plastic Side Sprayer
- * 9" High and 9" Long 360° Swing Stainless Steel Spout, Zinc Handle
- * Brass Waterway Construction with 1/2" -14 NPSM Connection
- * " Quick Connect " Type 49" Connection Hose
- * Premium Grade Ceramic Cartridge (Type H)
- * Flow Rate: 1.8GPM
- * 100% Pressure System Tested

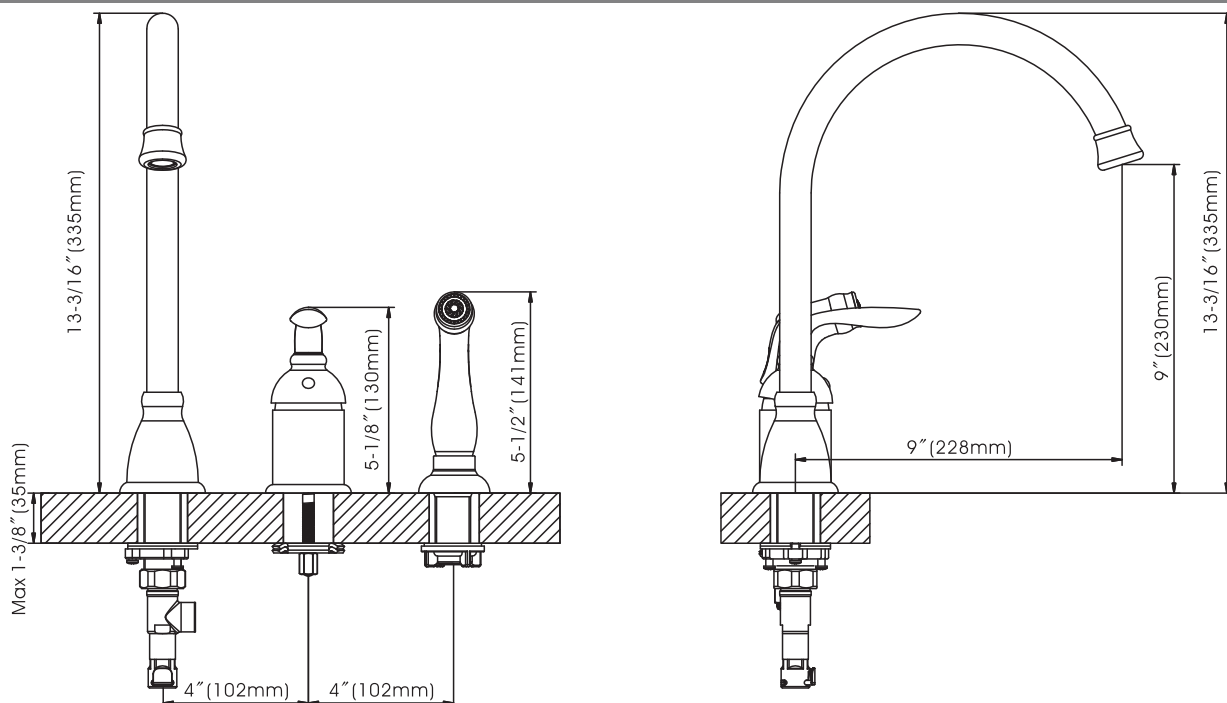


Shown Model : 191-6616

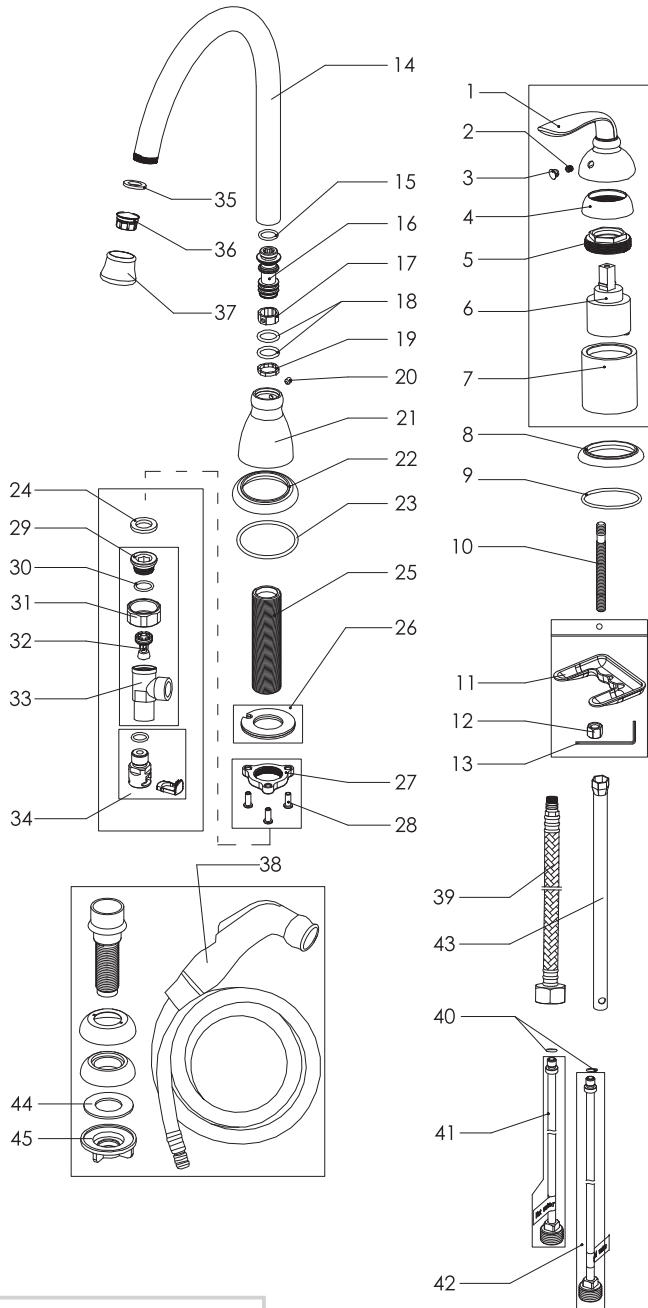


Model No. :

191-6614 (Polished Chrome) 191-6615 (Brushed Nickel Spotless PVD) 191-6616 (Oil-Rubbed Bronze)



Majestic - Single Handle Kitchen Faucet With Side Spray



Model No. :

191-6614 (Polished Chrome)

191-6615 (Brushed Nickel **Spotless PVD**)

191-6616 (Oil-Rubbed Bronze)

No.	Part Name	Material
1	Handle	Zinc
2	Set Screw	Stainless Steel
3	Index	Plastic
4	Trim Cap	Plastic
5	Cartridge LockNut	Stainless Steel
6	Cartridge	Ceramic
7	Cartridge Sleeve	Brass
8	Flange	Brass
9	O-Ring	Rubber
10	Bolt	Stainless Steel
11	Clamp	Steel
12	Locknut	Stainless Steel
13	Allen Key	Stainless Steel
14	Spout	Brass
15	O-Ring	Rubber
16	Spout Connector	Brass
17	Retainer	Plastic
18	O-ring	Rubber
19	Retainer	Plastic
20	Set Screw	Stainless Steel
21	Spout Nut	Zinc
22	Hub Base	Zinc
23	O-Ring	Plastic
24	Washer	Plastic
25	Shank	Brass
26	Clamp	Rubber+Stainless Steel
27	Locknut	Zinc
28	Screw	Stainless Steel
29	Inlet Adapter	Brass
30	O-Ring	Rubber
31	Nut	Brass
32	Diverter	Plastic+Brass
33	Diverter Seat	Brass
34	Quick Connect Assembly	Plastic
35	Aerator Washer	Rubber
36	Aerator Core	Plastic
37	Aerator Collar	Brass
38	Side Spray	Plastic
39	Connect Hose	Stainless Steel
40	O-Ring	Rubber
41	Copper Tube	Brass
42	Copper Tube	Brass
43	Socket Wrench	Steel
44	Washer	Rubber
45	Plastic Lock Nut	Plastic

Cartridge (Type H)



Technical Support: warranty@cmiproduct.com
 Hour of Operation: Mon - Fri 8:30 a.m - 5:00 p.m. EST

Majestic - Two Handle High Arc Kitchen Faucet With Side Spray



- * 8" Centerset, 4 Hole Installation
- * 14" High Arc Stainless Steel Spout, Zinc Handle, Stainless Steel DeckPlate
- * Brass Waterway Construction with 1/2" -14 NPSM Connection
- * Matching Plastic Side Sprayer With 49" Quick-Connect Hose
- * 1/4 Turn Premium Grade Ceramic Cartridges (Type I)
- * Flow Rate: 1.8GPM
- * 100% Pressure System Tested



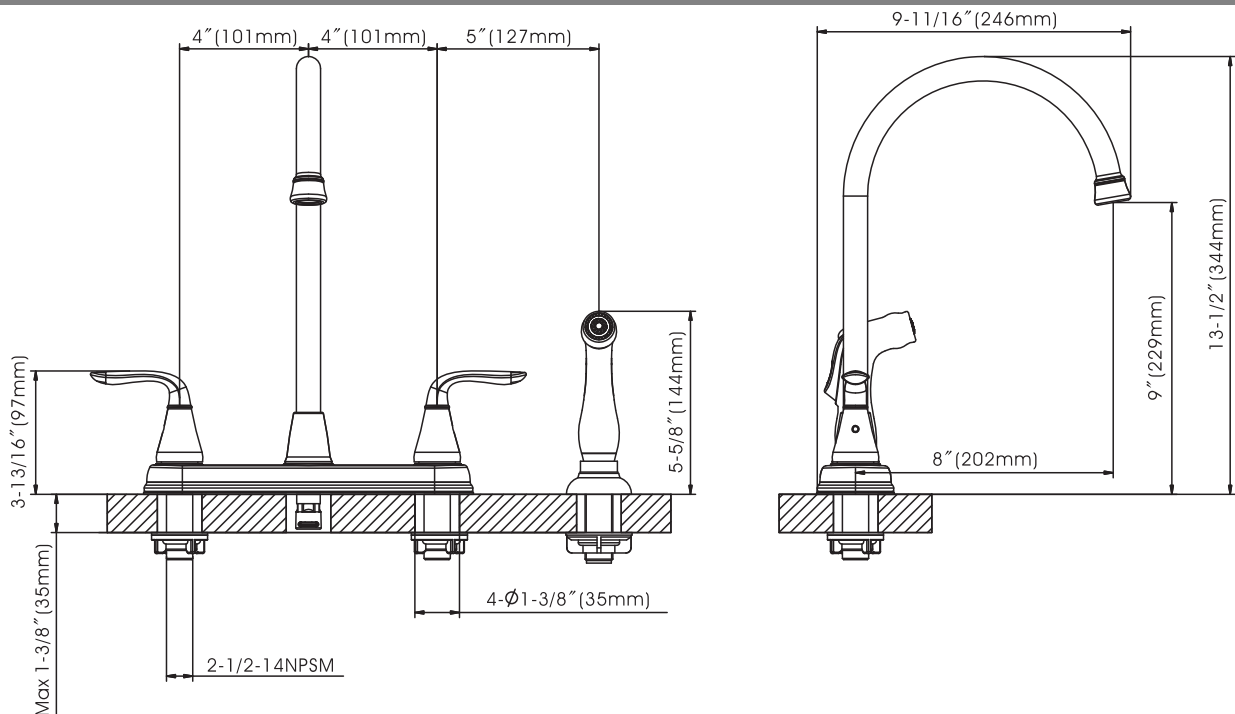
Shown Model : 191-7704

Model No. :

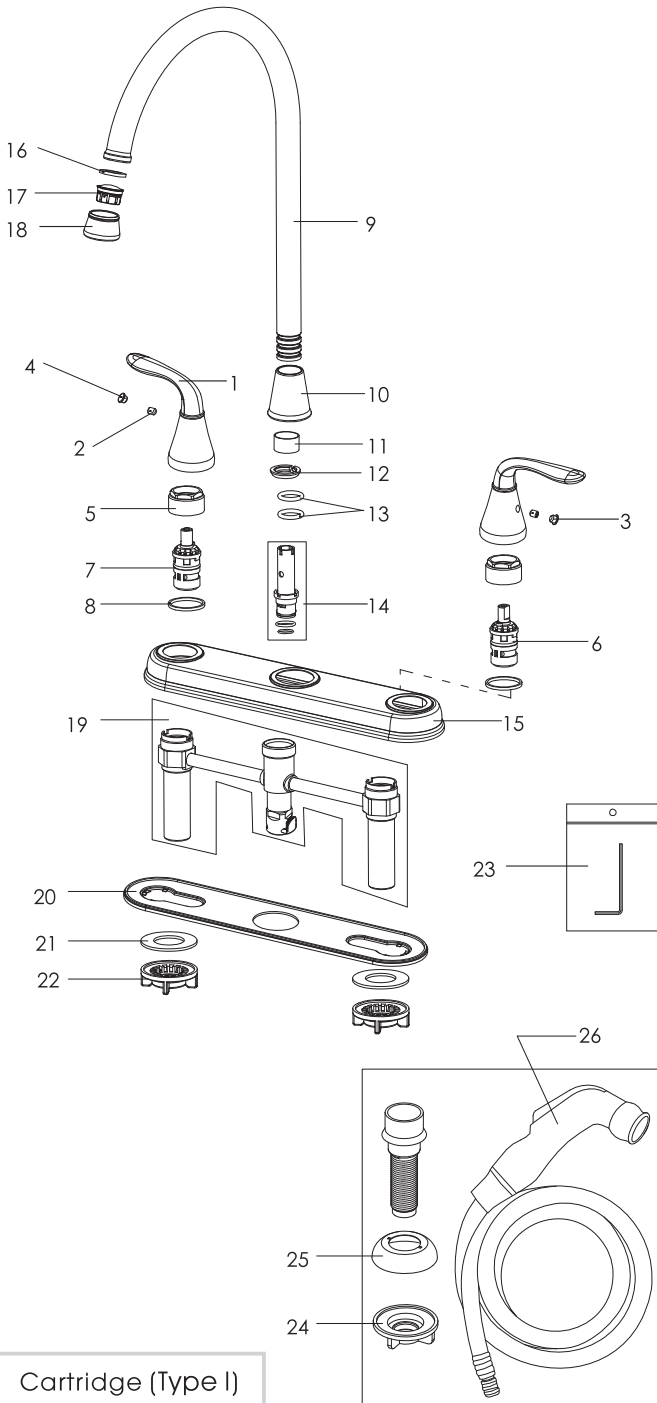
191-7703 (Polished Chrome)

191-7704 (Brushed Nickel *Spotless PVD*)

191-7705 (Oil-Rubbed Bronze)



Majestic - Two Handle High Arc Kitchen Faucet With Side Spray



Model No. :

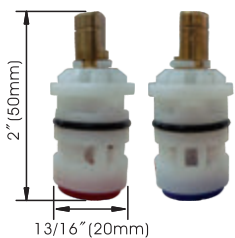
191-7703 (Polished Chrome)

191-7704 (Brushed Nickel *Spotless* PVD)

191-7705 (Oil-Rubbed Bronze)

No.	Part Name	Material
1	Handle	Zinc
2	Set Screw	Stainless Steel
3	Index(Blue)	Rubber
4	Index(Red)	Rubber
5	Cartridge Lock Nut	Zinc
6	Cartridge(Cold Water)	Ceramic
7	Cartridge(Hot Water)	Ceramic
8	Plastic Washer	Plastic
9	Spout	Stainless Steel
10	Spout Nut	Zinc
11	Protective Sleeve	Plastic
12	Wearing Ring	Plastic
13	O-Ring	Rubber
14	Diverter	Plastic+Brass
15	Deck Plate	Stainless Steel
16	Washer	Rubber
17	Aerator Core	Plastic
18	Aerator Collar	Brass
19	Brazed Underbody	Brass
20	Putty Plate	Plastic
21	Rubber Washer	Rubber
22	Plastic Nut	Plastic
23	Allen Key	Steel
24	Plastic Lock Nut	Plastic
25	Spray Gasket	Stainless Steel
26	Side Spray	Plastic

Cartridge (Type I)

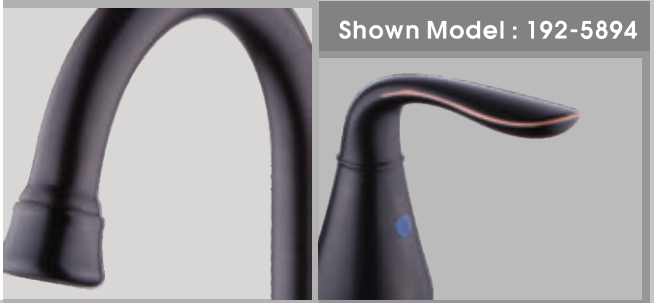


Technical Support: warranty@cmiproduct.com
 Hour of Operation: Mon - Fri 8:30 a.m - 5:00 p.m. EST

Majestic - Two Handle Bar Faucet

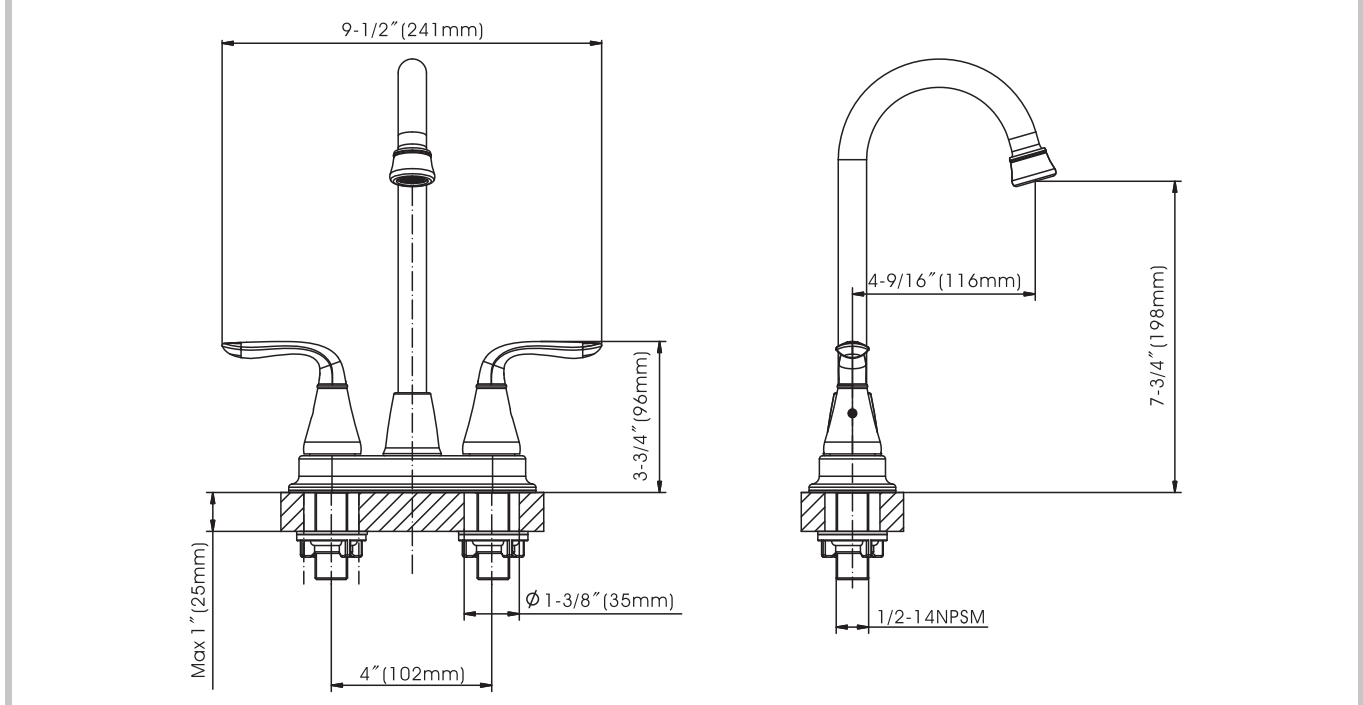


- * 4" Centerset, 2 Hole Installation
- * 7-3/4" High and 4-9/16" Long Stainless Steel Tube Spout, Zinc Handle, Stainless Steel Deck Plate
- * Brass Waterway Construction with 1/2" -14 NPSM Connection
- * 1/4 Turn Premium Grade Ceramic Cartridges (Type I)
- * Sleek and Functional Two-Handle Design
- * 1/2" IPS Connections
- * Flow Rate: 1.8GPM
- * 100% Pressure System Tested

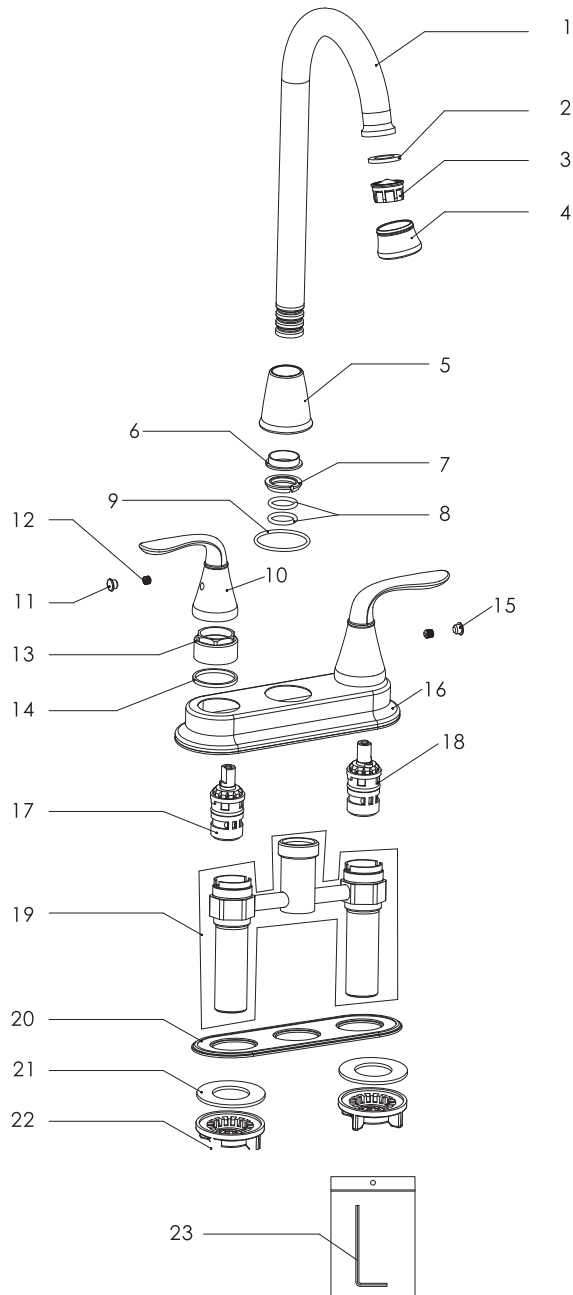


Shown Model : 192-5894

Model No. :
 192-5892 (Polished Chrome) 192-5893 (Brushed Nickel *Spotless PVD*) 192-5894 (Oil-Rubbed Bronze)



Majestic - Two Handle Bar Faucet



Model No. :

192-5892 (Polished Chrome)

192-5893 (Brushed Nickel *Spotless* PVD)

192-5894 (Oil-Rubbed Bronze)

No.	Part Name	Material
1	Spout	Stainless Steel
2	Aerator Washer	Rubber
3	Aerator Core	Plastic
4	Aerator Collar	Brass
5	Spout Nut	Zinc
6	Protective Sleeve	Plastic
7	Wearing Ring	Plastic
8	O-Ring	Rubber
9	O-Ring	Rubber
10	Handle	Zinc
11	Index(Hot)	Rubber
12	Set Screw	Stainless Steel
13	Cartridge Lock Nut	Zinc
14	Washer	Plastic
15	Index(Cold)	Rubber
16	Deck Plate	Stainless Steel
17	Cartridge(Hot Water)	Ceramic
18	Cartridge(Cold Water)	Ceramic
19	Brazed Underbody	Brass
20	Putty Plate	Plastic
21	Washer	Rubber
22	Plastic Lock Nut	Plastic
23	Allen Key	Steel

Cartridge (Type I)



Technical Support: warranty@cmiproduct.com
 Hour of Operation: Mon - Fri 8:30 a.m - 5:00 p.m. EST

Majestic - 4 PC Roman Tub With Hand-held Shower



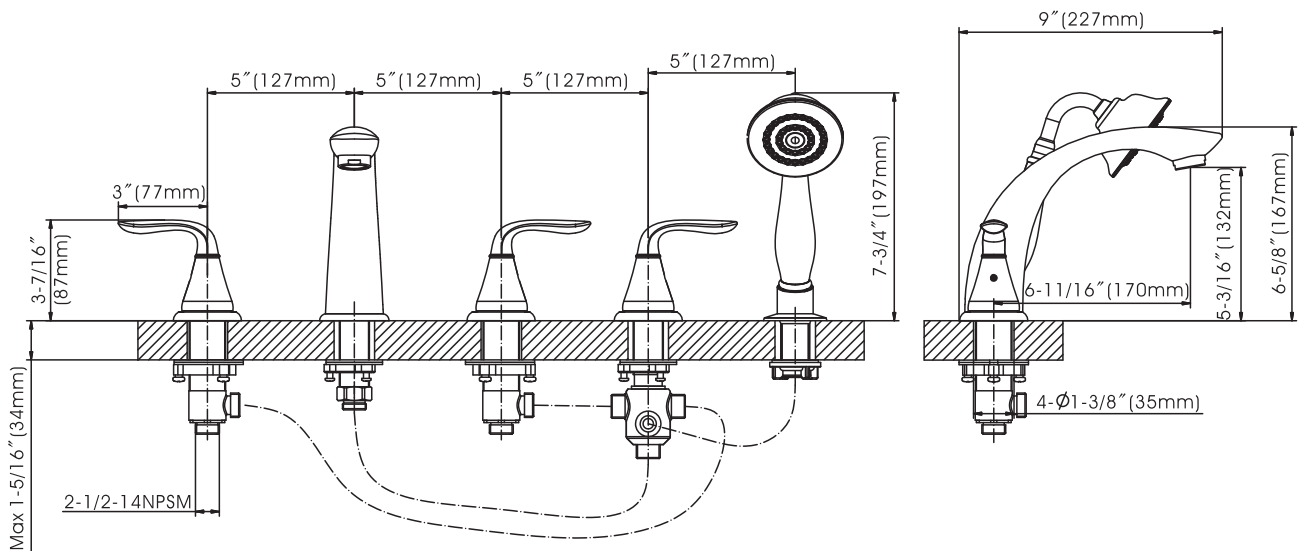
- * 5-3/16" High and 6-11/16" Long One Piece Solid Cast Brass Spout, Zinc Handle
- * Matching Plastic Hand Held Shower
- * Brass Waterway Construction with 1/2" -14 NPSM Connection
- * 72" Flexible Stainless Steel Hose
- * 1/4 Turn Premium Grade High Flow Rate Ceramic Cartridges (Type K)
- * Spout Flow Rate: 4.0GPM
- * Hand-Held Shower Flow Rate: 2.5GPM
- * 100% Pressure System Tested



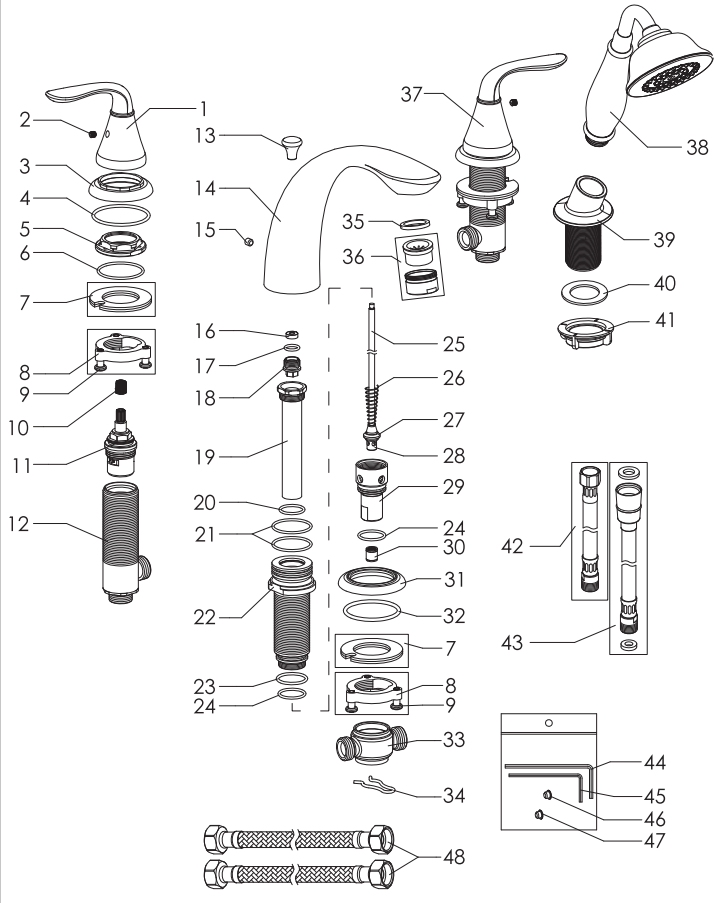
Shown Model : 211-6620

Model No. :

211-6620 (Polished Chrome) 211-6621 (Brushed Nickel *Spotless PVD*) 211-6622 (Oil-Rubbed Bronze)



Majestic - 4 PC Roman Tub With Hand-held Shower



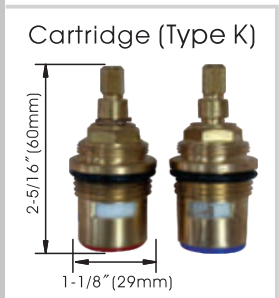
Model No. :

211-6620 (Polished Chrome)

211-6621 (Brushed Nickel **Spotless PVD**)

211-6622 (Oil-Rubbed Bronze)

No.	Part Name	Material
1	Handle	Zinc
2	Set Screw	Stainless Steel
3	Handle Flange	Zinc
4	O-Ring	Rubber
5	Cartridge Lock Nut	Zinc
6	O-Ring	Rubber
7	Clamp	Rubber+Stainless Steel
8	Lock Nut	Zinc
9	Screw	Stainless Steel
10	Handle Adapter	Plastic
11	Cartridge(Hot Water)	Brass
12	Brass Valve Body	Brass
13	Knob	Zinc
14	Spout	Brass
15	Set Screw	Stainless Steel
16	Sealing Ring	Rubber
17	O-Ring	Rubber
18	Adapter	Brass
19	Diverter Tube	Brass
20	O-Ring	Rubber
21	O-Ring	Rubber
22	Shank	Brass
23	O-Ring	Rubber
24	O-Ring	Rubber
25	Lift Rod	Brass
26	Diverter Spring	Stainless Steel
27	Washer	Rubber
28	Diverter Core	Brass
29	Diverter Cover	Brass
30	Check Valve	Plastic
31	Spout Flange	Zinc
32	O-Ring	Rubber
33	Spout Brass Tee	Brass
34	Clip	Stainless Steel
35	Aerator Washer	Brass
36	Aerator	Plastic+Brass
37	Cartridge(Cold Water)	Brass
38	Hand-Held Shower	Plastic
39	Shower Holder	Plastic
40	Washer	Rubber
41	Plastic Lock Nut	Plastic
42	Connect Hose	Stainless Steel
43	Pull-Out Hose	Stainless Steel
44	Allen Key	Steel
45	Allen Key	Steel
46	Index(Hot)	Stainless Steel
47	Index(Cold)	Plastic
48	Flexible Hose	Stainless Steel

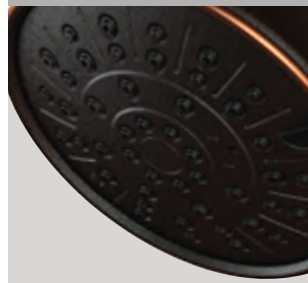


Technical Support: warranty@cmiproduct.com
 Hour of Operation: Mon - Fri 8:30 a.m - 5:00 p.m. EST

Majestic - Single Handle Pressure Balanced Tub & Shower Set



- * Pressure Balanced & Ceramic (Type F)
- * Solid Brass Waterway Construction with 1/2" -14 NPT Connection
- * Integral Stops, Diverter Tub Spout
- * 5" Three Function Plastic Rain Shower Head with Zinc Handle
- * Stainless Steel Shower Arm
- * Stainless Steel Round Plate
- * Zinc Die Cast Tub Spout
- * Shower Head Flow Rate: 1.5GPM
- * 100% Pressure System Tested

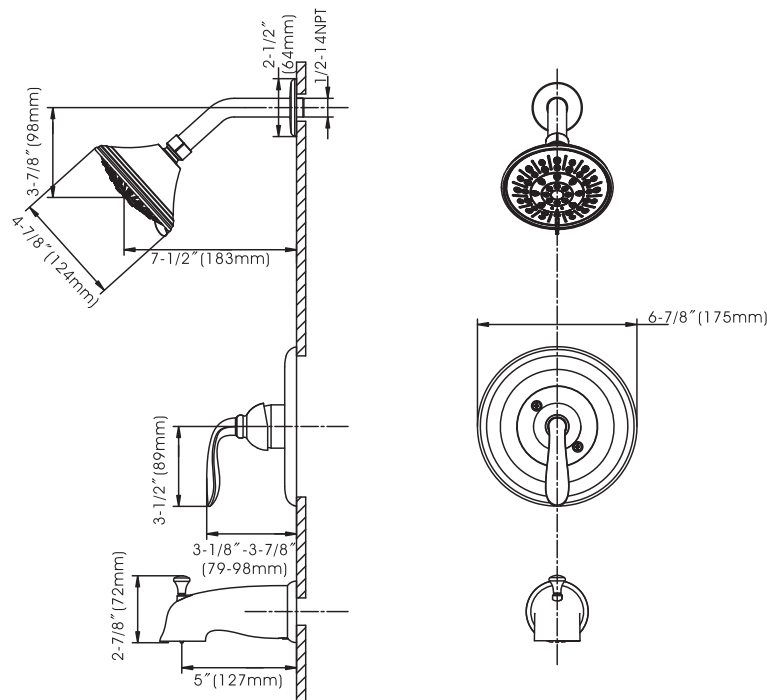


Shown Model : 211-6625

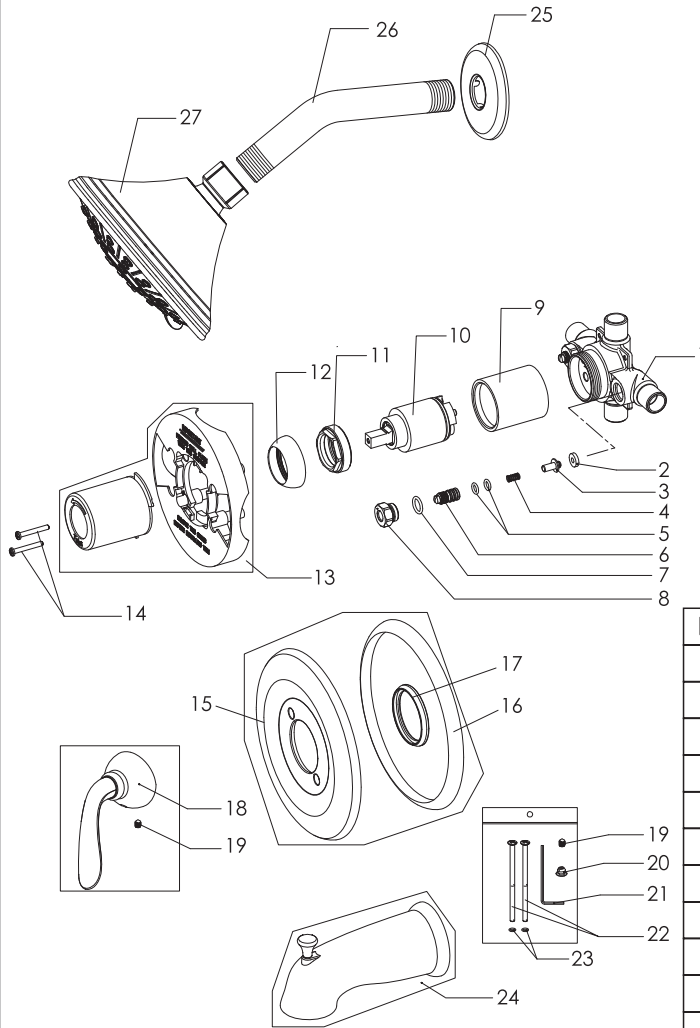


Model No. :

211-6623 (Polished Chrome) 211-6624 (Brushed Nickel Spotless PVD) 211-6625 (Oil-Rubbed Bronze)



Majestic - Single Handle Pressure Balanced Tub & Shower Set



Model No. :

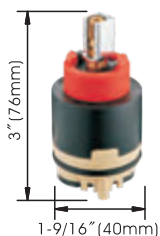
211-6623 (Polished Chrome)

211-6624 (Brushed Nickel *Spotless PVD*)

211-6625 (Oil-Rubbed Bronze)

No.	Part Name	Material
1	Valve Body	Brass
2	Sealing Washer	Rubber
3	Stopper	Brass
4	Spring	Stainless Steel
5	O-Ring	Rubber
6	Adjuster	Brass
7	O-Ring	Rubber
8	Adjuster Seat	Brass
9	Cartridge Sleeve	Zinc
10	Cartridge	Ceramic
11	Cartridge Lock Nut	Brass
12	Trim Cap	Plastic
13	Protective Kit	Plastic
14	Screw	Stainless Steel
15	Escutcheon	Stainless Steel
16	Sealing Ring	Rubber
17	Sealing Ring	Rubber
18	Handle	Zinc
19	Set Screw	Stainless Steel
20	Button	Plastic
21	Allen Key	Steel
22	Screw	Stainless Steel
23	O-Ring	Rubber
24	Tub Spout	Zinc
25	Shower Arm Flange	Stainless Steel
26	Shower Arm	Stainless Steel
27	Shower Head	Plastic

Cartridge (Type F)



Technical Support: warranty@cmiproduct.com
 Hour of Operation: Mon - Fri 8:30 a.m - 5:00 p.m. EST

Noble - Single Handle Lavatory Faucet

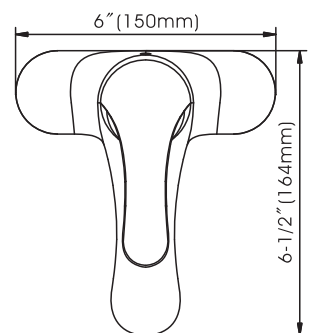
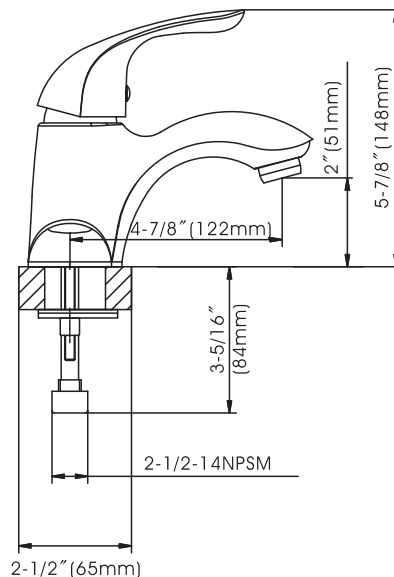
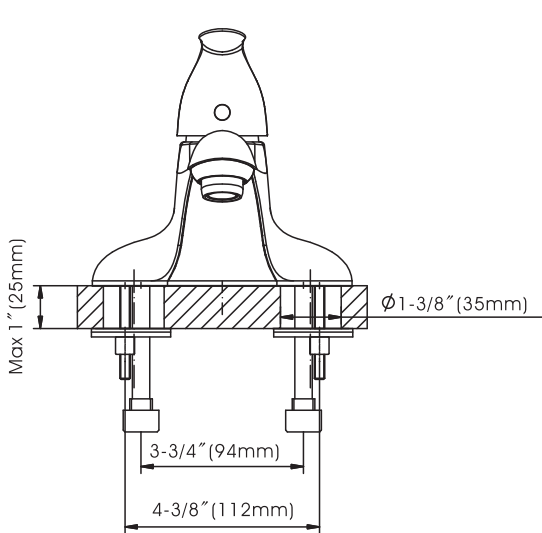


- * 4" Center-set, 3 Hole Installation
- * Includes Brass Pop-up Drain
- * 2pc Zinc Body with Zinc Handle
- * Copper Waterway Construction with 1/2" -14 NPSM Connection
- * Premium Grade Ceramic Cartridge (Type G)
- * Flow Rate: 1.2GPM
- * 100% Pressure System Tested

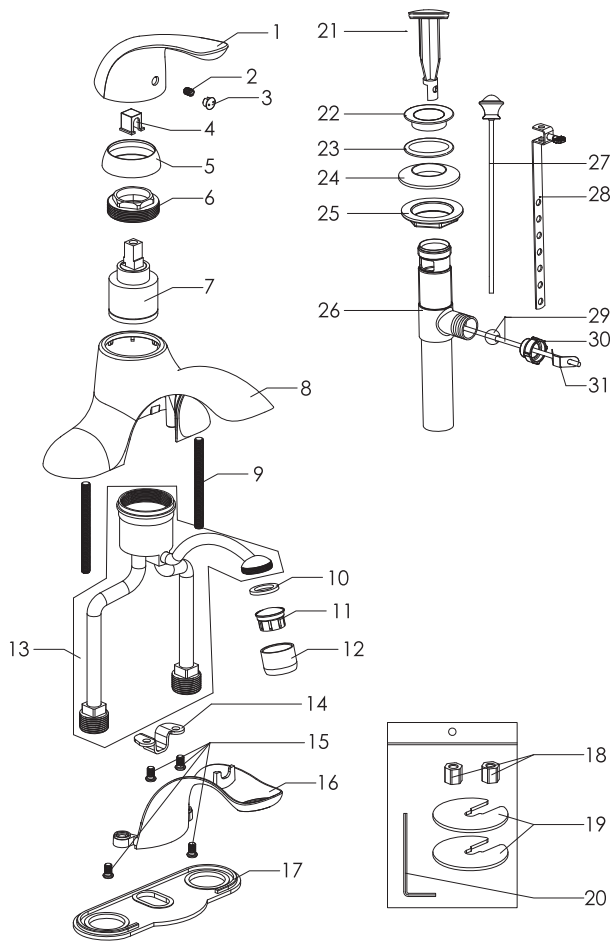


Model No. :

201-7693 (Polished Chrome) 201-7694 (Brushed Nickel *Spotless PVD*) 192-5880 (Oil-Rubbed Bronze)



Noble - Single Handle Lavatory Faucet



Model No. :

201-7693 (Polished Chrome)

201-7694 (Brushed Nickel *Spotless PVD*)

192-5880 (Oil-Rubbed Bronze)

No.	Part Name	Material
1	Handle	Zinc
2	Set Screw	Stainless Steel
3	Index	Plastic
4	Cartridge Adapter	Plastic
5	Trim Cap	Plastic
6	Cartridge Locknut	Stainless Steel
7	Cartridge	Ceramic
8	Upper Cover	Zinc
9	Bolt	Stainless Steel
10	Washer	Rubber
11	Aerator Core	Plastic
12	Aerator Collar	Brass
13	Waterway	Brass
14	Cartridge Retainer	Stainless Steel
15	Screw	Stainless Steel
16	Under Cover	Zinc
17	Putty Plate	Plastic
18	Lock Nut	Brass
19	Clamp	Stainless Steel
20	Allen Key	Stainless Steel
21	Drain Stopper	Plastic+Stainless Steel
22	Flange	Plastic+Stainless Steel
23	Top Rubber Washer	Rubber
24	Bottom Rubber Washer	Rubber
25	Lock Nut	Plastic
26	Drain Body	Plastic
27	Lift Rod	Steel
28	Extend Rod	Steel
29	Horizontal Rod	Steel+Plastic
30	Rod Guide Nut	Plastic
31	Spring Clip	Steel

Cartridge (Type G)



Technical Support: warranty@cmiproduct.com
 Hour of Operation: Mon - Fri 8:30 a.m - 5:00 p.m. EST

Noble - Two Handle Lavatory Faucet



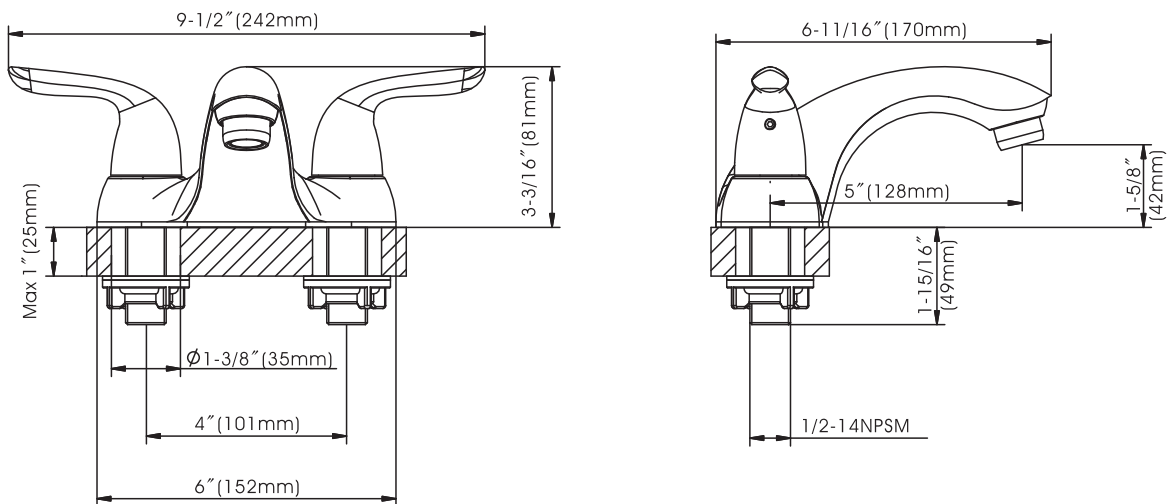
- * 4" Center-set, 3 Hole Installation
- * Includes Brass Pop-up Drain
- * 2pc Zinc Body with Zinc Handle
- * Brass Waterway Construction with 1/2" -14 NPSM Connection
- * 1/4 Turn Premium Grade Ceramic Cartridges (Type I)
- * Flow Rate: 1.2GPM
- * 100% Pressure System Tested



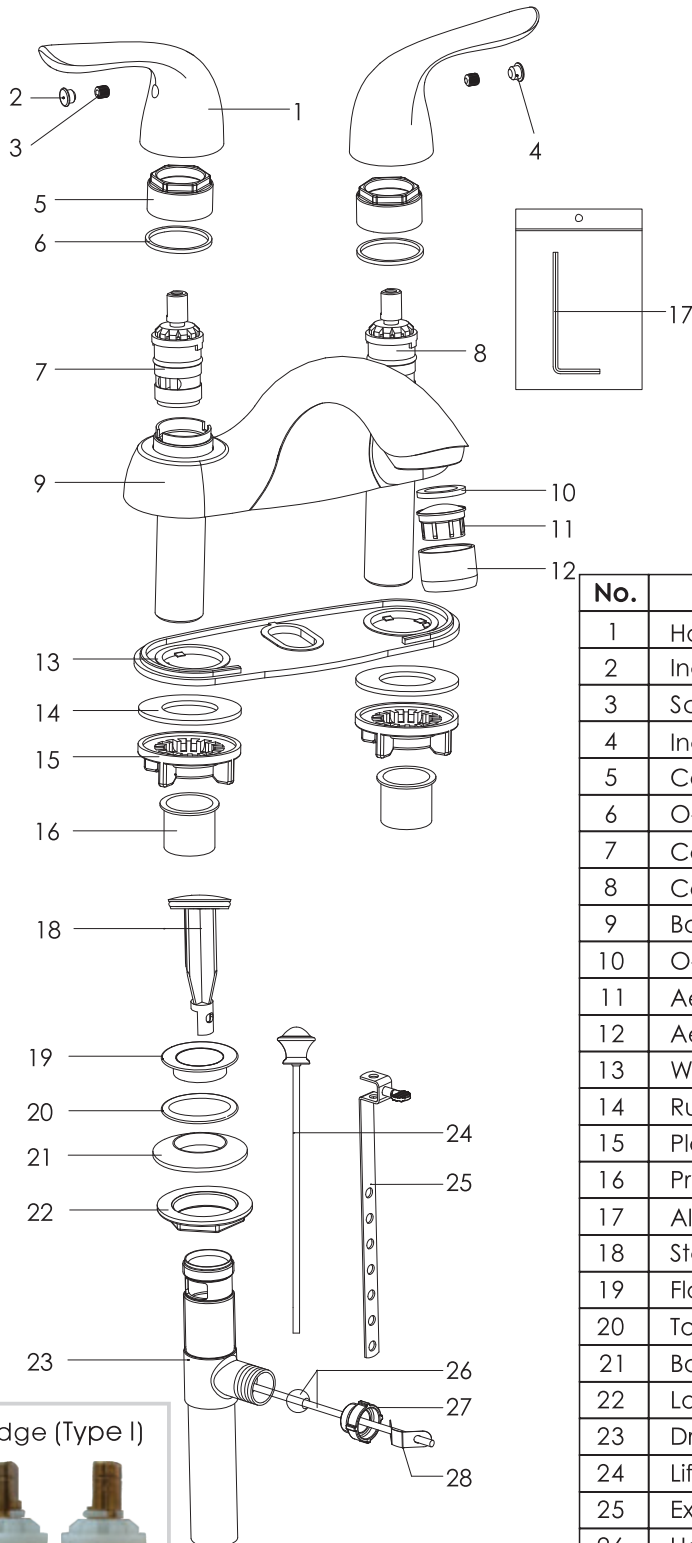
Shown Model : 201-7695

Model No. :

201-7695 (Polished Chrome) 201-7696 (Brushed Nickel *Spotless PVD*) 192-5881 (Oil-Rubbed Bronze)



Noble - Two Handle Lavatory Faucet



Model No. :

201-7695 (Polished Chrome)

201-7696 (Brushed Nickel *Spotless PVD*)

192-5881 (Oil-Rubbed Bronze)

No.	Part Name	Material
1	Handle	Zinc
2	Index(Red)	Rubber
3	Screw	Stainless Steel
4	Index (Blue)	Rubber
5	Cartridge Lock Nut	Zinc
6	O-Ring	Plastic
7	Cartridge(Hot Water)	Ceramic
8	Cartridge(Cold Water)	Ceramic
9	Body	Zinc+Brass
10	O-Ring	Rubber
11	Aerator Core	Plastic
12	Aerator Collar	Brass
13	Washer	Plastic
14	Rubber Washer	Rubber
15	Plastic Nut	Plastic
16	Protective Sleeve	Plastic
17	Allen Key	Stainless Steel
18	Stopper	Plastic+Stainless Steel
19	Flange	Plastic+Stainless Steel
20	Top Rubber Washer	Rubber
21	Bottom Rubber Washer	Rubber
22	Lock Nut	Plastic
23	Drain Body	Plastic
24	Lift Rod	Steel
25	Extend Rod	Steel
26	Horizontal Rod	Steel+Plastic
27	Rod Guide Nut	Plastic
28	Spring Clip	Steel

Cartridge (Type I)



Technical Support: warranty@cmiproduct.com
 Hour of Operation: Mon - Fri 8:30 a.m - 5:00 p.m. EST

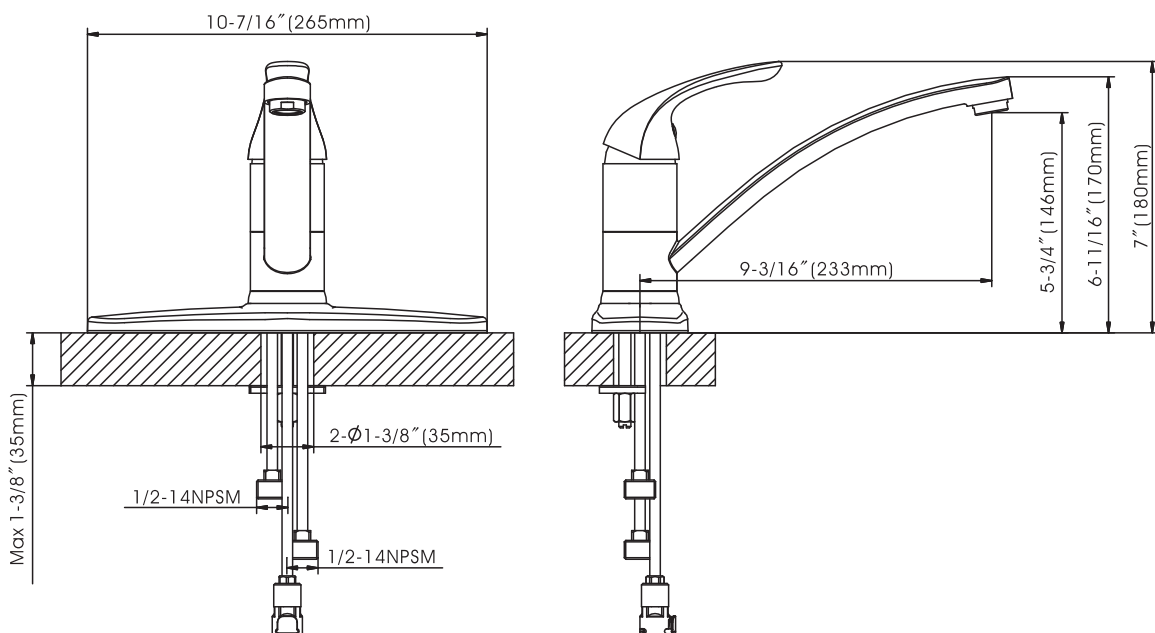
Noble - Single Handle Kitchen Faucet



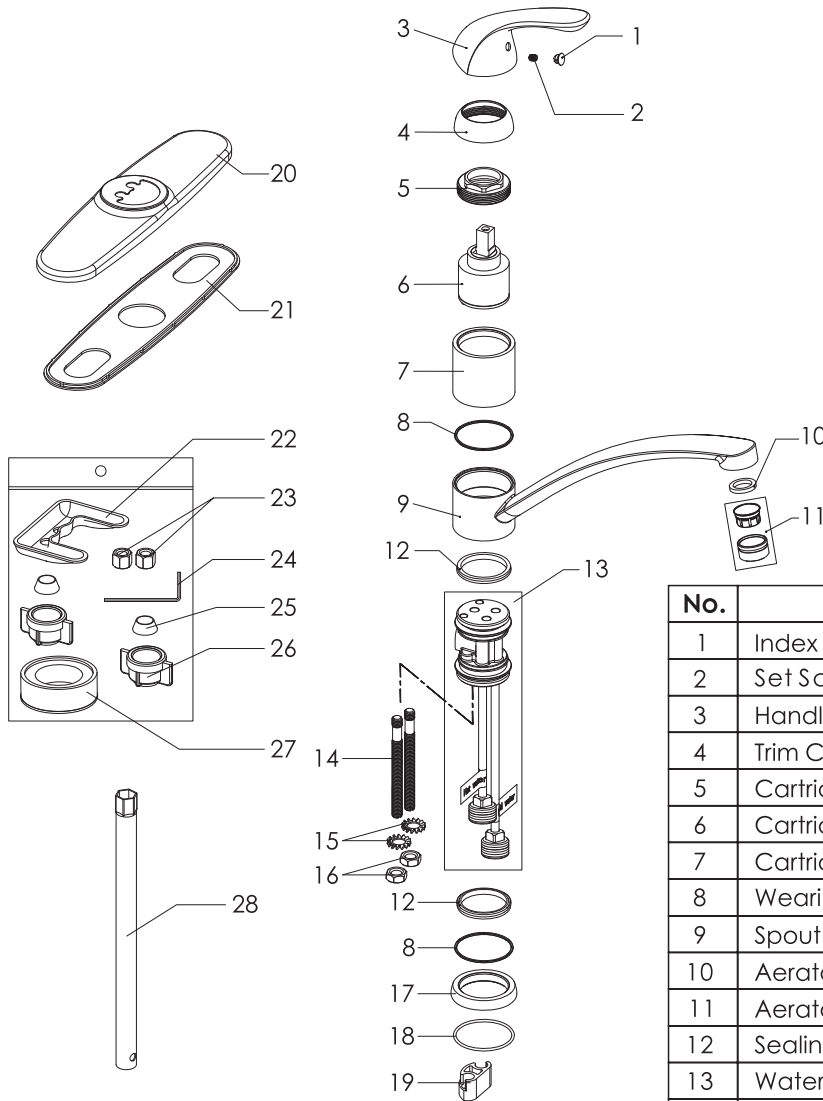
- * 8" Center-set, 3 Hole Installation, 360° Swing Brass Tube Spout, Zinc Handle
- * Removable Stainless Steel Deck Plate For Single Hole Installation
- * Copper Waterway Construction with 1/2" -14 NPSM Connection
- * Premium Grade Ceramic Cartridge (Type H)
- * Flow Rate: 1.8GPM
- * 100% Pressure System Tested



Model No. : 191-6572 (Polished Chrome) **191-6573** (Brushed Nickel *Spotless PVD*)



Noble - Single Handle Kitchen Faucet



Model No. :

191-6572 (Polished Chrome)

191-6573 (Brushed Nickel **Spotless** PVD)

No.	Part Name	Material
1	Index	Plastic
2	Set Screw	Stainless Steel
3	Handle	Zinc
4	Trim Cap	Plastic
5	Cartridge Lock Nut	Stainless Steel
6	Cartridge	Ceramic
7	Cartridge Sleeve	Zinc
8	Wearing Ring	Plastic
9	Spout	Brass
10	Aerator O-Ring	Rubber
11	Aerator	Brass+Plastic
12	Sealing Ring	Rubber
13	Waterway	Brass
14	Bolt	Stainless Steel
15	Stainless Steel Washer	Stainless Steel
16	Lock Nut	Stainless Steel
17	Hub Base	Zinc
18	O-Ring	Rubber
19	Plastic Washer	Plastic
20	Deck Plate	Stainless Steel
21	Putty Plate	Plastic
22	Clamp	Stainless Steel
23	Lock Nut	Stainless Steel
24	Allen Key	Stainless Steel
25	Sealing Ring	Rubber
26	Plastic Lock Nut	Plastic
27	Teflon Tape	Plastic
28	Socket Wrench	Steel

Cartridge (Type H)



Technical Support: warranty@cmiproduct.com
 Hour of Operation: Mon - Fri 8:30 a.m - 5:00 p.m. EST

Noble - Single Handle Kitchen Faucet With Side Spray



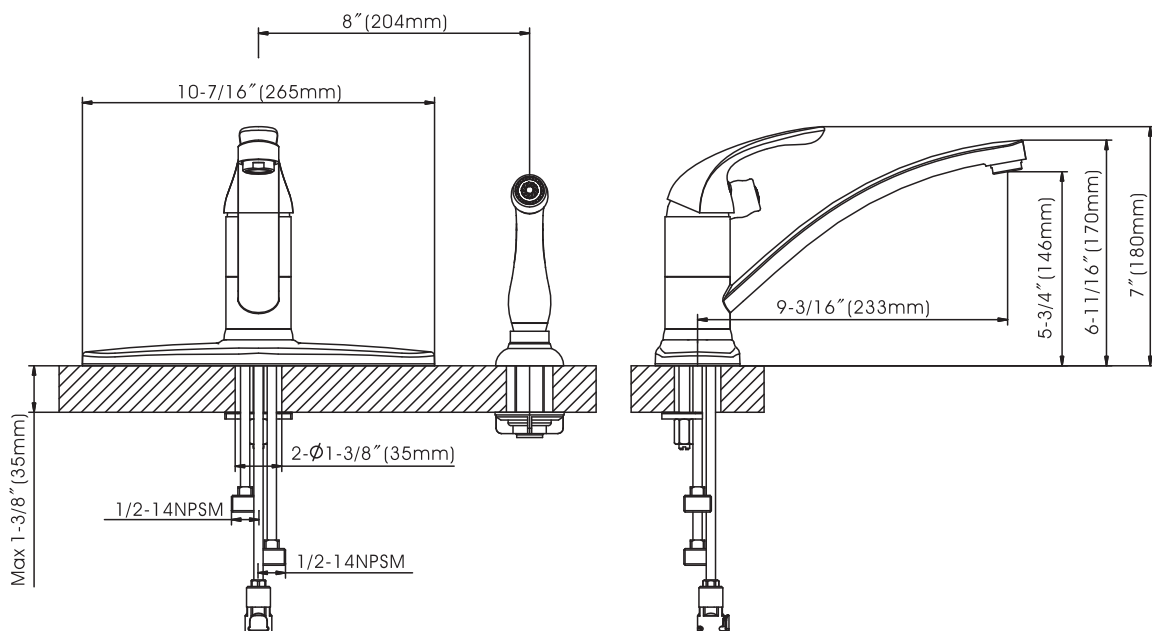
- * 6" - 8" Center-set , 4 Hole Installation , 360° Swing Brass Tube Spout, Zinc Handle
- * Removable Stainless Steel Deck Plate For Two Hole Installation
- * Matching Plastic Side Sprayer With 49" "Quick Connect" Sprayer Hose
- * Copper Waterway Construction with 1/2" -14 NPSM Connection
- * Premium Grade Ceramic Cartridge (Type H)
- * Flow Rate: 1.8GPM
- * 100% Pressure System Tested



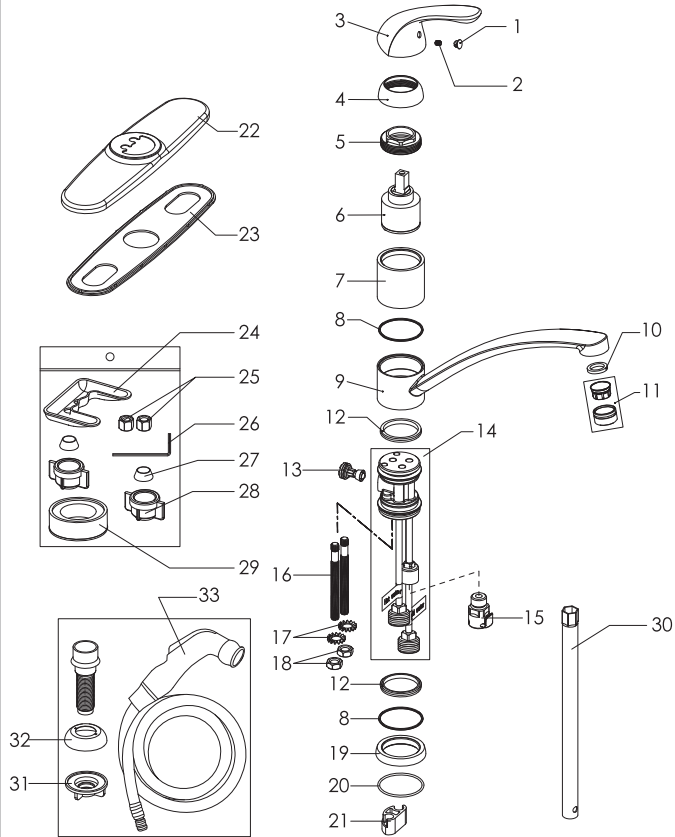
Shown Model : 191-6575

Model No. : 191-6574 (Polished Chrome)

191-6575 (Brushed Nickel *Spotless PVD*)



Noble - Single Handle Kitchen Faucet With Side Spray



Model No. :

191-6574 (Polished Chrome)

191-6575 (Brushed Nickel **Spotless PVD**)

No.	Part Name	Material
1	Index	Plastic
2	Set Screw	Stainless Steel
3	Handle	Zinc
4	Trim Cap	Plastic
5	Cartridge Lock Nut	Stainless Steel
6	Cartridge	Ceramic
7	Cartridge Sleeve	Zinc
8	Wearing Ring	Plastic
9	Spout	Brass
10	Washer	Rubber
11	Aerator	Brass+Plastic
12	Sealing Ring	Rubber
13	Diverter	Brass+Plastic
14	Waterway	Brass
15	Quick Connect Assembly	Plastic
16	Bolt	Stainless Steel
17	Stainless Steel Washer	Stainless Steel
18	Lock Nut	Stainless Steel
19	Hub Base	Zinc
20	O-Ring	Rubber
21	Plastic Washer	Plastic
22	Deck Plate	Stainless Steel
23	Putty Plate	Plastic
24	Clamp	Stainless Steel
25	Lock Nut	Stainless Steel
26	Allen Key	Stainless Steel
27	Sealing Ring	Rubber
28	Plastic Nut	Plastic
29	Teflon Tape	Plastic
30	Socket Wrench	Steel
31	Plastic Lock Nut	Stainless Steel
32	Spray Gasket	Plastic
33	Side Spray	Plastic

Cartridge (Type H)



Technical Support: warranty@cmiproduct.com
 Hour of Operation: Mon - Fri 8:30 a.m - 5:00 p.m. EST

Noble - Single Handle High ARC Pull-down Kitchen Faucet



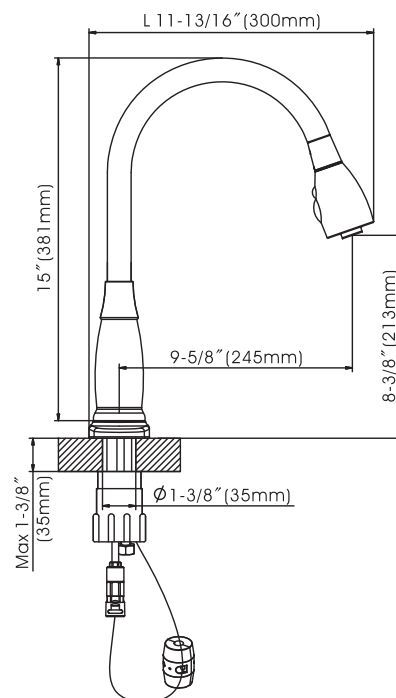
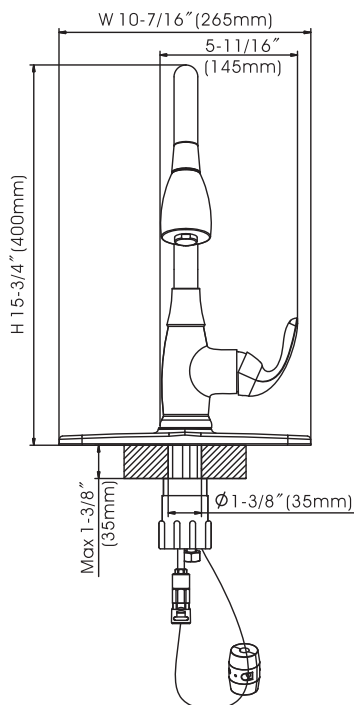
- * Includes Stainless Steel Deck Plate for Single or 3 Hole Installation
- * 15" Height, 360° Swing Stainless Steel Tube Spout, Zinc Handle
- * Two Function Plastic Sprayer Head For Sprayer And Stream
- * Copper Waterway Construction with 1/2" -14 NPSM Connection
- * Premium Grade Ceramic Cartridge (Type G)
- * 60" Quick Connect Flexible Nylon Hose
- * Screw On Weight
- * Flow Rate: 1.8GPM
- * 100% Pressure System Tested



Shown Model : 191-7697

Model No. :

191-7697 (Polished Chrome) 191-7698 (Brushed Nickel *Spotless PVD*) 192-5882 (Oil-Rubbed Bronze)



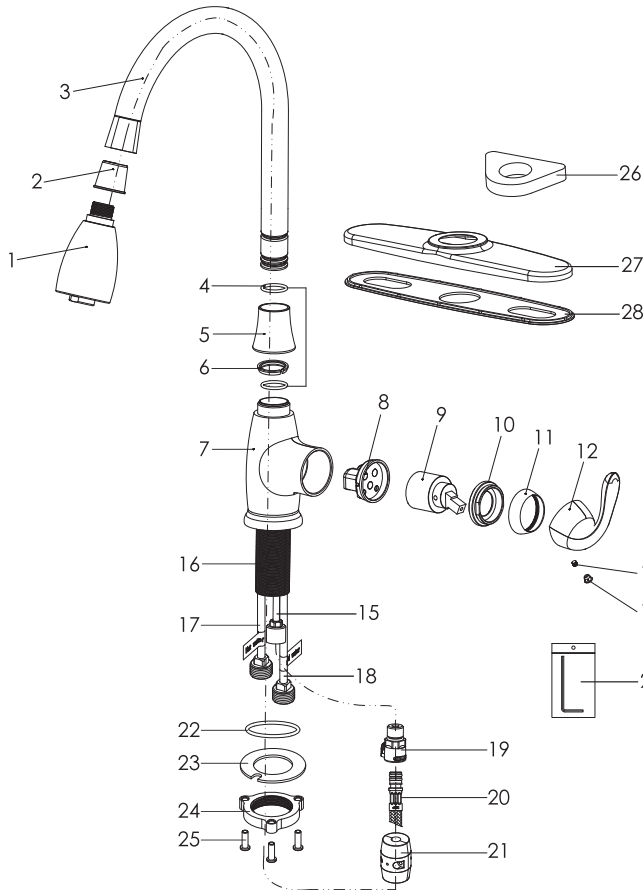
Noble - Single Handle High ARC Pull-down Kitchen Faucet

Model No. :

191-7697 (Polished Chrome)

191-7698 (Brushed Nickel **Spotless PVD**)

192-5882 (Oil-Rubbed Bronze)



No.	Part Name	Material
1	Spray	Plastic
2	Hose Guide	Plastic
3	Spout	Stainless Steel
4	O-Ring	Rubber
5	Hub Nut	Zinc
6	Wearing Ring	Plastic
7	Body	Zinc
8	Cartridge Seat	Brass
9	Cartridge	Ceramic
10	Cartridge Lock Nut	Brass
11	Trim Cap	Plastic
12	Handle	Zinc
13	Set Screw	Stainless Steel
14	Handle Button	Plastic
15	Copper Tube	Brass
16	Shank	Stainless Steel
17	Copper Tube	Brass
18	Copper Tube	Brass
19	Quick Connect Assembly	Plastic
20	Pull-out Hose	Nylon
21	Weight	Plastic+Steel
22	O-Ring	Rubber
23	Clamp	Rubber + Stainless Steel
24	Lock Nut	Zinc
25	Screw	Stainless Steel
26	Plastic Base	Plastic
27	Deck Plate	Stainless Steel
28	Putty Plate	Plastic
29	Allen Key	Stainless Steel

Cartridge (Type G)

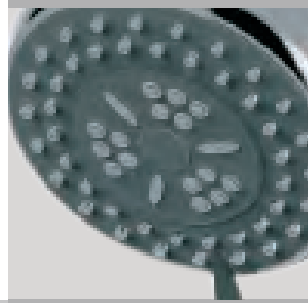


Technical Support: warranty@cmiproduct.com
 Hour of Operation: Mon - Fri 8:30 a.m - 5:00 p.m. EST

Noble - Single Handle Pressure Balanced Tub & Shower Set



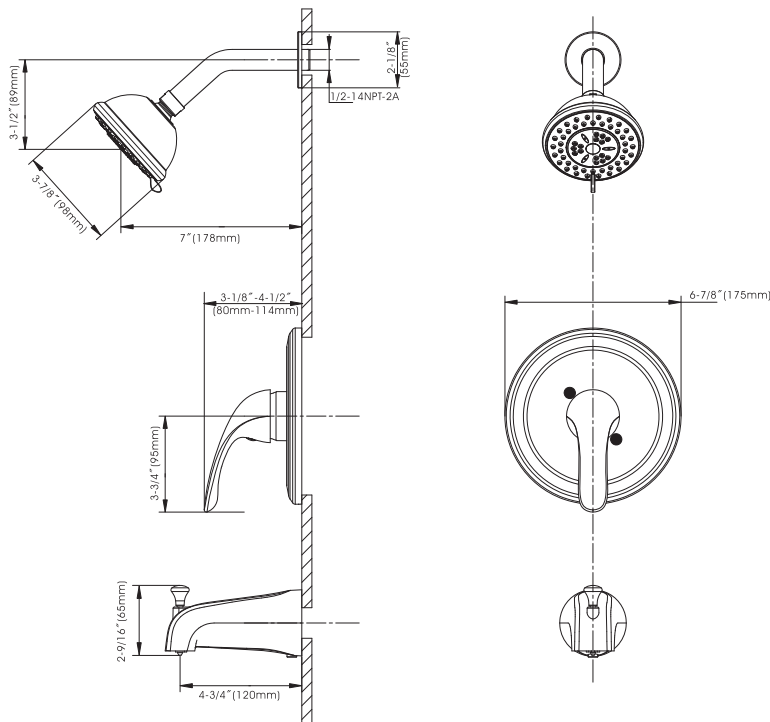
- * Pressure Balanced & Ceramic (Type F)
- * Solid Brass Waterway Construction with 1/2" -14 NPT Connection
- * Temperature Limited Stop
- * Integral Stops
- * 3-7/8" 3 Function Massage Plastic Shower Head with Zinc Handle
- * Stainless Steel Shower Arm
- * Stainless Steel Round Plate
- * Zinc Die Cast Tub Spout with Diverter
- * Shower Head Flow Rate: 1.5GPM
- * 100% Pressure System Tested



Shown Model : 211-6578



Model No. : 211-6578 (Polished Chrome) **211-6579** (Brushed Nickel)

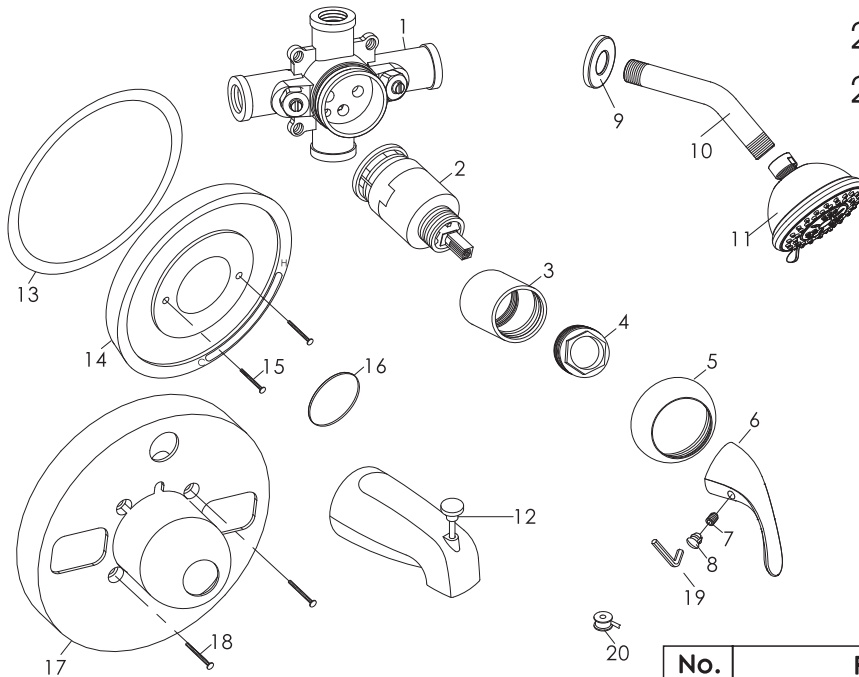


Noble - Single Handle Pressure Balanced Tub & Shower Set

Model No. :

211-6578 (Polished Chrome)

211-6579 (Brushed Nickel)



No.	Part Name	Material
1	Body	Brass
2	Ceramic Cartridge	Ceramic
3	Brass Sleeve	Brass
4	Lock Nut	Brass
5	Handle Base	Plastic
6	Handle	Zinc
7	Screw	Stainless Steel
8	Red/blue Button	Plastic
9	Stainless Cap	Stainless Steel
10	Shower Arm	Stainless Steel
11	Shower Head	Plastic
12	Spout	Zinc
13	Escutcheon Gasket	Rubber
14	Valve Escutcheon	Stainless Steel
15	Screw	Stainless Steel
16	White Plastic Ring	Rubber
17	Mud Guard	Plastic
18	Screw	Stainless Steel
19	2.5mm Hex Wrench	Steel
20	Teflon Tape	Plastic

Cartridge (Type F)



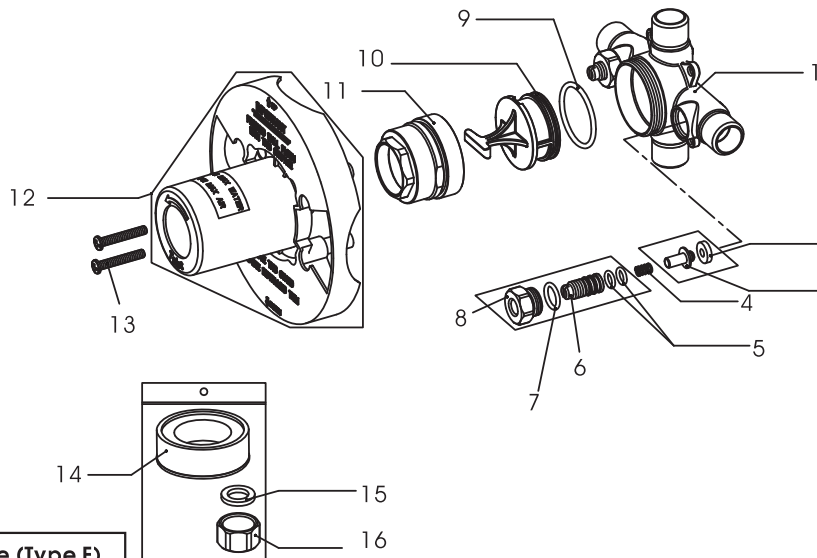
Technical Support: warranty@cmiproduct.com
 Hour of Operation: Mon - Fri 8:30 a.m - 5:00 p.m. EST

Contractor Sweat & Male NPT Valve Pack

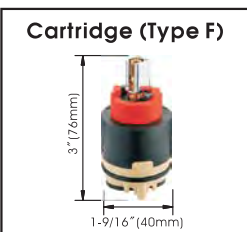


■ Model No. : 212-5910

- * Brass Valve Body Only
- * Accepts Back-to-Back functional type pressure balanced cartridge (Type F)
- * Integral Stops
- * 1/2" Universal outlets (Sweat) with Male NPT threads
- * Includes brass plug for Shower only
- * Includes pressure test kit



NO.	Part Name
1	Valve Body
2	Sealing Washer
3	Stopper
4	Spring
5	O-ring
6	Adjuster
7	O-ring
8	Adjuster Seat
9	O-ring
10	Test Plug
11	Cartridge Lock Nut
12	Protective Kit
13	Screw
14	Teflon Tape
15	Washer
16	End Cap

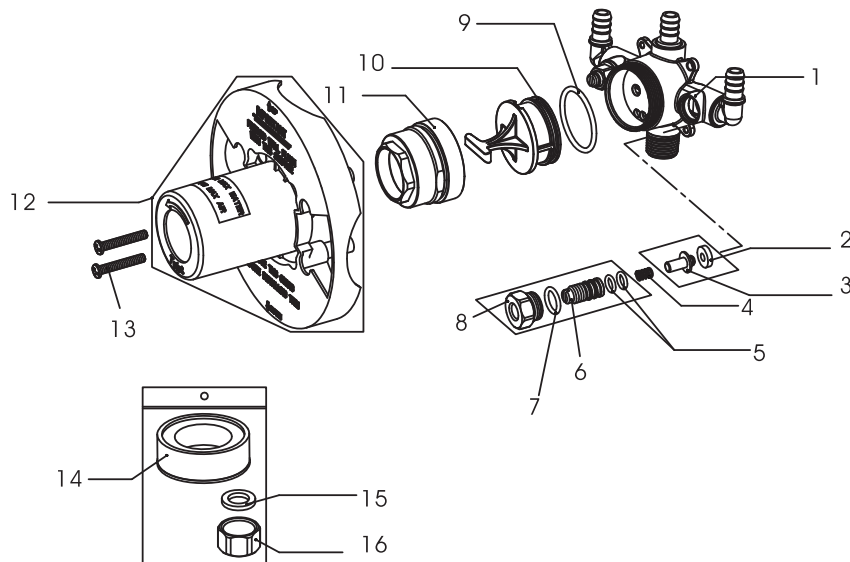


Contractor PEX Valve Pack with Fitting Facing Up Type B



■ Model No. : 212-5911

- * Brass Valve Body Only
- * Accepts Back-to-Back functional type pressure balanced cartridge
- * Integral Stops
- * 1/2" PEX crimp connections and 1/2" Universal outlets (Sweat) with Male NPT threads
- * Includes brass plug for Shower only
- * Includes pressure test kit



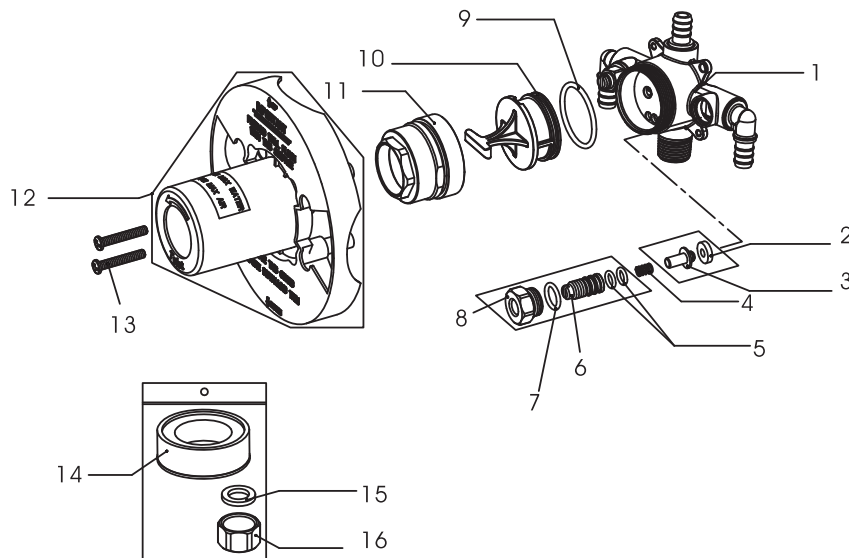
NO.	Part Name
1	Valve Body
2	Sealing Washer
3	Stopper
4	Spring
5	O-ring
6	Adjuster
7	O-ring
8	Adjuster Seat
9	O-ring
10	Test Plug
11	Cartridge Lock Nut
12	Protective Kit
13	Screw
14	Teflon Tape
15	Washer
16	End Cap

Contractor PEX Valve Pack with Fitting Facing Down Type B



■ Model No. : 212-6096

- * Brass Valve Body Only
- * Accepts Back-to-Back functional type pressure balanced cartridge
- * Integral Stops
- * 1/2" PEX crimp connections and 1/2" Universal outlets (Sweat) with Male NPT threads
- * Includes brass plug for Shower only
- * Includes pressure test kit



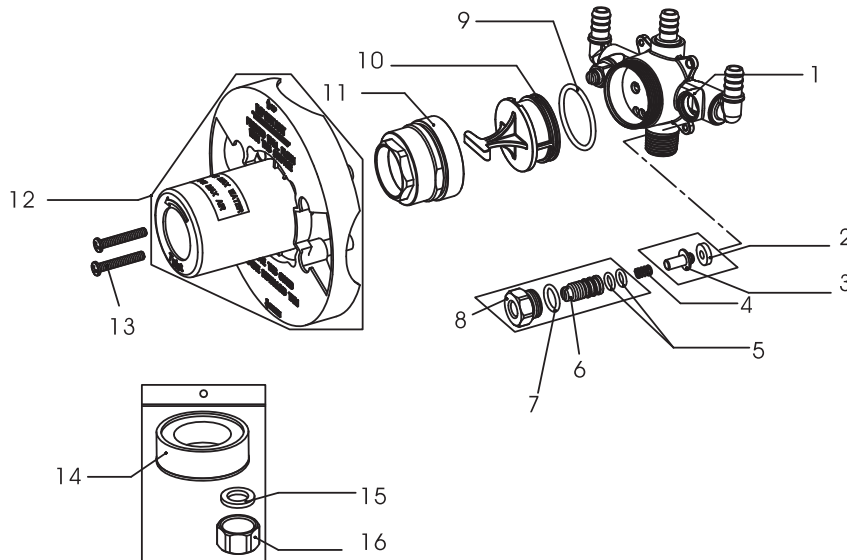
NO.	Part Name
1	Valve Body
2	Sealing Washer
3	Stopper
4	Spring
5	O-ring
6	Adjuster
7	O-ring
8	Adjuster Seat
9	O-ring
10	Test Plug
11	Cartridge Lock Nut
12	Protective Kit
13	Screw
14	Teflon Tape
15	Washer
16	End Cap

Contractor PEX Valve Pack with Fitting Facing Up Type A



■ Model No. : 212-6235

- * Brass Valve Body Only
- * Accepts Back-to-Back functional type pressure balanced cartridge
- * Integral Stops
- * 3/4" PEX crimp connections and 1/2" Universal outlets (Sweat) with Male NPT threads
- * Includes brass plug for Shower only
- * Includes pressure test kit



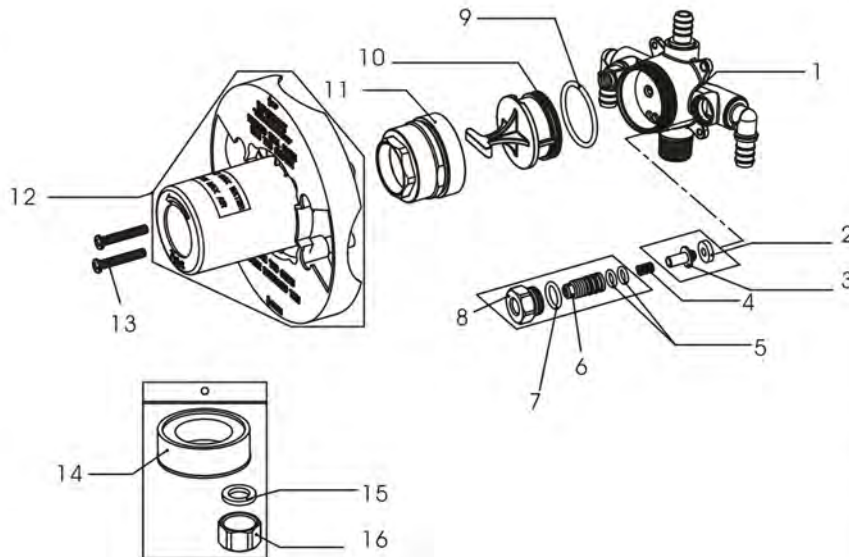
NO.	Part Name
1	Valve Body
2	Sealing Washer
3	Stopper
4	Spring
5	O-ring
6	Adjuster
7	O-ring
8	Adjuster Seat
9	O-ring
10	Test Plug
11	Cartridge Lock Nut
12	Protective Kit
13	Screw
14	Teflon Tape
15	Washer
16	End Cap

Contractor PEX Valve Pack with Fitting Facing Down Type A



• Model No. : 212-6236

- * Brass Valve Body Only
- * Accepts Back-to-Back functional type pressure balanced cartridge
- * Integral Stops
- * 3/4" PEX crimp connections and 1/2" Universal outlets (Sweat) with Male NPT threads
- * Includes brass plug for Shower only
- * Includes pressure test kit



NO.	Part Name
1	Valve Body
2	Sealing Washer
3	Stopper
4	Spring
5	O-ring
6	Adjuster
7	O-ring
8	Adjuster Seat
9	O-ring
10	Test Plug
11	Cartridge Lock Nut
12	Protective Kit
13	Screw
14	Teflon Tape
15	Washer
16	End Cap

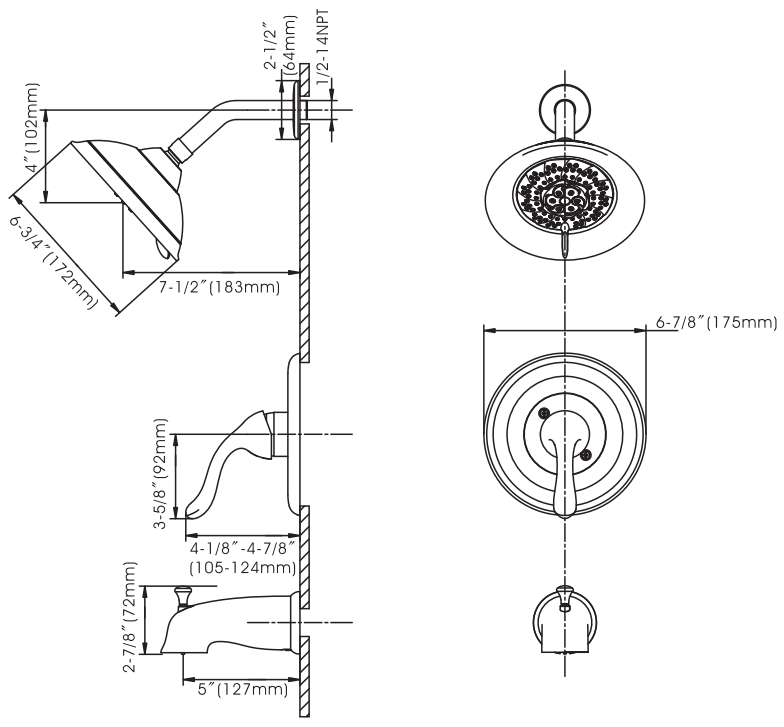
Prestige Series Tub and Shower Trim Pack



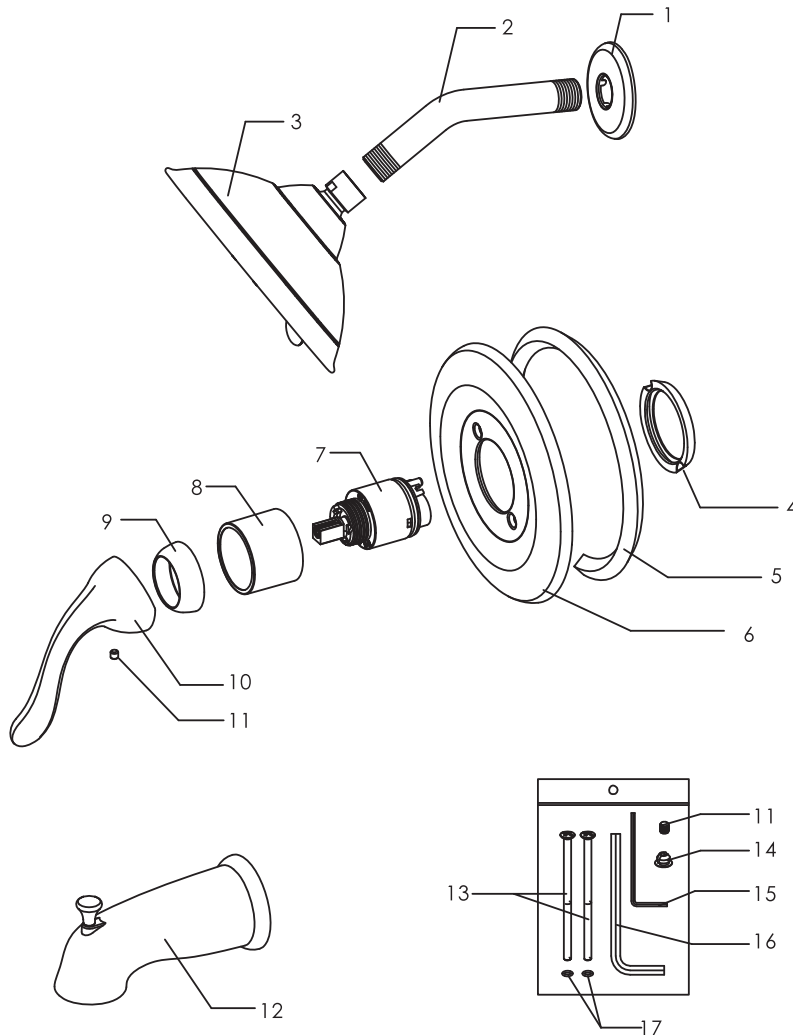
• Model No. : 192-6174

- * Polished Chrome Finish
- * One Piece Pressure Balanced Ceramic Cartridge with Balancing Spool
- * Back-to-Back Installation Capability
- * 6-1/2" Six Function Shower Head
- * Metal Shower Arm with Flange
- * Metal Escutcheon with Screws
- * Zinc Handle
- * Matching Finish Trim Sleeve
- * 1.5 GPM@80 PSI Shower Head
- * 7.0 GPM@80 PSI Diverter Tub Spout with easy "Snap In" design

Model No. : 192-6174 (Polished Chrome) 192-6175 (Brushed Nickel) 192-6176 (Oil-Rubbed Bronze)



Prestige Series Tub and Shower Trim Pack



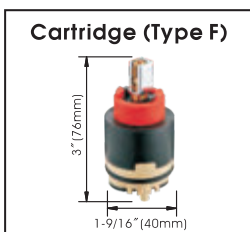
Model No. :

192-6174 (Polished Chrome)

192-6175 (Brushed Nickel)

192-6176 (Oil-Rubbed Bronze)

No.	Part Name	Material
1	Shower Arm Flange	Stainless Steel
2	Shower Arm	Stainless Steel
3	Shower Head	Plastic
4	Sealing Ring	Rubber
5	Sealing Ring	Sponge
6	Escutcheon	Stainless Steel
7	Cartridge	Ceramic
8	Cartridge Sleeve	Brass
9	Cartridge Locknut	Zinc
10	Handle	Zinc
11	Set Screw	Stainless Steel
12	Tub Spout	Zinc
13	Escutcheon Screw	Stainless Steel
14	Hot/Cold Button	Plastic
15	Allen Key	Steel
16	Allen Key	Steel
17	Escutcheon Screw O-rings	Rubber

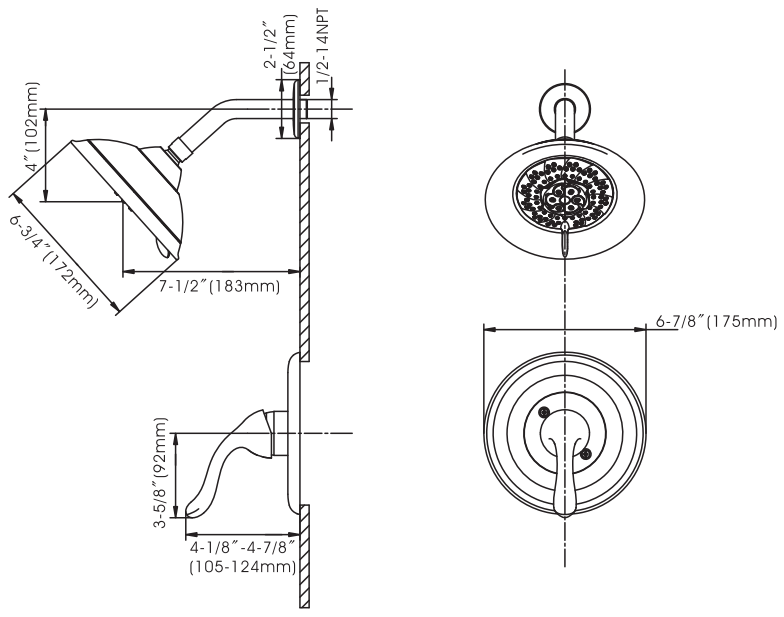


Prestige Series Shower Only Trim Pack

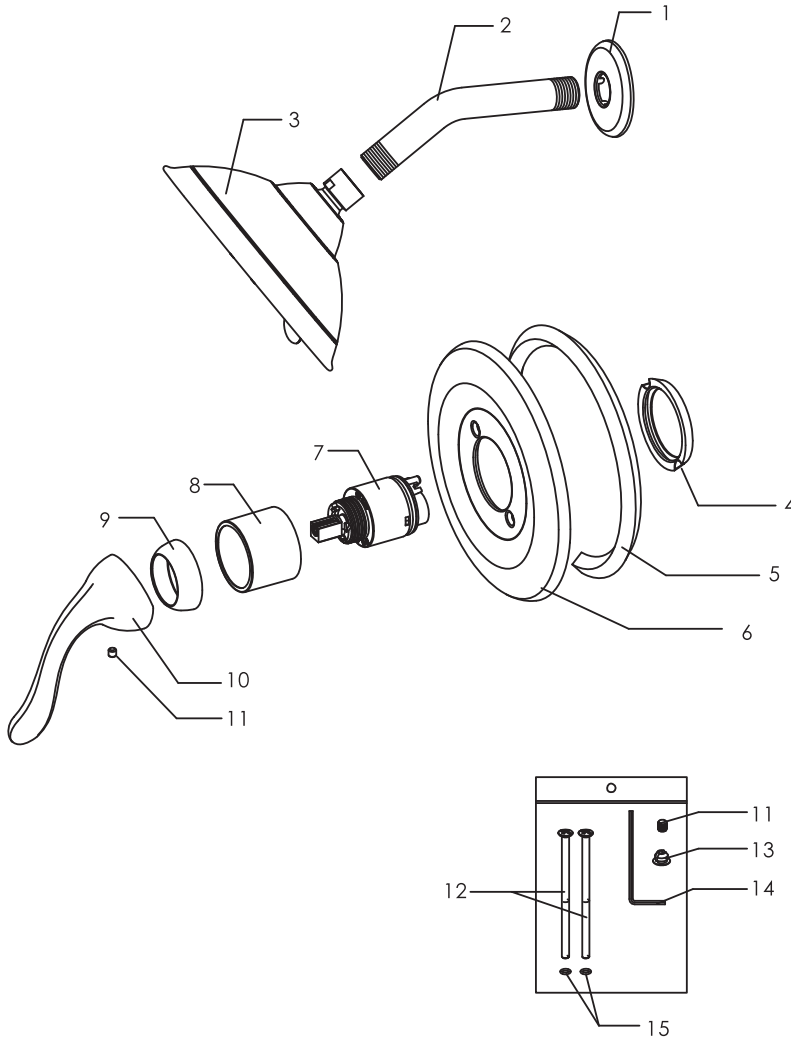


- **Model No. : 192-6204**
- * Brushed Nickel Finish
- * One Piece Pressure Balanced Ceramic Cartridge with Balancing Spool
- * Back-to-Back Installation Capability
- * 6-1/2" Six Function Shower Head
- * Metal Shower Arm with Flange
- * Metal Escutcheon with Screws
- * Zinc Handle
- * Matching Finish Trim Sleeve
- * 1.5 GPM@80 PSI Shower Head

Model No. : 192-6202 (Polished Chrome) 192-6204 (Brushed Nickel) 192-6206 (Oil-Rubbed Bronze)



Prestige Series Shower Only Trim Pack

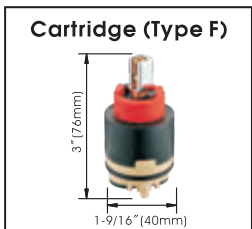


Model No. :

192-6202 (Polished Chrome)

192-6204 (Brushed Nickel)

192-6206 (Oil-Rubbed Bronze)



No.	Part Name	Material
1	Shower Arm Flange	Stainless Steel
2	Shower Arm	Stainless Steel
3	Shower Head	Plastic
4	Sealing Ring	Rubber
5	Sealing Ring	Sponge
6	Escutcheon	Stainless Steel
7	Cartridge	Ceramic
8	Cartridge Sleeve	Brass
9	Cartridge Locknut	Zinc
10	Handle	Zinc
11	Set Screw	Stainless Steel
12	Escutcheon Screw	Stainless Steel
13	Hot/Cold Button	Plastic
14	Allen Key	Steel
15	Escutcheon Screw O-rings	Rubber

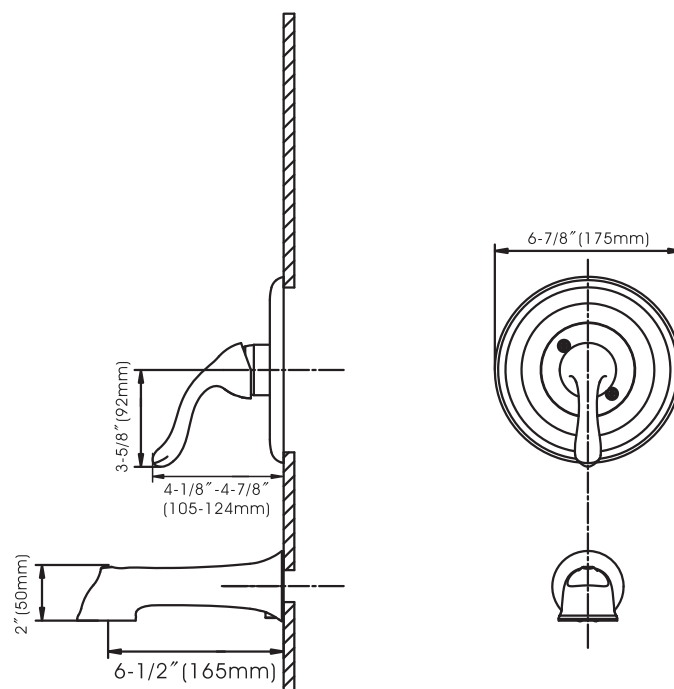
Prestige Series Tub Only Trim Pack



• Model No. : 192-6207

- * Oil-Rubbed Bronze Finish
- * One Piece Pressure Balanced Ceramic Cartridge with Balancing Spool
- * Back-to-Back Installation Capability
- * Metal Escutcheon with Screws
- * Zinc Handle
- * Matching Finish Trim Sleeve
- * 7.0 GPM@80 PSI Non-Diverter Tub Spout with easy "Snap In" design

Model No. : 192-6203 (Polished Chrome) 192-6205 (Brushed Nickel) 192-6207 (Oil-Rubbed Bronze)



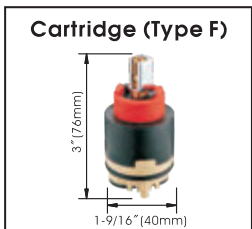
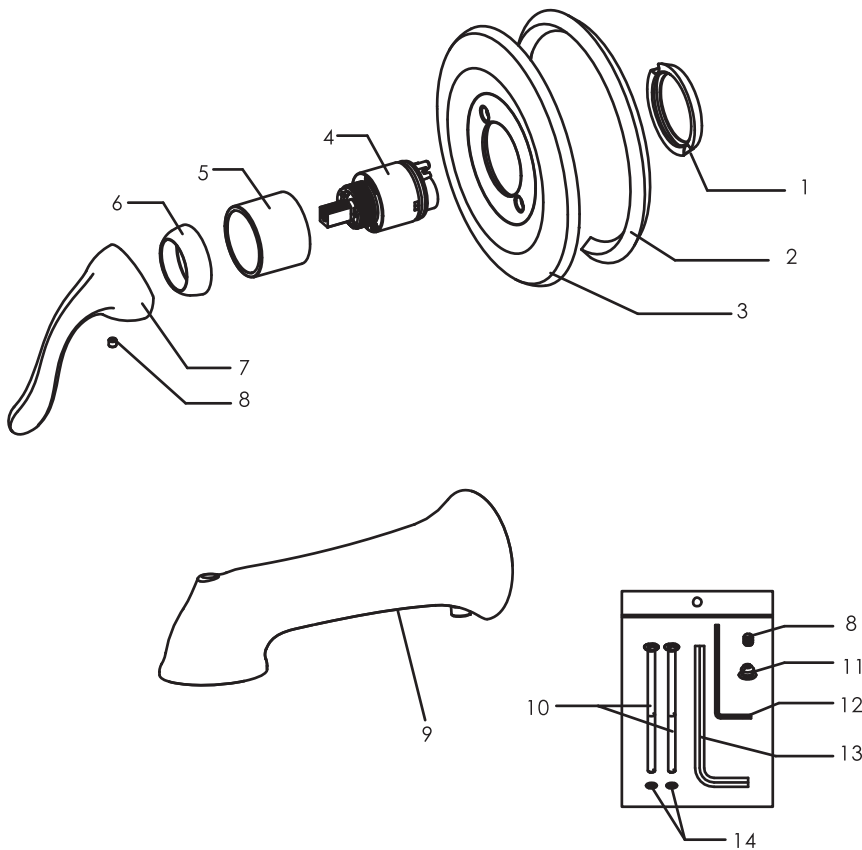
Prestige Series Tub Only Trim Pack

Model No. :

192-6203 (Polished Chrome)

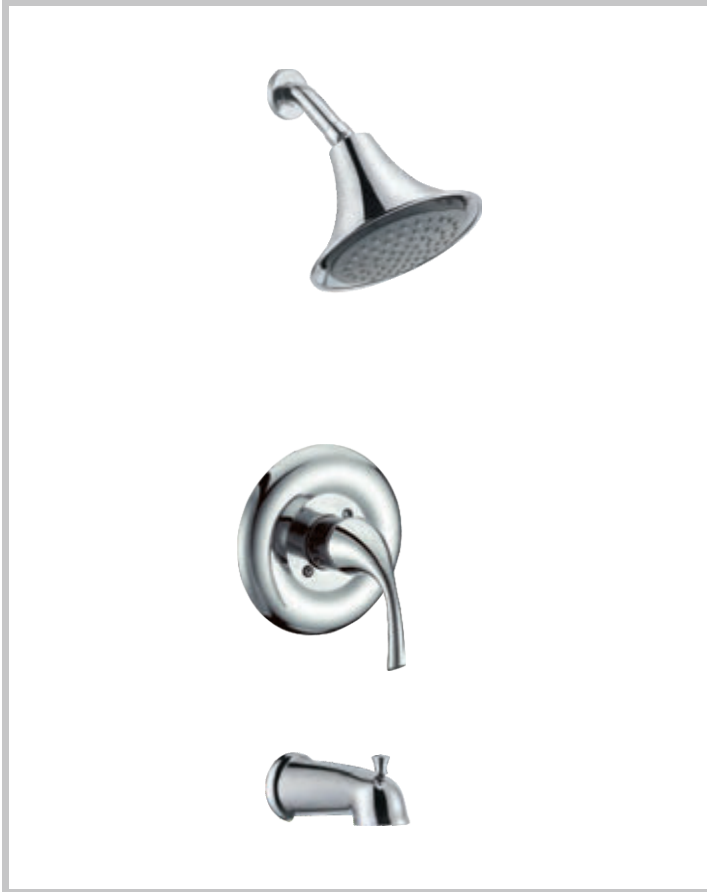
192-6205 (Brushed Nickel)

192-6207 (Oil-Rubbed Bronze)



No.	Part Name	Material
1	Sealing Ring	Rubber
2	Sealing Ring	Sponge
3	Escutcheon	Stainless Steel
4	Cartridge	Ceramic
5	Cartridge Sleeve	Brass
6	Cartridge Locknut	Zinc
7	Handle	Zinc
8	Set Screw	Stainless Steel
9	Tub Spout	Zinc
10	Escutcheon Screw	Stainless Steel
11	Hot/Cold Button	Plastic
12	Allen Key	Steel
13	Allen Key	Steel
14	Escutcheon Screw O-rings	Rubber

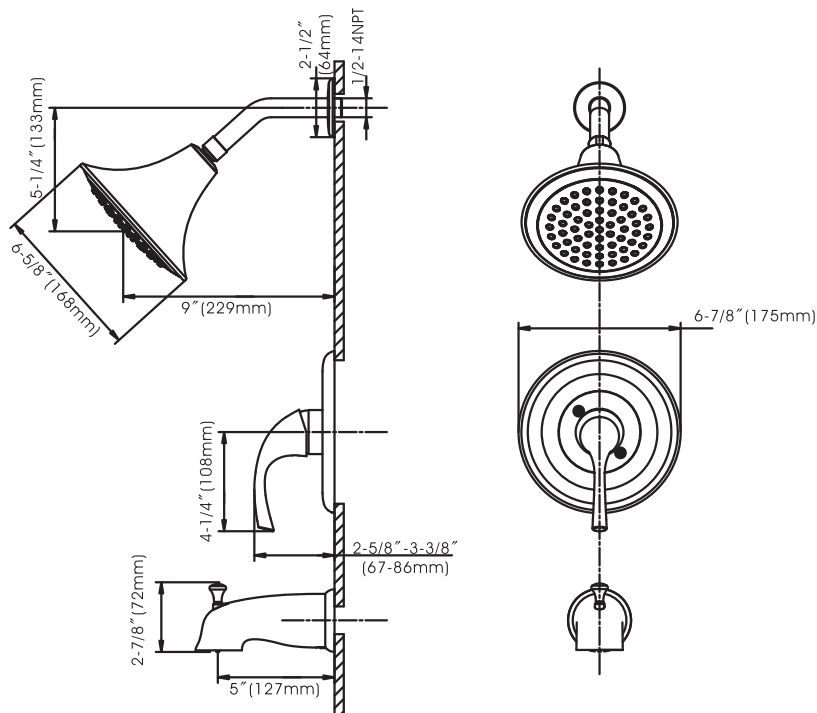
Grand Series Tub and Shower Trim Pack



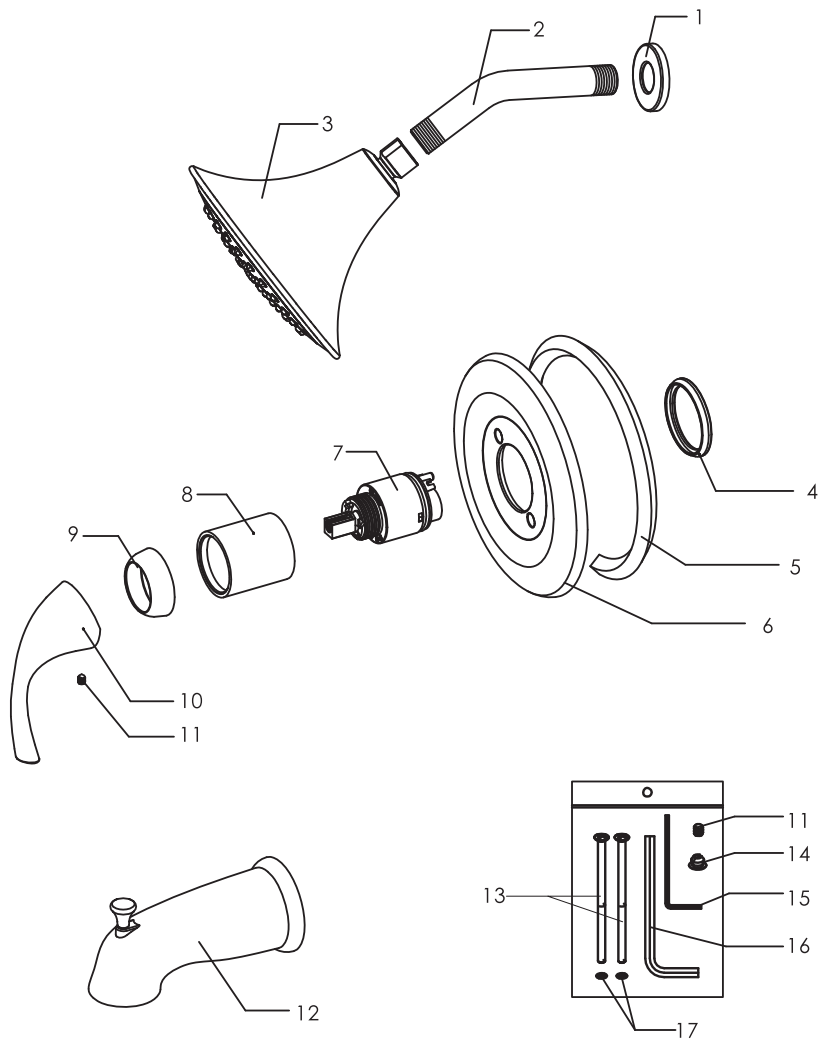
Model No. : 192-6177

- * Polished Chrome Finish
- * One Piece Pressure Balanced Ceramic Cartridge with Balancing Spool
- * Back-to-Back Installation Capability
- * 6-1/2" Single Function Shower Head
- * Metal Shower Arm with Flange
- * Metal Escutcheon with Screws
- * Zinc Handle
- * Matching Finish Trim Sleeve
- * 1.5 GPM@80 PSI Shower Head
- * 7.0 GPM@80 PSI Diverter Tub Spout with easy "Snap In" design

Model No. : 192-6177 (Polished Chrome) 192-6178 (Brushed Nickel) 192-6179 (Oil-Rubbed Bronze)



Grand Series Tub and Shower Trim Pack



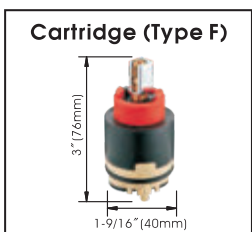
Model No. :

192-6177 (Polished Chrome)

192-6178 (Brushed Nickel)

192-6179 (Oil-Rubbed Bronze)

No.	Part Name	Material
1	Shower Arm Flange	Stainless Steel
2	Shower Arm	Stainless Steel
3	Shower Head	Plastic
4	Sealing Ring	Rubber
5	Sealing Ring	Sponge
6	Escutcheon	Stainless Steel
7	Cartridge	Ceramic
8	Cartridge Sleeve	Brass
9	Cartridge Locknut	Zinc
10	Handle	Zinc
11	Set Screw	Stainless Steel
12	Tub Spout	Zinc
13	Escutcheon Screw	Stainless Steel
14	Hot/Cold Button	Plastic
15	Allen Key	Steel
16	Allen Key	Steel
17	Escutcheon Screw O-rings	Rubber



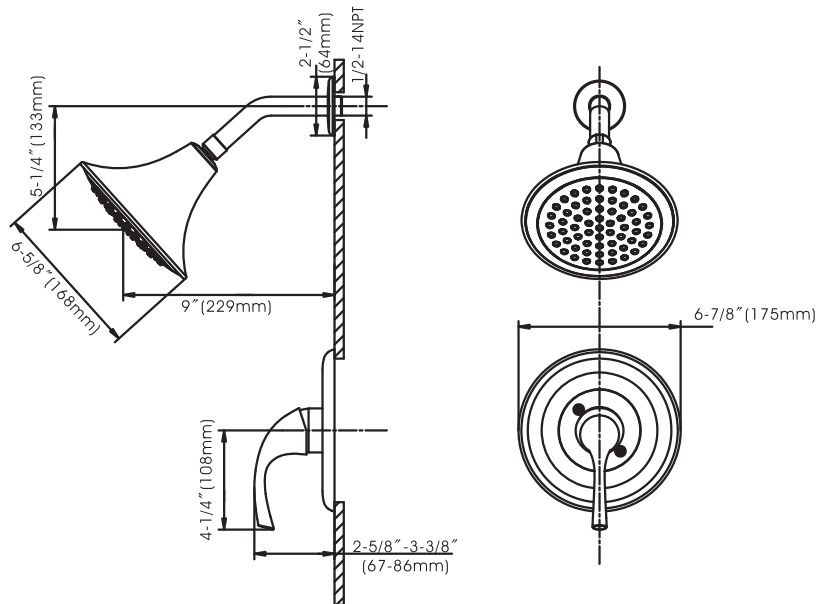
Grand Series Shower Only Trim Pack



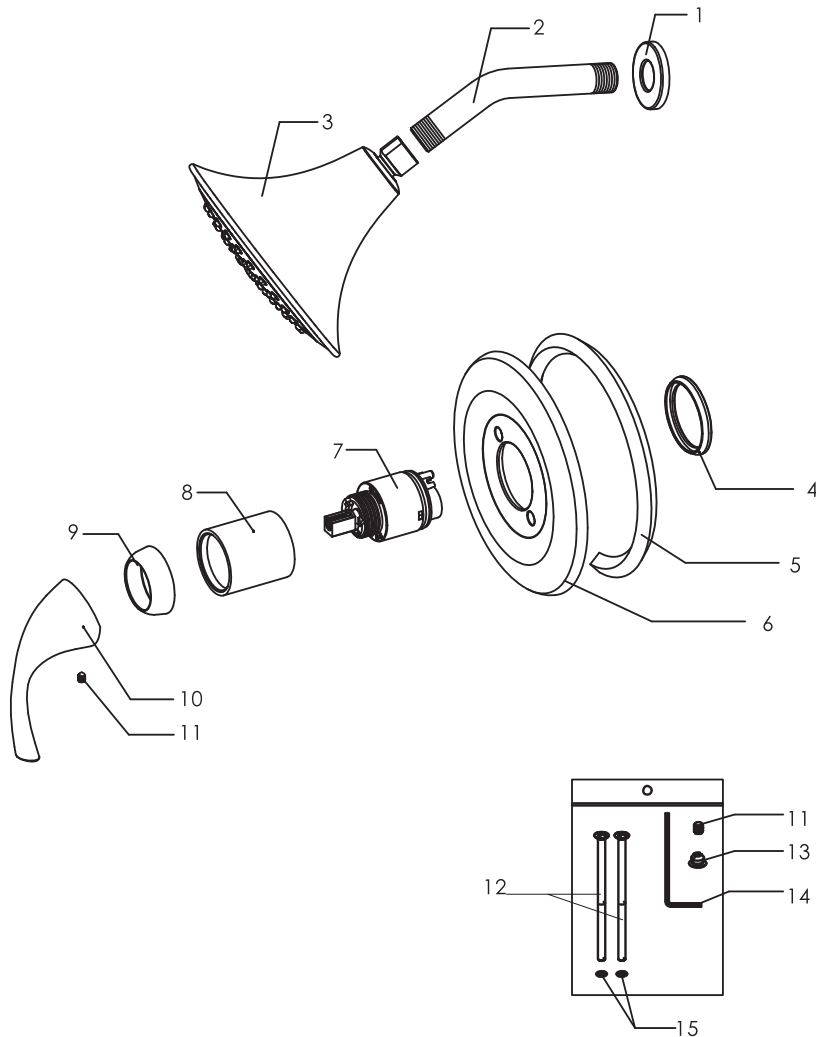
Model No. : 192-6185

- * Brushed Nickel Finish
- * One Piece Pressure Balanced Ceramic Cartridge with Balancing Spool
- * Back-to-Back Installation Capability
- * 6-1/2" Single Function Shower Head
- * Metal Shower Arm with Flange
- * Metal Escutcheon with Screws
- * Zinc Handle
- * Matching Finish Trim Sleeve
- * 1.5 GPM@80 PSI Shower Head

Model No. : 192-6208 (Polished Chrome) 192-6185 (Brushed Nickel) 192-6211 (Oil-Rubbed Bronze)



Grand Series Shower Only Trim Pack

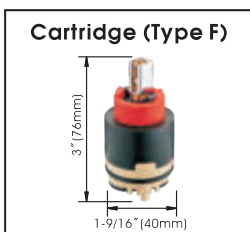


Model No. :

192-6208 (Polished Chrome)

192-6185 (Brushed Nickel)

192-6211 (Oil-Rubbed Bronze)



No.	Part Name	Material
1	Shower Arm Flange	Stainless Steel
2	Shower Arm	Stainless Steel
3	Shower Head	Plastic
4	Sealing Ring	Rubber
5	Sealing Ring	Sponge
6	Escutcheon	Stainless Steel
7	Cartridge	Ceramic
8	Cartridge Sleeve	Brass
9	Cartridge Locknut	Zinc
10	Handle	Zinc
11	Set Screw	Stainless Steel
12	Escutcheon Screw	Stainless Steel
13	Hot/Cold Button	Plastic
14	Allen Key	Steel
15	Escutcheon Screw O-rings	Rubber

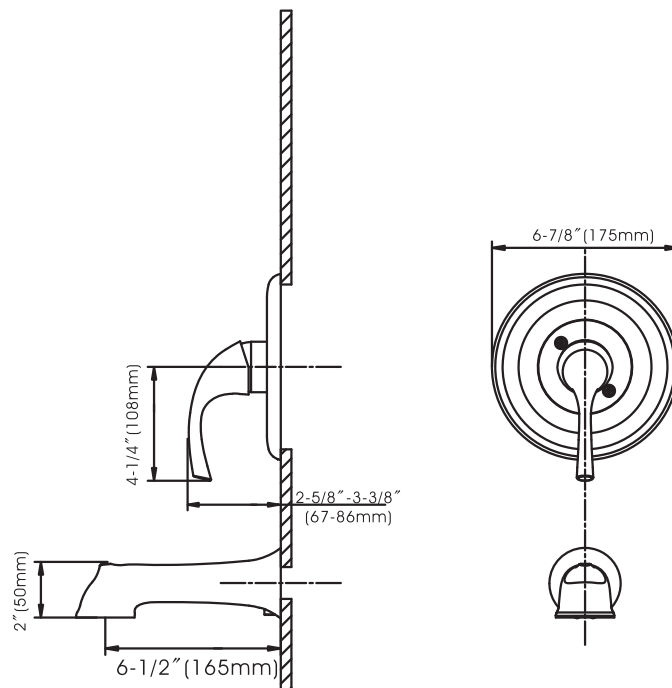
Grand Series Tub Only Trim Pack



• Model No. : 192-6212

- * Oil-Rubbed Bronze Finish
- * One Piece Pressure Balanced Ceramic Cartridge with Balancing Spool
- * Back-to-Back Installation Capability
- * Metal Escutcheon with Screws
- * Zinc Handle
- * Matching Finish Trim Sleeve
- * 7.0 GPM@80 PSI Non-Diverter Tub Spout with easy "Snap In" design

Model No. : 192-6209 (Polished Chrome) 192-6210 (Brushed Nickel) 192-6212 (Oil-Rubbed Bronze)



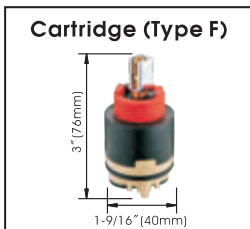
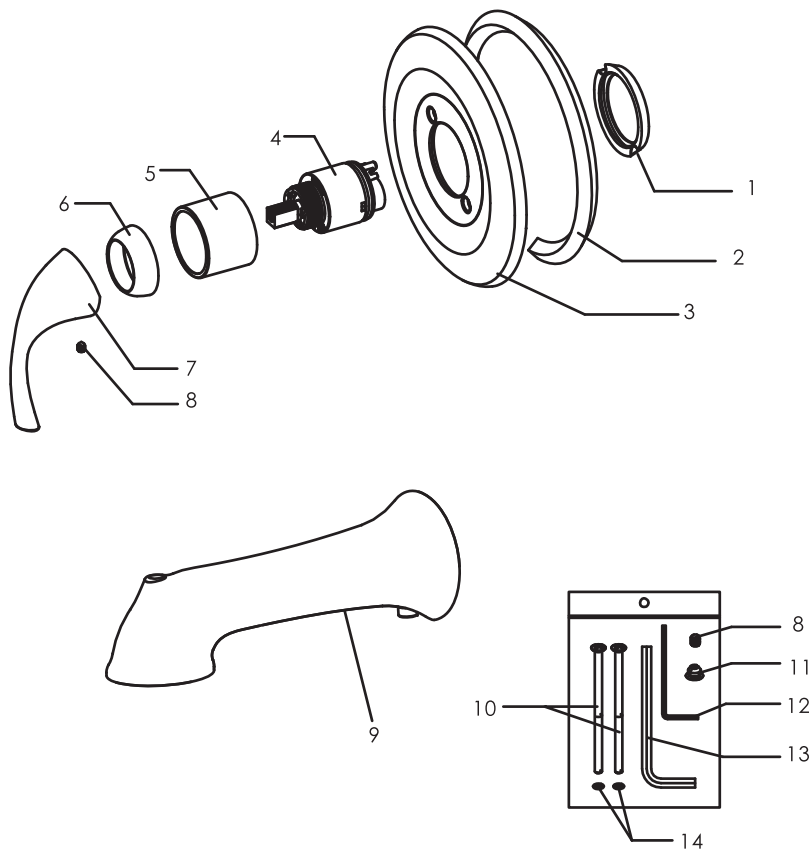
Grand Series Tub Only Trim Pack

Model No. :

192-6209 (Polished Chrome)

192-6210 (Brushed Nickel)

192-6212 (Oil-Rubbed Bronze)



No.	Part Name	Material
1	Sealing Ring	Rubber
2	Sealing Ring	Sponge
3	Escutcheon	Stainless Steel
4	Cartridge	Ceramic
5	Cartridge Sleeve	Brass
6	Cartridge Locknut	Zinc
7	Handle	Zinc
8	Set Screw	Stainless Steel
9	Tub Spout	Zinc
10	Escutcheon Screw	Stainless Steel
11	Hot/Cold Button	Plastic
12	Allen Key	Steel
13	Allen Key	Steel
14	Escutcheon Screw O-rings	Rubber

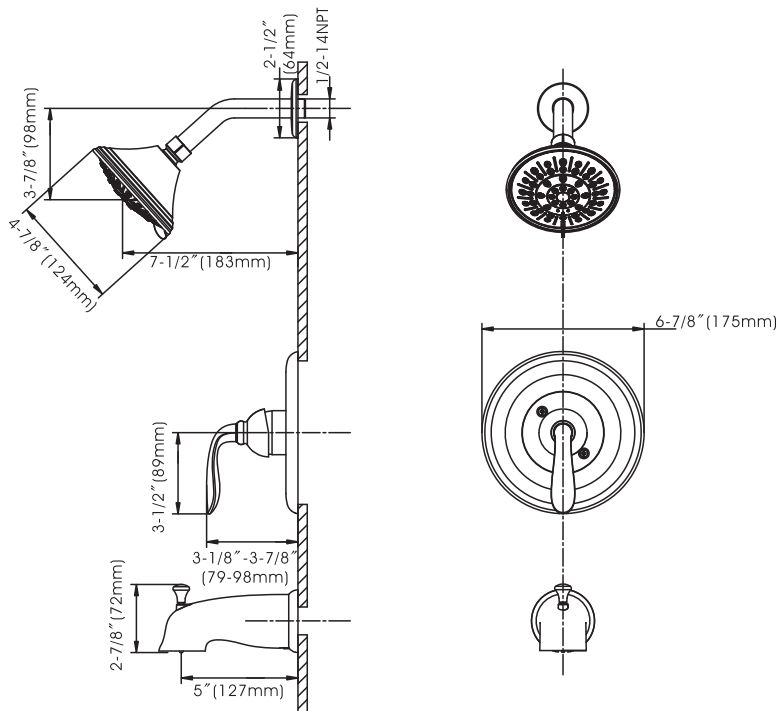
Majestic Series Tub and Shower Trim Pack



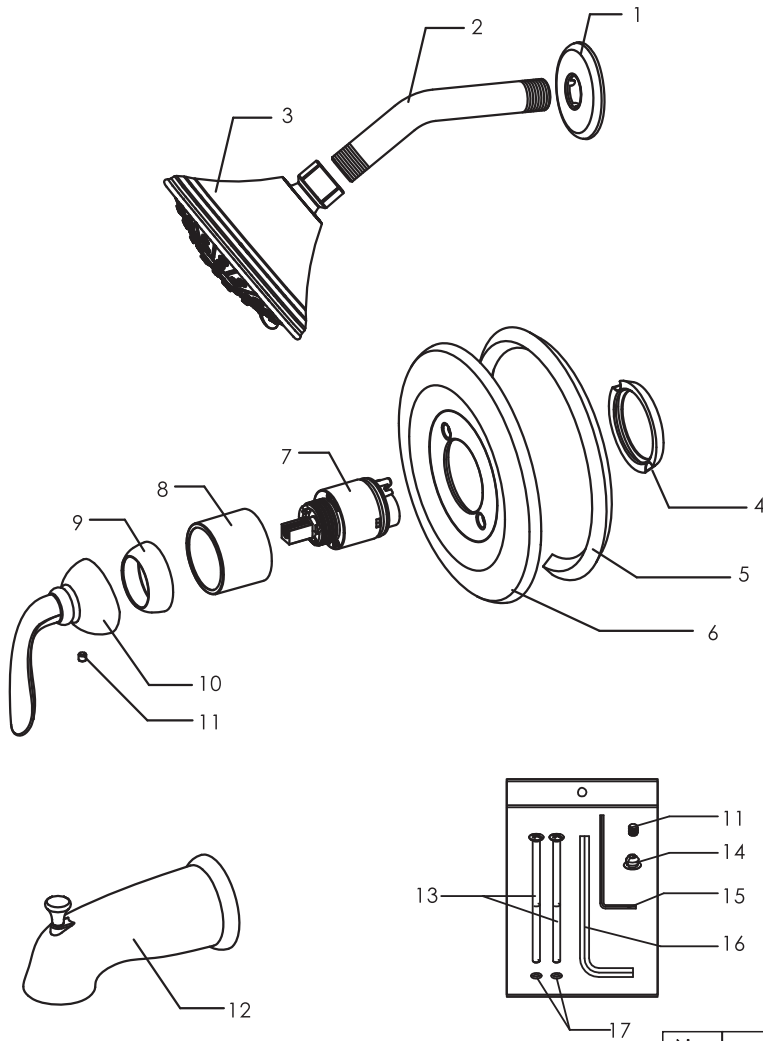
• Model No. : 192-6180

- * Polished Chrome Finish
- * One Piece Pressure Balanced Ceramic Cartridge with Balancing Spool
- * Back-to-Back Installation Capability
- * 5" Three Function Shower Head
- * Metal Shower Arm with Flange
- * Metal Escutcheon with Screws
- * Zinc Handle
- * Matching Finish Trim Sleeve
- * 1.5 GPM@80 PSI Shower Head
- * 7.0 GPM@80 PSI Diverter Tub Spout with easy "Snap In" design

Model No. : 192-6180 (Polished Chrome) 192-6181 (Brushed Nickel) 192-6182 (Oil-Rubbed Bronze)



Majestic Series Tub and Shower Trim Pack



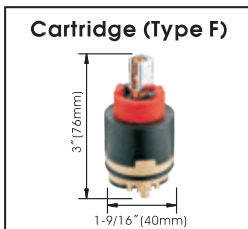
Model No. :

192-6180 (Polished Chrome)

192-6181 (Brushed Nickel)

192-6182 (Oil-Rubbed Bronze)

No.	Part Name	Material
1	Shower Arm Flange	Stainless Steel
2	Shower Arm	Stainless Steel
3	Shower Head	Plastic
4	Sealing Ring	Rubber
5	Sealing Ring	Sponge
6	Escutcheon	Stainless Steel
7	Cartridge	Ceramic
8	Cartridge Sleeve	Brass
9	Cartridge Locknut	Zinc
10	Handle	Zinc
11	Set Screw	Stainless Steel
12	Tub Spout	Zinc
13	Escutcheon Screw	Stainless Steel
14	Hot/Cold Button	Plastic
15	Allen Key	Steel
16	Allen Key	Steel
17	Escutcheon Screw O-rings	Rubber



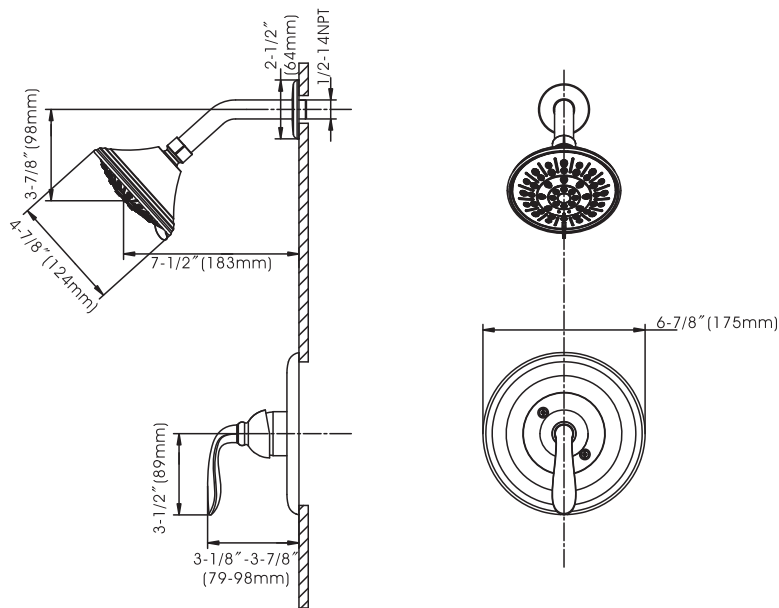
Majestic Series Shower Only Trim Pack



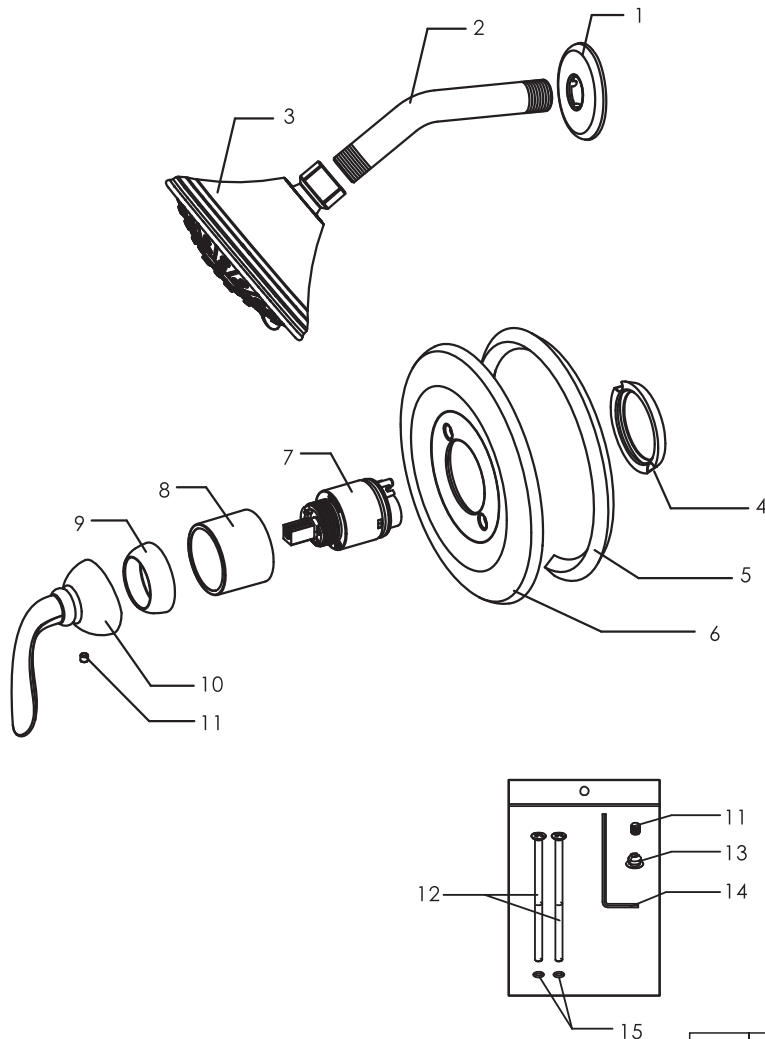
Model No. : 192-6215

- * Brushed Nickel Finish
- * One Piece Pressure Balanced Ceramic Cartridge with Balancing Spool
- * Back-to-Back Installation Capability
- * 5" Three Function Shower Head
- * Metal Shower Arm with Flange
- * Metal Escutcheon with Screws
- * Zinc Handle
- * Matching Finish Trim Sleeve
- * 1.5 GPM@80 PSI Shower Head

Model No. : 192-6213 (Polished Chrome) 192-6215 (Brushed Nickel) 192-6217 (Oil-Rubbed Bronze)



Majestic Series Shower Only Trim Pack

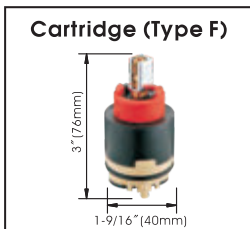


Model No. :

192-6213 (Polished Chrome)

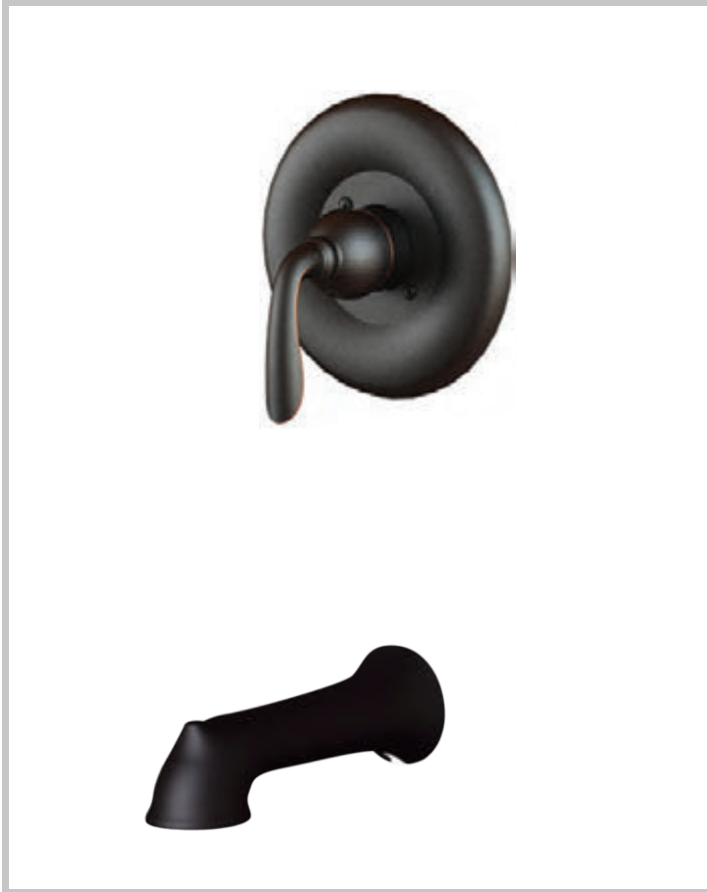
192-6215 (Brushed Nickel)

192-6217 (Oil-Rubbed Bronze)



No.	Part Name	Material
1	Shower Arm Flange	Stainless Steel
2	Shower Arm	Stainless Steel
3	Shower Head	Plastic
4	Sealing Ring	Rubber
5	Sealing Ring	Sponge
6	Escutcheon	Stainless Steel
7	Cartridge	Ceramic
8	Cartridge Sleeve	Brass
9	Cartridge Locknut	Zinc
10	Handle	Zinc
11	Set Screw	Stainless Steel
12	Escutcheon Screw	Stainless Steel
13	Hot/Cold Button	Plastic
14	Allen Key	Steel
15	Escutcheon Screw O-rings	Rubber

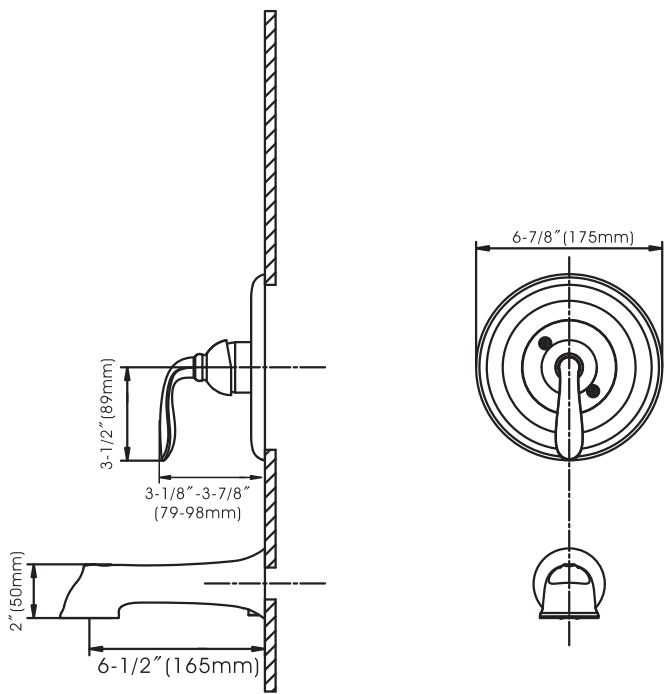
Majestic Series Tub Only Trim Pack



Model No. : 192-6218

- * Oil-Rubbed Bronze Finish
- * One Piece Pressure Balanced Ceramic Cartridge with Balancing Spool
- * Back-to-Back Installation Capability
- * Metal Escutcheon with Screws
- * Zinc Handle
- * Matching Finish Trim Sleeve
- * 7.0 GPM@80 PSI Non-Diverter Tub Spout with easy "Snap In" design

Model No. : 192-6214 (Polished Chrome) 192-6216 (Brushed Nickel) 192-6218 (Oil-Rubbed Bronze)



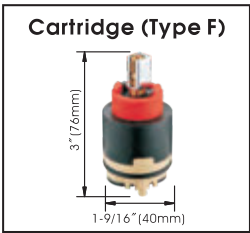
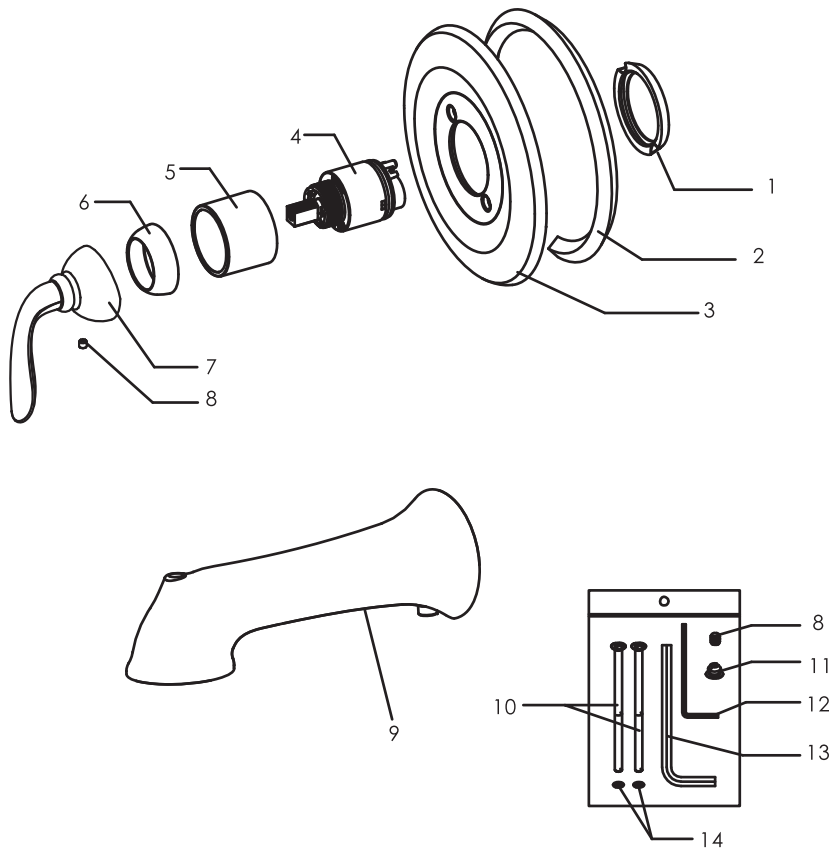
Majestic Series Tub Only Trim Pack

Model No. :

192-6214 (Polished Chrome)

192-6216 (Brushed Nickel)

192-6218 (Oil-Rubbed Bronze)



No.	Part Name	Material
1	Sealing Ring	Rubber
2	Sealing Ring	Sponge
3	Escutcheon	Stainless Steel
4	Cartridge	Ceramic
5	Cartridge Sleeve	Brass
6	Cartridge Locknut	Zinc
7	Handle	Zinc
8	Set Screw	Stainless Steel
9	Tub Spout	Zinc
10	Escutcheon Screw	Stainless Steel
11	Hot/Cold Button	Plastic
12	Allen Key	Steel
13	Allen Key	Steel
14	Escutcheon Screw O-rings	Rubber

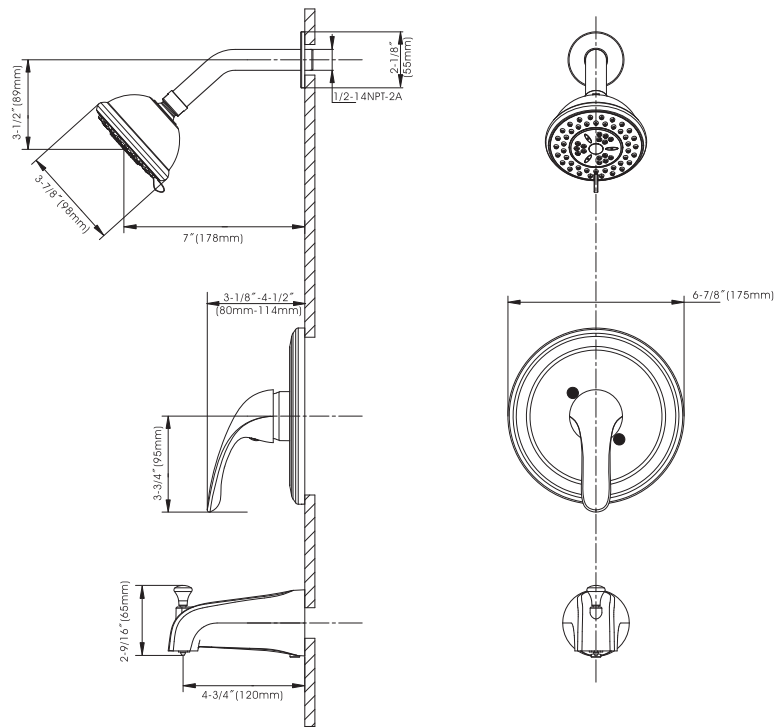
Noble Series Tub and Shower Trim Pack



Model No. : 212-5901

- * Pressure Balanced Cartridge (Type F)
- * Back-to-Back Installation Capability
- * 5-1/2" Metal Diverter Tub Spout with easy "Snap In" design
- * 6-1/2" Metal Round Plate
- * Metal Shower Arm with Flange
- * 3 Function Shower Head
- * Zinc Handle
- * 1.5 GPM@80 PSI 3 Function Shower Head
- * 7 GPM@80 PSI Spout

Model No. : 212-5901 (Polished Chrome) 212-5902 (Brushed Nickel) 212-5903 (Oil-Rubbed Bronze)



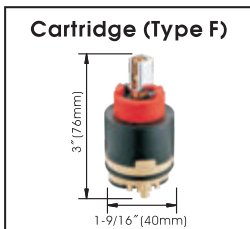
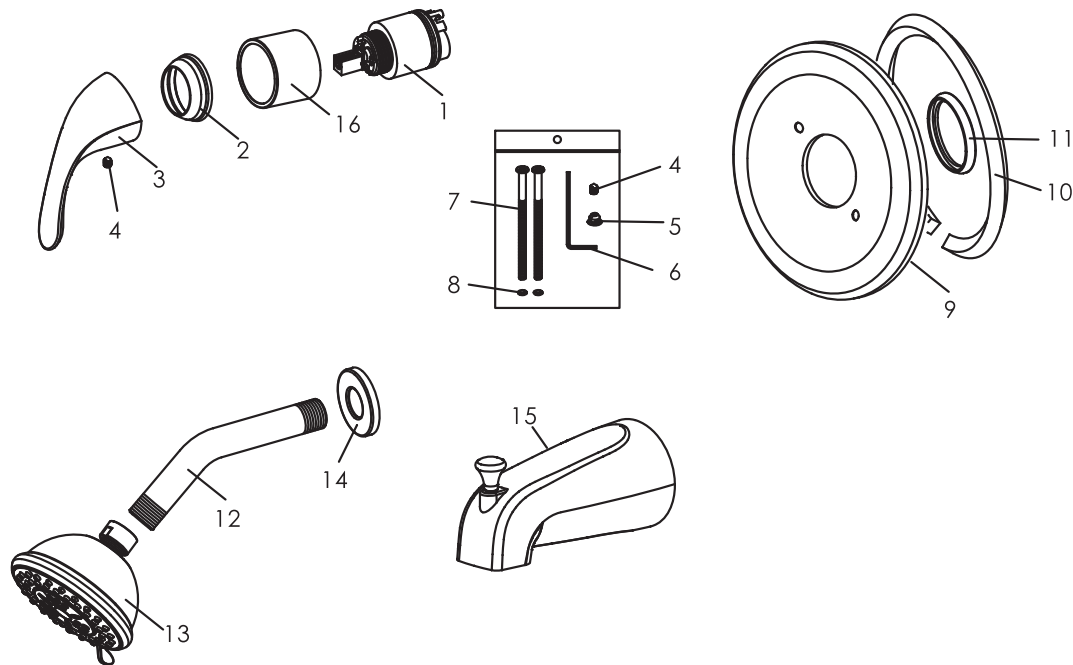
Noble Series Tub and Shower Trim Pack

Model No. :

212-5901 (Polished Chrome)

212-5902 (Brushed Nickel)

212-5903 (Oil-Rubbed Bronze)



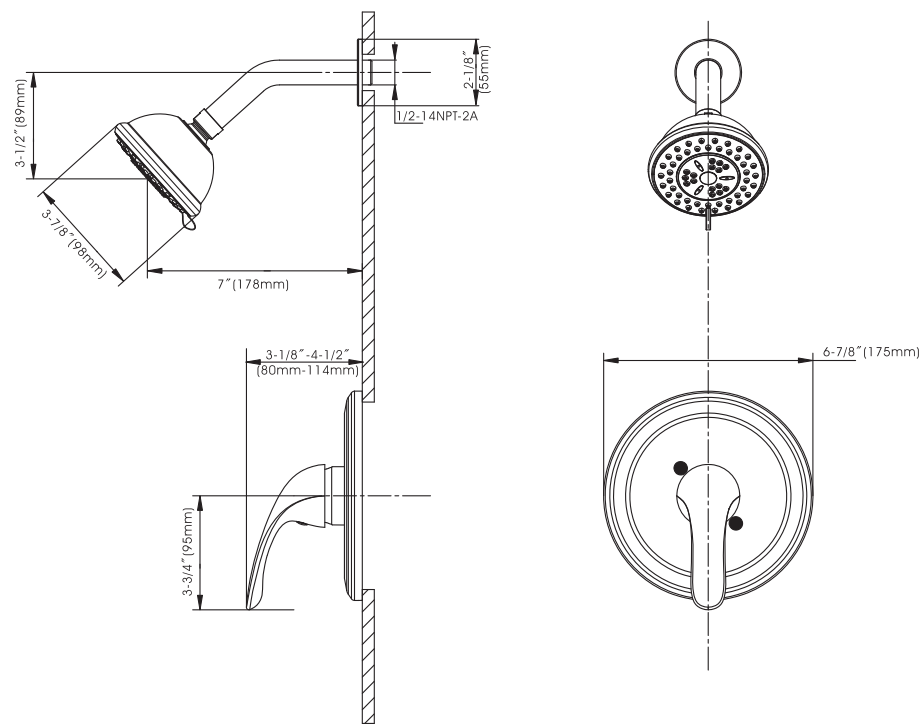
No.	Part Name	Material
1	Cartridge	Ceramic
2	Cartridge Housing Cap	Zinc
3	Handle	Zinc
4	Screw	Stainless Steel
5	Index	Plastic
6	Allen Key	Steel
7	Screw	Stainless Steel
8	O-ring	Rubber
9	Deck Plate	Stainless Steel
10	Gasket	Sponge
11	Sealing Ring	Rubber
12	Shower Arm	Stainless Steel
13	Shower Head	Plastic
14	Stainless Cap	Stainless Steel
15	Spout	Zinc
16	Cartridge Cover	Brass

Noble Series Shower Only Trim Pack



- **Model No. : 212-5905**
- * Pressure Balanced Cartridge (Type F)
- * Back-to-Back Installation Capability
- * 6-1/2" Metal Round Plate
- * Metal Shower Arm with Flange
- * 1.5 GPM@80 PSI 3 Function Shower Head
- * Zinc Handle

Model No. : 212-5904 (Polished Chrome) 212-5905 (Brushed Nickel) 212-5906 (Oil-Rubbed Bronze)



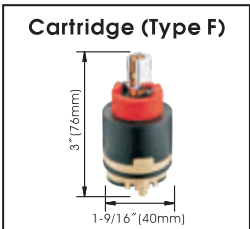
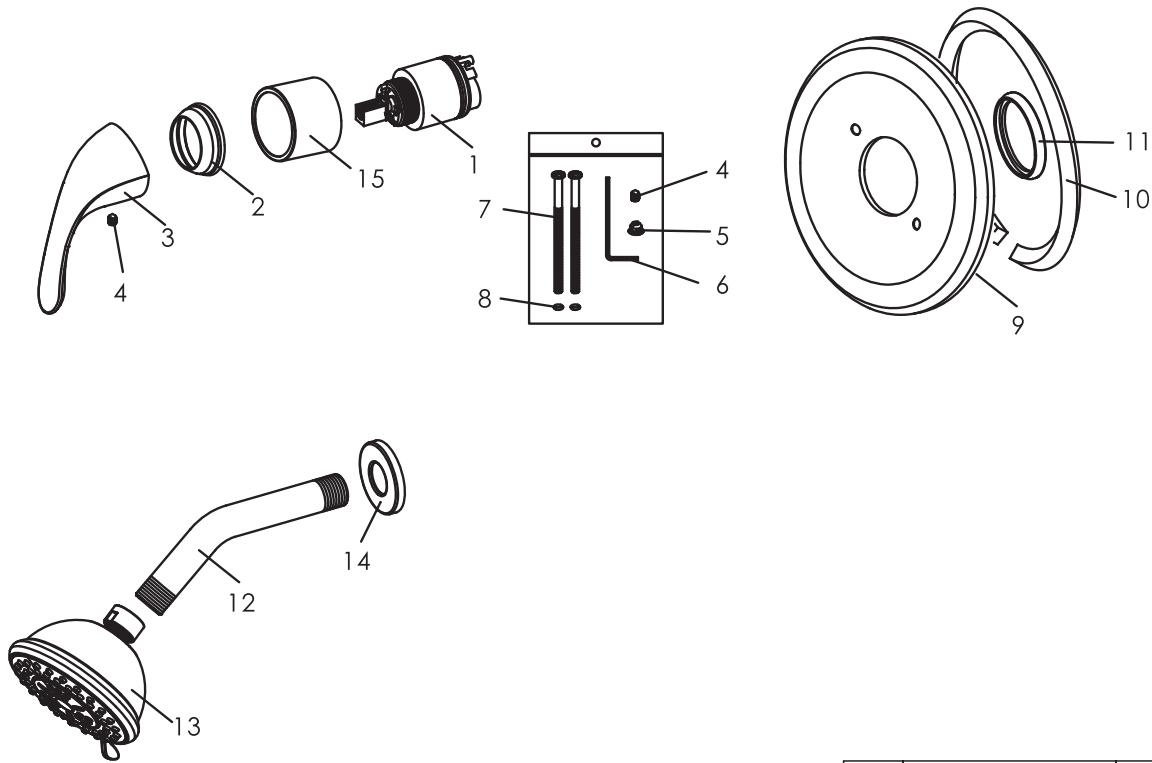
Noble Series Shower Only Trim Pack

Model No. :

212-5904 (Polished Chrome)

212-5905 (Brushed Nickel)

212-5906 (Oil-Rubbed Bronze)



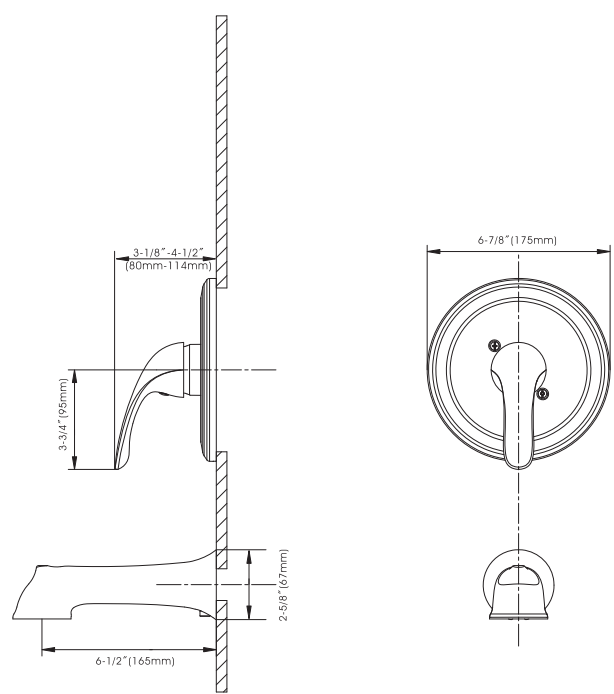
No.	Part Name	Material
1	Cartridge	Ceramic
2	Cartridge Housing Cap	Zinc
3	Handle	Zinc
4	Screw	Stainless Steel
5	Index	Plastic
6	Allen Key	Steel
7	Screw	Stainless Steel
8	O-ring	Rubber
9	Deck Plate	Stainless Steel
10	Gasket	Sponge
11	Sealing Ring	Rubber
12	Shower Arm	Stainless Steel
13	Shower Head	Plastic
14	Stainless Cap	Stainless Steel
15	Cartridge Cover	Brass

Noble Series Tub Only Trim Pack



- **Model No. : 212-5909**
- * Pressure Balanced Cartridge (Type F)
- * Back-to-Back Installation Capability
- * 7" Metal Non-Diverter Tub Spout with easy "Snap In" design
- * 6-1/2" Metal Round Plate
- * Zinc Handle
- * 7 GPM@80 PSI Spout

Model No. : 212-5907 (Polished Chrome) 212-5908 (Brushed Nickel) 212-5909 (Oil-Rubbed Bronze)



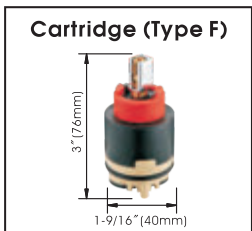
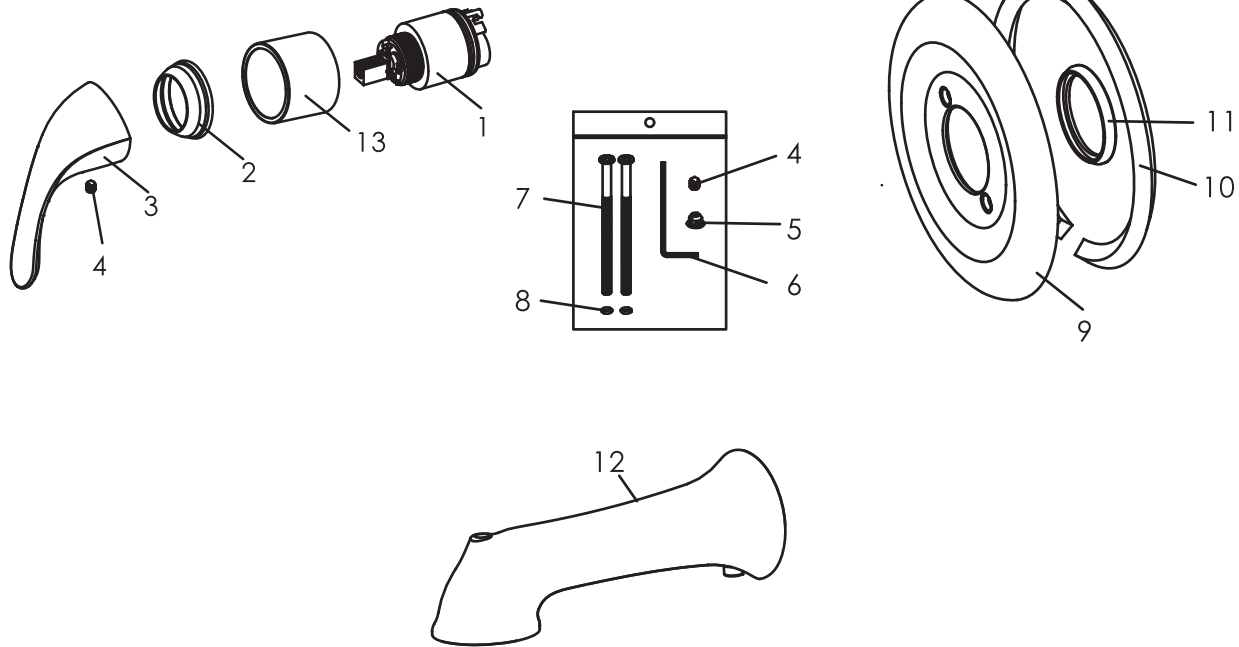
Noble Series Tub Only Trim Pack

Model No. :

212-5907 (Polished Chrome)

212-5908 (Brushed Nickel)

212-5909 (Oil-Rubbed Bronze)



No.	Part Name	Material
1	Cartridge	Ceramic
2	Cartridge Housing Cap	Zinc
3	Handle	Zinc
4	Screw	Stainless Steel
5	Index	Plastic
6	Allen Key	Steel
7	Screw	Stainless Steel
8	O-ring	Rubber
9	Deck Plate	Stainless Steel
10	Gasket	Sponge
11	Sealing Ring	Rubber
12	Spout	Zinc
13	Cartridge Cover	Brass

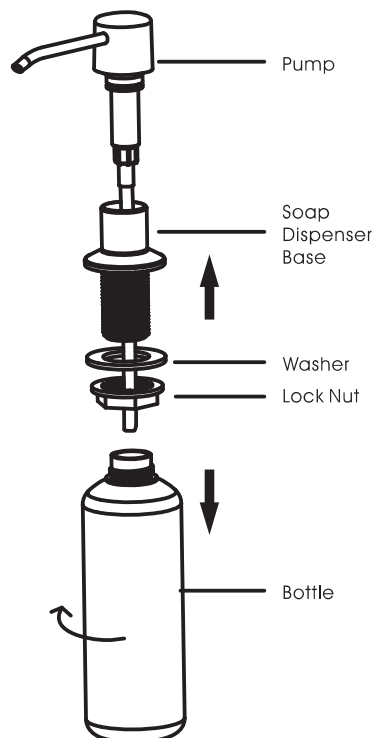


Brass Soap Dispenser



■ Model No. : 482-5718

- *Polished Chrome Finish
- *Bottle holds up to 12 oz. of liquid soap or lotion
- *Above-the-counter refill
- *Durable brass cap, shank and lock nut construction
- *Fit surfaces up to 1-1/4" (32cm) thick

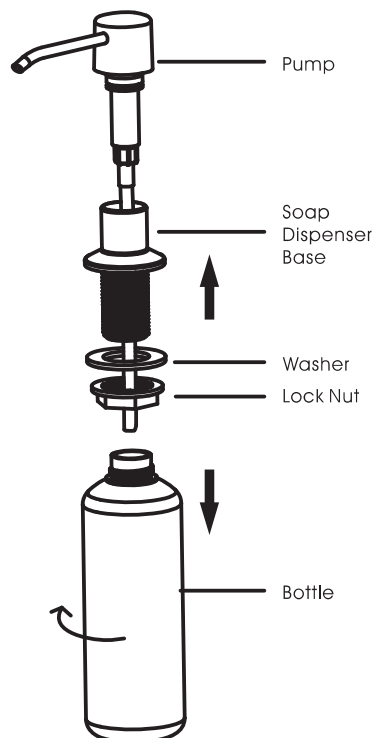


Brass Soap Dispenser



■ Model No. : 482-5719

- *Brushed Nickel Finish
- *Bottle holds up to 12 oz. of liquid soap or lotion
- *Above-the-counter refill
- *Durable brass cap, shank and lock nut construction
- *Fit surfaces up to 1-1/4" (32cm) thick



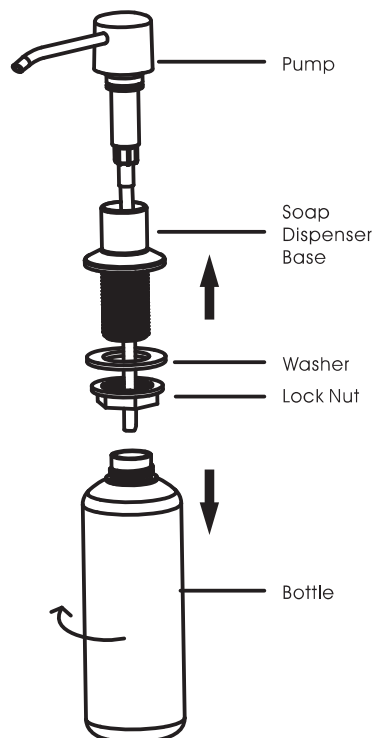


Brass Soap Dispenser



■ Model No. : 482-5720

- *Oil Rubbed Bronze Finish
- *Bottle holds up to 12 oz. of liquid soap or lotion
- *Above-the-counter refill
- *Durable brass cap, shank and lock nut construction
- *Fit surfaces up to 1-1/4" (32cm) thick

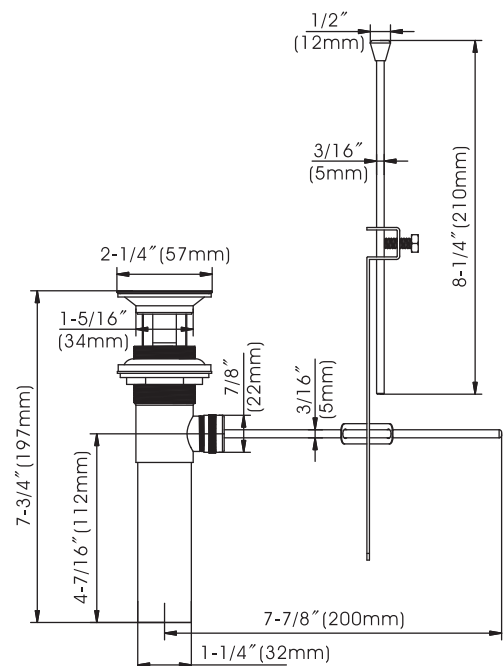
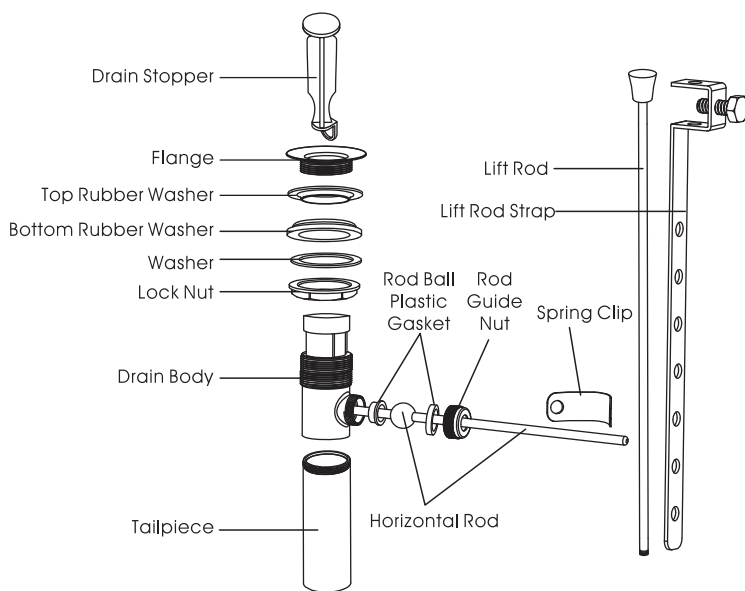


Pop-Up Drain



■ **Model No. : 202-4075**

- * Chrome Finish
- * Brass Pop-Up

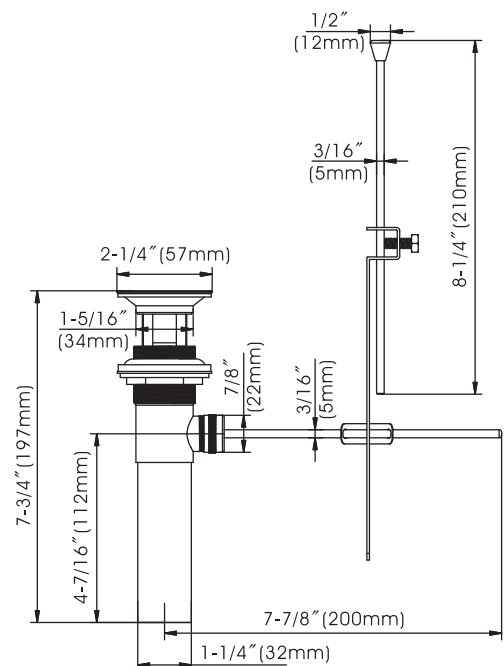
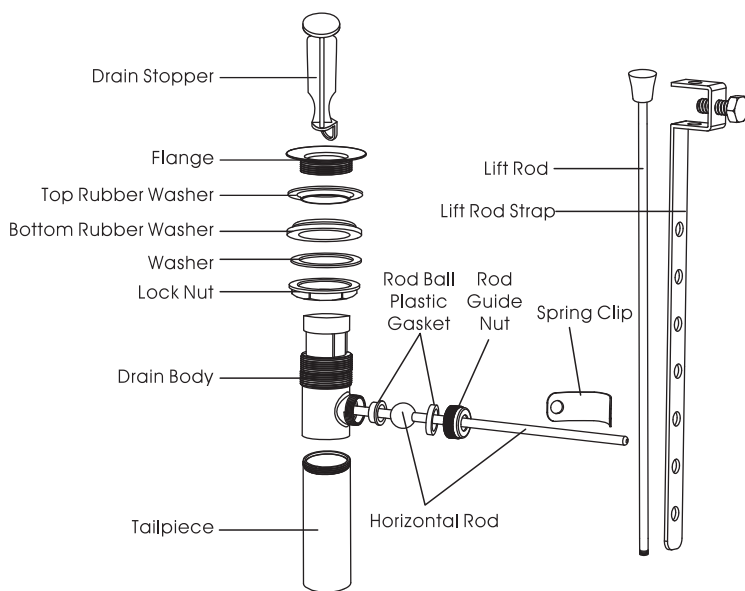


Pop-Up Drain



■ **Model No. : 202-4077**

- * Brushed Nickel Finish
- * Brass Pop-Up

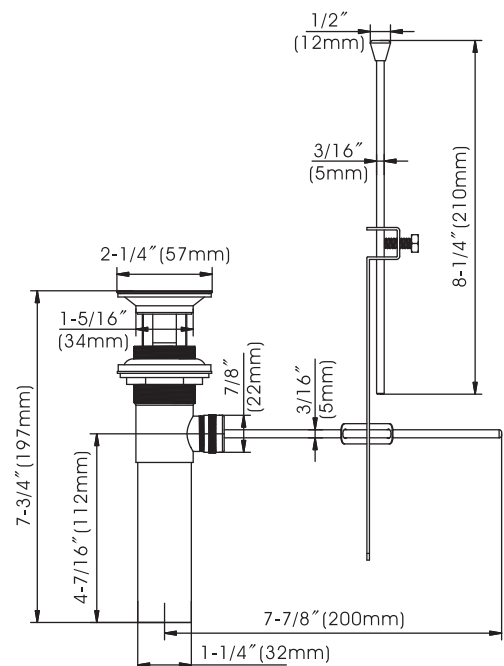
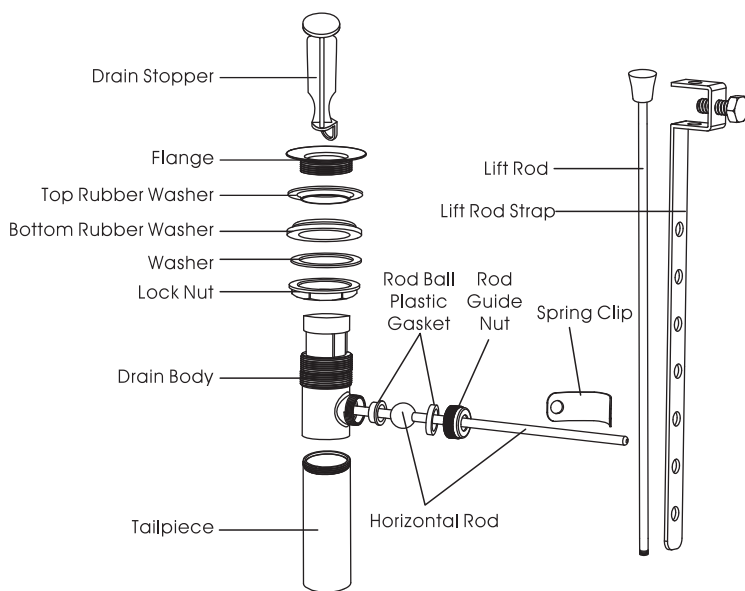


Pop-Up Drain

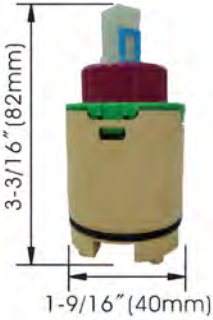








■ **Model No. : 202-6108**





- * Oil-Rubbed Bronze Finish
- * Brass Pop-Up



◆◆◆◆◆ **Cartridge Details** ◆◆◆◆◆

			
3-3/16" (82mm) 1-9/16" (40mm)	3" (76mm) 1-9/16" (40mm)	3" (76mm) 1-9/16" (40mm)	2-3/16" (56mm) 1-3/8" (35mm)
Type D	Type E	Type F	Type G
892-6157 Ceramic Cartridge For Single Handle Pressure Balanced Tub & Shower Faucet	892-6158 40mm High Ceramic Cartridge For Single Handle Lavatory Faucet	892-6159 Ceramic Cartridge For Single Handle Pressure Balanced Contractor Tub & Shower Faucet	892-6160 35mm Ceramic Cartridge For Single Handle Pull-down or Pull-out Kitchen Faucet (excludes Model Numbers 191-6576 & 191-6577)

		
2-7/16" (63mm) 1-9/16" (40mm)	2" (50mm) 13/16" (20mm)	2" (50mm) 13/16" (20mm)
Type H	Type I Hot	Type I Cold
892-6161 40mm Ceramic Cartridge For Single Handle Kitchen Faucet and Model Numbers 191-6576 & 191-6577	892-6162 Hot 20mm 1/4" Turn Plastic Housing Ceramic Cartridge for Two Handle Lavatory & Bar Faucet	892-6163 Cold 20mm 1/4" Turn Plastic Housing Ceramic Cartridge for Two Handle Lavatory & Bar Faucet

			
2-1/4" (57mm) 7/8" (23mm)	2-1/4" (57mm) 7/8" (23mm)	2-5/16" (60mm) 1-1/8" (29mm)	2-5/16" (60mm) 1-1/8" (29mm)
Type J Hot	Type J Cold	Type K Hot	Type K Cold
892-6164 Hot & Cold 23mm 1/4" Turn Brass Housing Ceramic Cartridge for Two Handle Wide Spread Lavatory Faucet	892-6165 Hot & Cold 23mm 1/4" Turn Brass Housing Ceramic Cartridge for Two Handle Wide Spread Lavatory Faucet	892-6166 Hot & Cold 29mm 1/4" Turn Brass Housing Ceramic Cartridge for Two Handle Roman Tub Wide Spread Faucet	892-6167 Hot & Cold 29mm 1/4" Turn Brass Housing Ceramic Cartridge for Two Handle Roman Tub Wide Spread Faucet



MAINTENANCE

Your new faucet is designed for years of trouble-free performance. Keep it looking new by cleaning it periodically with a soft, damp cloth.

Avoid abrasive cleaners, steel wool and harsh chemicals as these will dull the finish and void your warranty.

LIMITED LIFETIME WARRANTY

Compass Manufacturing International warrants to the original consumer purchaser that the faucet be free from defects in material and workmanship for as long as the original consumer purchaser owns the home in which the faucet was first installed.

In the event that Freendo faucets are used in a Commercial Application, this warranty is limited for a period of 5 years, unless otherwise specifically stated in the catalog and/or price book.

Compass Manufacturing International will replace, free of charge, during the applicable warranty period, any part or finish that proves defective in material and/or workmanship under normal installation, use and service. This warranty shall not apply to goods which have been subject to accidents, negligence or improper installation. Compass Manufacturing International will not be liable for other damages or losses, including, but not limited to: labor charges and/or damages incurred in installation, repair or replacement as well as any other kind of loss or damage. Proof of purchase from the original consumer purchaser must be made available for all warranty claims.

Compass Manufacturing International recommends using a professional plumber for all installation and repair. Compass Manufacturing International will, at its discretion, provide replacement parts for installation by consumer for any parts that prove defective under normal usage and service with new or equivalent parts. Replacement parts may be obtained by emailing the address below, calling the number below or by writing to:

Compass Manufacturing International

Freendo Product Service

6702 Enterprise Drive

Louisville, KY 40214

800.626.3525

warranty@cmiproduct.com



(800) 626-3525
Fax (502) 361-6956
info@cmiproduct.com
www.cmiproduct.com