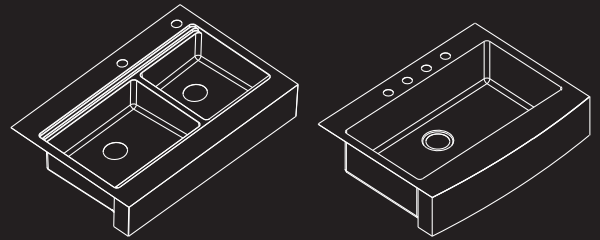


Retrofit Apron Front Farm Sink with Dual Mount Capability Installation Instructions

— For Drop-In Use Only —

For Undermount Installation Refer to Page 14



FOR EXPERIENCED AND PROFESSIONAL INSTALLATION ONLY

This installation project is designed for an advanced skill level.

Disclaimer: Undermount Application must use a modified sink base and solid surface countertop material.

Work Station Models: Undermount sinks have 3 installation options. A forward cut will obstruct the use of work station accessories. See page 14 for more information.

IMPORTANT! The countertop must be flat. This sink will not install to countertops with integral drip edges.

- * Countertop thickness cannot exceed 1-1/2" (38 mm).
- * Countertop cannot overhang the cabinet face more than 1-1/2" (38 mm).
- * Countertop must be fully supported by the cabinet.
- * Proper installation requires a coordinated effort including advanced dialog between the designer (or customer), the cabinet maker, the countertop fabricator and the sink installer during the design and installation phase.

***BEFORE INSTALLING THE SINK, INSPECT IT FOR DAMAGE. DO NOT INSTALL A DAMAGED UNIT.**

CAUTION: Risk of personal injury. Metal surfaces are sharp and can cause severe cuts. Please use gloves and handle sink with care.

* These instructions provide 2 different installation methods: new countertop installation and replacement.

Follow the instructions that apply to your installation method.

* Inspect the drain and supply lines; replace if necessary.

*** Remember it is your responsibility to follow all local plumbing and building codes. The warranty will be voided if these installation instructions are not followed.**

Tools Needed



Tape Measure



Waterproof Wood Glue



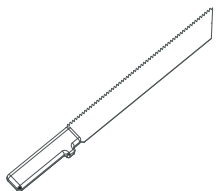
Safety Glasses



Painter's Tape



Felt-tip Marker



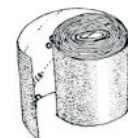
Laminate Jigsaw Blade



Scissors



Saw



Sandpaper



Silicone Sealant



Utility Knife



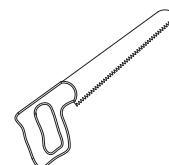
Level



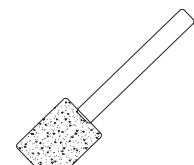
Flat Screwdriver



Square



Hand Saw

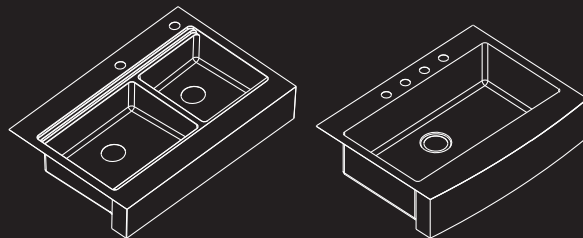


Foam-Brush

Have a question? DON'T GO BACK TO THE STORE. WE CAN HELP. Just call 1-800-626-3525, 8 a.m. to 5 p.m. EST Monday-Friday, or send an email to Help@cmiproduct.com.

Retrofit Apron Front Farm Sink with Dual Mount Capability Installation Instructions

— For Drop-In Use Only —



Before You Start

Please complete this check list.

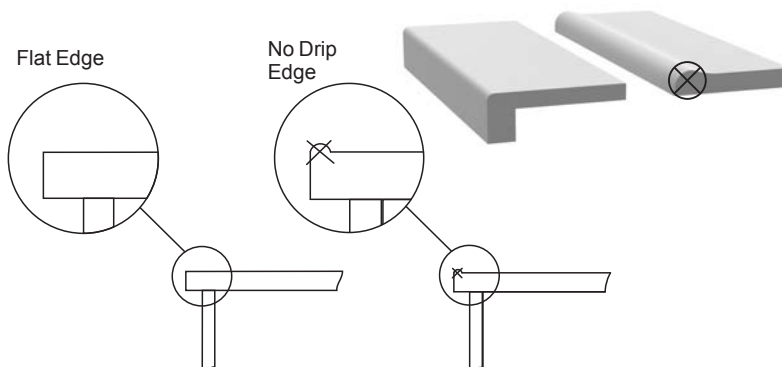
This sheet is designed to assist you in making an informed decision on the selection of your retrofit apron front farm sink. Please answer the following questions to determine whether your current kitchen cabinet can use this style of sink.

1) Is your countertop flat?

The countertop must be flat to assure a proper installation.

Please Note – Countertops with a “No Drip” edge will not work with this sink application.

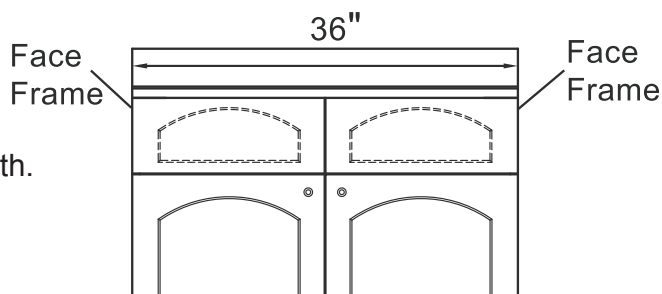
YES NO



2) Is your sink base cabinet 36" wide?

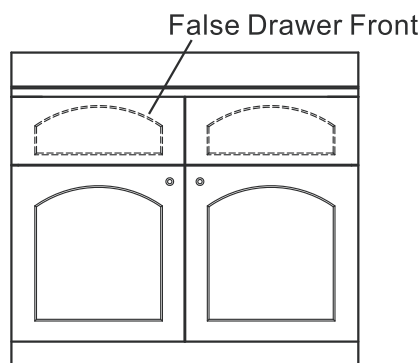
Measure the face frame from the left to the right on your sink base to determine the width.

YES NO



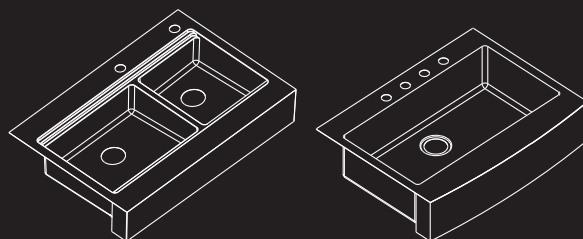
3) Does your cabinet have false drawer fronts? (Can be one or two false drawer front)

YES NO



Retrofit Apron Front Farm Sink with Dual Mount Capability Installation Instructions

— For Drop-In Use Only —

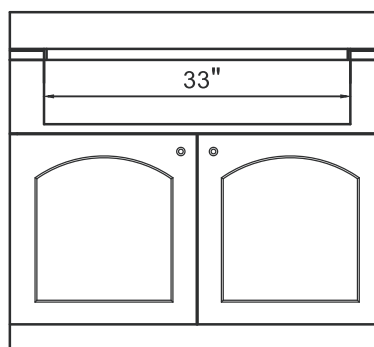


4) Is the dimension between the cabinet stiles 33"?

This measurement is the open space from left to right when the false drawer front is removed.

Typically, this distance can be measured from the inside of the cabinet without removing the false drawer fronts.

YES NO



5) Measure the distance from the top of the door rail to the top of the cabinet.

Add 1-1/2" to the measurement to account for the countertop height.

The total will tell you which sink to choose.

Typically this distance can be measured from the inside of the cabinet.

Total

7- 1/2" = Flat apron Front

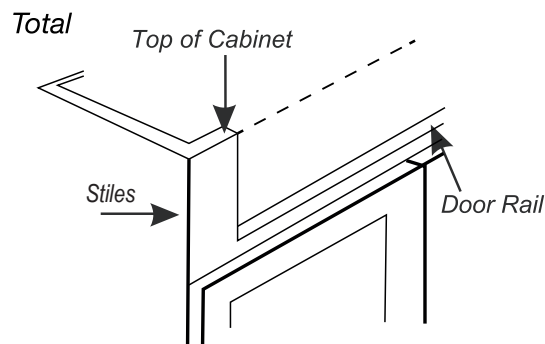
8" = Curved Apron Front

Please Note – a 7 1/2" Flat Front sink can be used for an 8" opening by furring out the 1/2" gap (furring strip not included).

If you have answered yes to these questions , you can choose one of the Apron front farm sinks for your kitchen.

Measurement

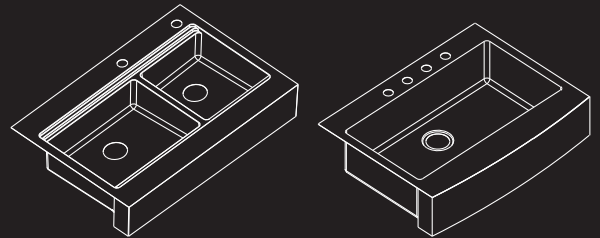
Measurement + 1-1/2"



SIZE	BOWL CONFIG.
33" x 24" x 8"	Single Bowl
33" x 24" x 8"	60/40 Double Bowl
33" x 24" x 8"	50/50 Double Bowl
33" x 25" x 8"	Single Bowl
33" x 25" x 8"	60/40 Double Bowl
33" x 25" x 8"	50/50 Double Bowl

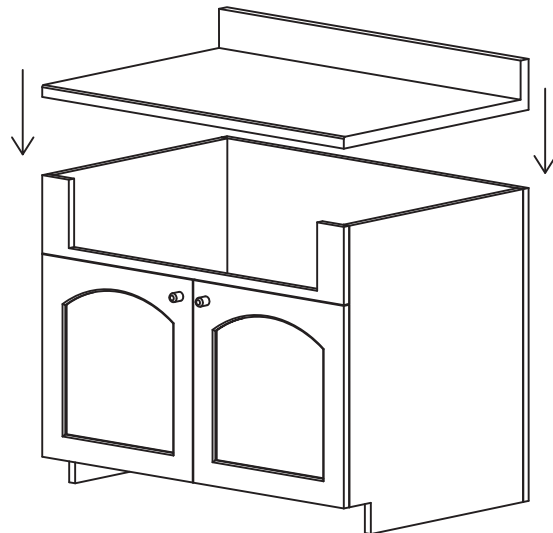
Retrofit Apron Front Farm Sink with Dual Mount Capability Installation Instructions

— For Drop-In Use Only —



1. Prepare the Cabinet - Replacement of an Existing Sink

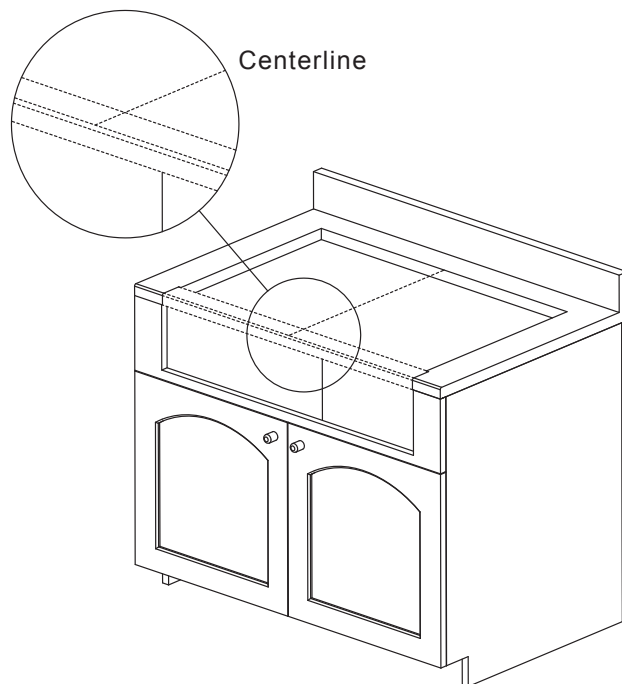
- Please remove the false fronts (two small or one large panel) please be careful not to damage the cabinet front.
- Apply painter's tape to the cabinet front, this will help prevent damaging the surface when cutting out the drawer fronts.
- If the cabinet has a center support (if you have two smaller false fronts you will have a center support) please remove it at this time. Cut along the bottom even with the drawer opening making sure you do not cut into the cabinet.
- Please remove the top rail, being careful not to cut into the cabinet stiles.



2. Preparing Your Countertop

If you have a New Countertop Installation please refer to page 9.

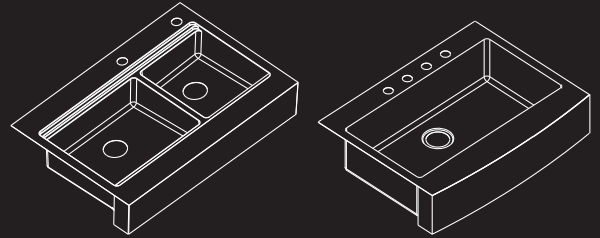
- Put the painter's tape at the centerline of the cabinet from the backsplash to the front edge of the countertop.
- Put the painter's tape across the front edge of the countertop along the entire width of the sink base cabinet.
- Mark the centerline of the cabinet onto the painter's tape.



Have a question? DON'T GO BACK TO THE STORE. WE CAN HELP. Just call 1-800-626-3525, 8 a.m. to 5 p.m. EST Monday-Friday, or send an email to Help@cmiproduct.com.

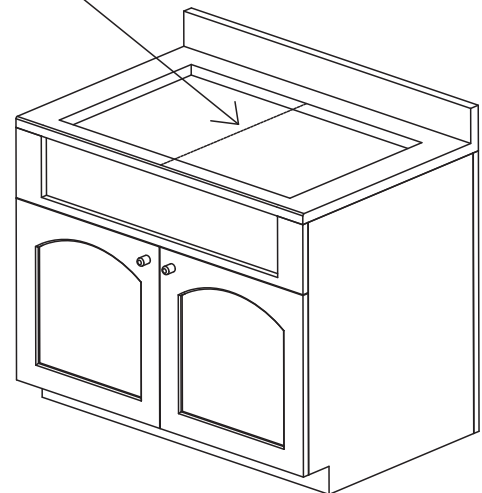
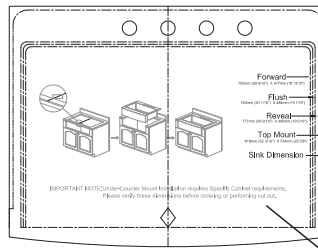
Retrofit Apron Front Farm Sink with Dual Mount Capability Installation Instructions

— For Drop-In Use Only —



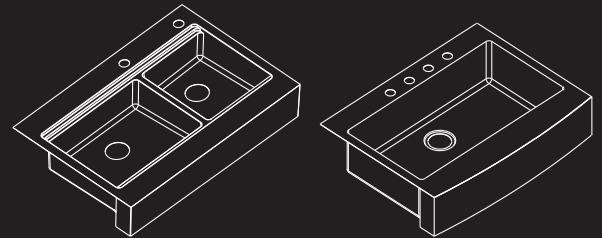
3. Trace the Template

- Cut out the paper template along the top mount marked line.
- Cut out the diamond on the template; this will help you line up the centerline; it should be in the center of the diamond.
- Please put painter's tape to all exposed outside edges prior to securing the template in place. This will help prevent chipping when cutting.
- Put the template on the countertop. Line up the template with the lines marked on the painter's tape over the pre-existing hole.
- Mark the 2 notches from the template 1-15/16" from the edge of the countertop.
- Tape the template in place.
- Trace the template on the applied painter's tape.
- Trace the notches at the front of the template.
- Remove the template
- Put painter's tape to the front of the countertop to prevent chipping the laminate when cutting.
- Extend the marked lines down the front of the countertop onto the painter's tape.



Retrofit Apron Front Farm Sink with Dual Mount Capability Installation Instructions

— For Drop-In Use Only —



4. Cut the Countertop

IMPORTANT! To avoid damage to the cabinet surfaces, cut the countertop in the order of the steps below.

Note: If your existing sink hole is set back close to the backsplash you will need to adjust the depth of the notch. This will allow you to slide the sink back further to get a tight fit.

TIP: To prevent chipping the laminate, put painter's tape to the edge of the countertop before cutting.

TIP: Make sure your equipment is in good working order and your blades are sharp to ensure a smooth installation and straight cuts.

1. Using the laminate saw blade cut the countertop along the inside marked line.
2. Carefully cut away from the cutout to the end of the marked line. Be careful not to damage the cabinet face. Repeat this step on the other side.
3. Carefully cut the marked notch out, cut in from the edge of the countertop and intersect it with the marked notch. Be careful not to damage the cabinet face.

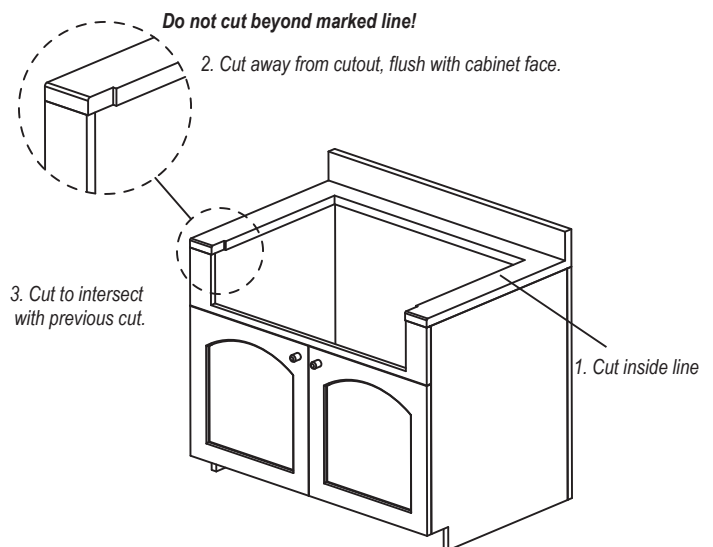
Repeat this step on the other side.

TIP: Please use sand paper to smooth all cut edges.

- Lower the sink carefully into the countertop opening to make sure it fits, do not force it. The fit will be tight. If the opening is too small please recheck your dimensions.

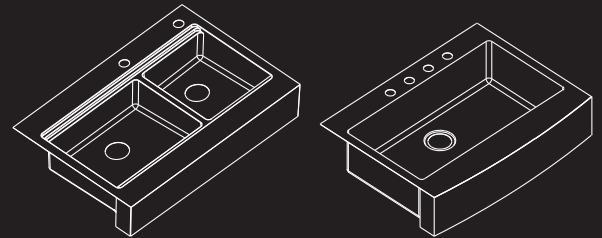
4. Very Important - Spread a generous amount of waterproof wood glue on both notches to seal the newly exposed wood. This will help to make this area water resistant and keep water from penetrating into the wood and swelling the underlayment. Please wipe away any excess glue.

TIP: Please wipe away any excess glue.
Please allow the wood glue to dry completely.



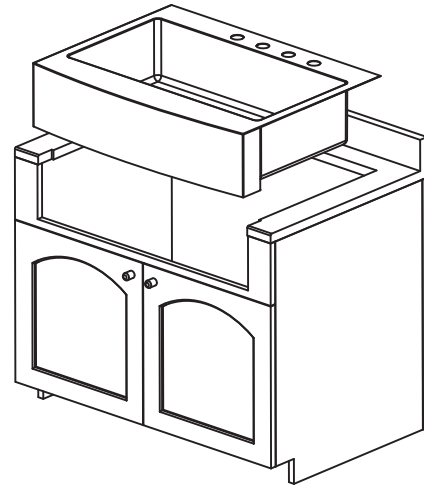
Retrofit Apron Front Farm Sink with Dual Mount Capability Installation Instructions

— For Drop-In Use Only —



5. Install the Sink

- To protect the cabinet finish, temporarily apply painter's tape around the cabinet cutout.
- Apply a bead of silicone around the cutout.
- Carefully lower the sink into the cabinet.
- Be sure to wipe away any excess silicone sealant.



6. Install the clips from under the cabinet.

- Slide three clips into either side of the back rail of the sink.
- Slide two clips into each side rail of the sink.
- Evenly space the clips.
- Assemble the screws into the U channel fasteners as shown.

NOTE: Screws are designed to insert into the channel fasteners with backward threading, so that when mounting they will turn in a counter-clockwise direction.

- Locate the fasteners in the position as shown.

- Hand tighten each fastener onto the channel so that the clamp "teeth" point in the same direction as the U channel. To install U channel fasteners in channel bar: Slide U channel fasteners in channel bar from either open end and /or slots in channel.

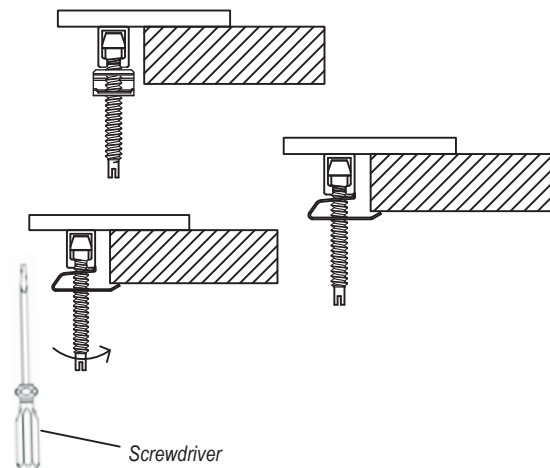
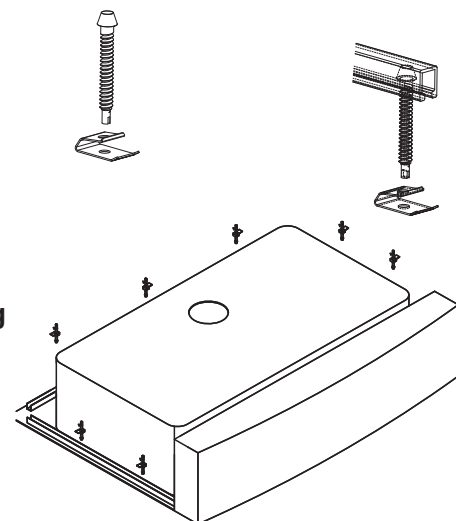
A. Place U channel fasteners equally spaced and with one at each end of channel bar, hand tighten channel fasteners, starting at the center and working toward sides.

B. Position the fasteners claw under the top edge as shown. Locate the fastener in position as shown. Caution: Improper tightening of channel fasteners could result in improper installation or cause damage to sink.

C. Re-check sinks position on countertop.

D. Tighten all channel fasteners an additional quarter turn with a flat head screwdriver.

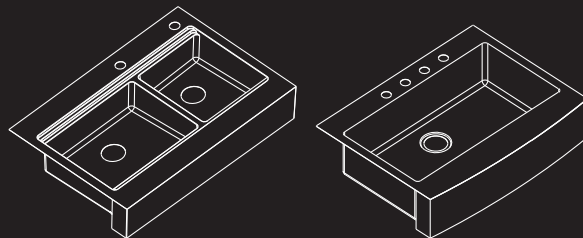
IMPORTANT! DO NOT OVERTIGHTEN.



Have a question? DON'T GO BACK TO THE STORE. WE CAN HELP. Just call 1-800-626-3525, 8 a.m. to 5 p.m. EST Monday-Friday, or send an email to Help@cmiproduct.com.

Retrofit Apron Front Farm Sink with Dual Mount Capability Installation Instructions

— For Drop-In Use Only —



7. Finishing the Installation

- Apply silicone sealant around the edge of the sink, be sure to completely cover the notched area where the countertop meets the apron front sink.

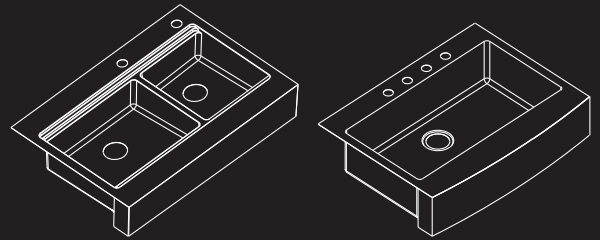
- Wipe away excess before it dries.

- Install the faucet and drain per manufacturer's installation instructions.

Note: To add a finishing touch to your new sink you can add a furring strip around the apron.
(please check to make sure the cabinet doors have clearance to accept a furring strip.)

Retrofit Apron Front Farm Sink with Dual Mount Capability Installation Instructions

— For Drop-In Use Only —



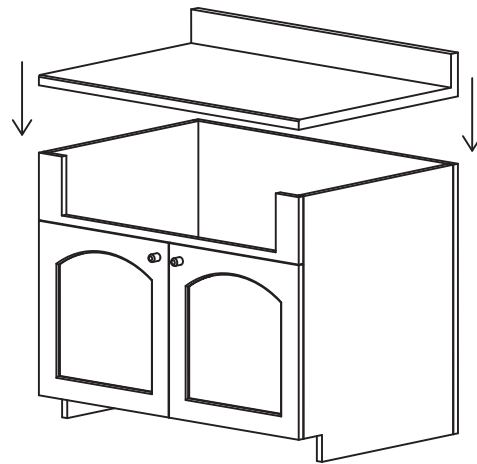
1. Prepare the cabinet - New Countertop Installation

- Please remove the false fronts (two small or one large panel) please be careful not to damage the cabinet front.

- Apply painter's tape to the cabinet front, this will help prevent damaging the surface when cutting out the drawer fronts.

- If the cabinet has a center support (if you have two smaller false fronts you will have a center support) please remove it at this time. Cut along the bottom even with the drawer opening making sure you do not cut into the cabinet.

- Please remove the top rail, being careful not to cut into the cabinet stiles.



2. New Countertop Installation

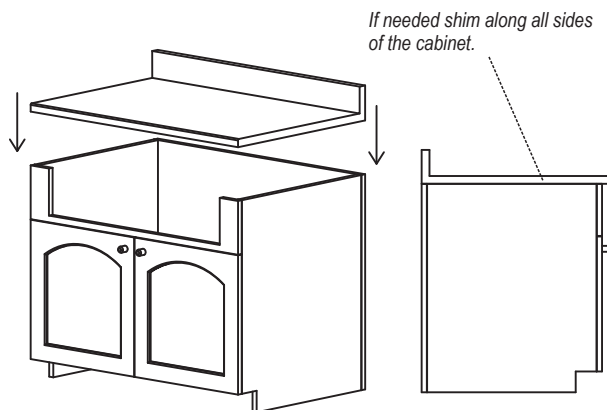
It is very important that you check to make sure your countertop is compatible with this retrofit apron front farm sink.

Your countertop thickness cannot exceed 1-1/2" (38mm)

Your countertop cannot overhang the cabinet face more than 1-1/2" (38mm).

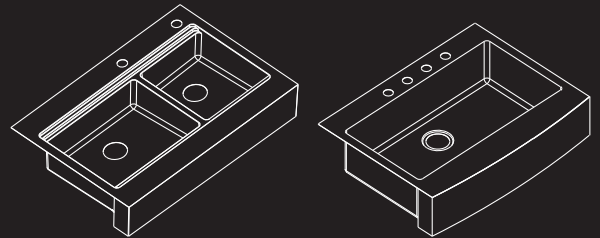
Your countertop must be fully supported by the cabinet. If it is not please shim the countertop as needed. Ensure the countertop is fully supported along the entire depth of the cabinet.

- Install the countertop per the manufacturer's instructions



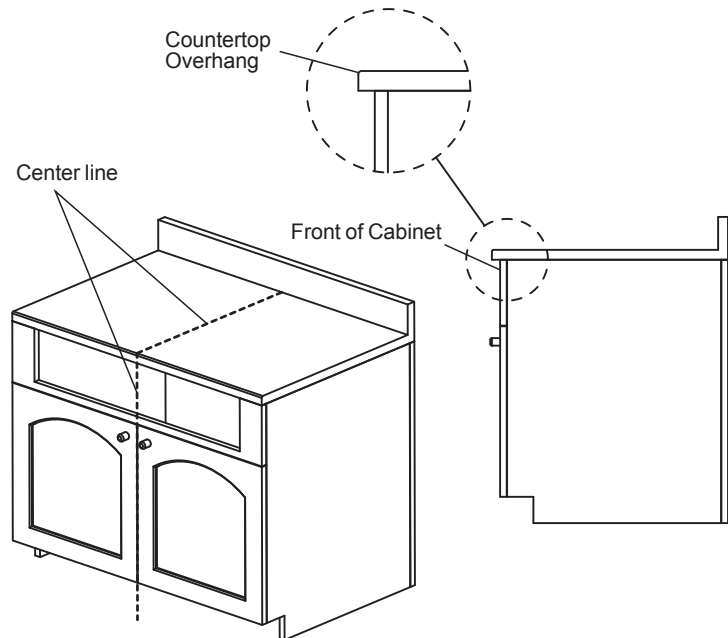
Retrofit Apron Front Farm Sink with Dual Mount Capability Installation Instructions

— For Drop-In Use Only —



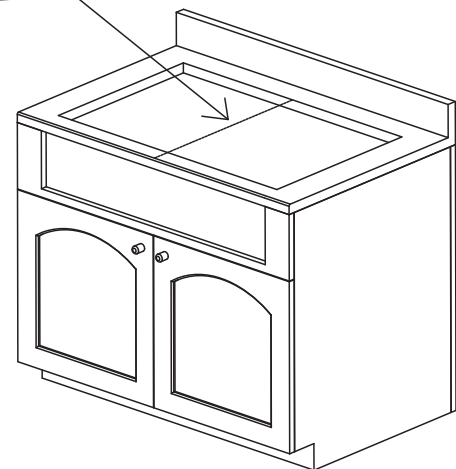
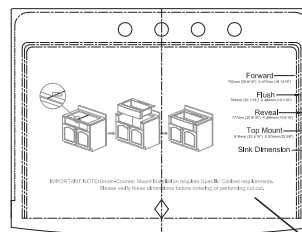
3. Preparing Your Countertop

- Put the painter's tape at the centerline of the cabinet from the backsplash to the front edge of the countertop.
- Put the painter's tape across the front edge of the countertop along the entire width of the sink base cabinet.
- Mark the centerline of the cabinet onto the painter's tape.



4. Trace the Template

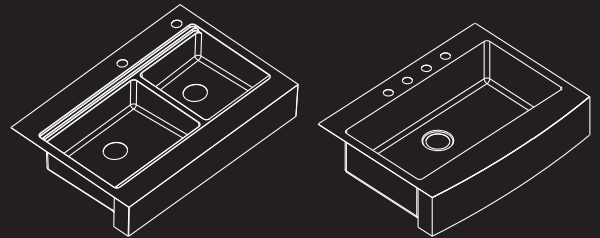
- Cut out the paper template along the Top Mount marked line.
- Cut out the diamond on the template this will help you line up the centerline, it should be in the center of the diamond.
- Please put painter's tape to all exposed outside edges prior to securing the template in place. This will prevent chipping when cutting.
- Put the template on the countertop. Align the template with the lines marked on the painter's tape.
- Mark the 2 notches from the template 1-15/16" from the edge of the countertop.
- Tape the template in place.
- Trace the template on to the painter's tape.
- Trace the notches at the front of the template.
- Remove the template
- Put painter's tape to the front of the countertop to prevent chipping the laminate when cutting.
- Extend the marked lines down the front of the countertop onto the painter's tape.



Have a question? DON'T GO BACK TO THE STORE. WE CAN HELP. Just call 1-800-626-3525, 8 a.m. to 5 p.m. EST Monday-Friday, or send an email to Help@cmiproduct.com.

Retrofit Apron Front Farm Sink with Dual Mount Capability Installation Instructions

— For Drop-In Use Only —



5. Cut the Countertop

IMPORTANT! To avoid damage to the cabinet surfaces, cut the countertop in the order of the steps below.

TIP: To prevent chipping the laminate, put painter's tape to the edge of the countertop before cutting.

TIP: Make sure your equipment is in good working order and your blades are sharp to ensure a smooth installation and straight cuts.

1. Using the laminate saw blade cut the countertop along the inside marked line.
2. Carefully cut away from the cutout to the marked notch line. Be careful not to damage the cabinet face. Repeat this step on the other side.
3. Carefully cut in from the edge of the countertop to intersect with the previous cut. Be careful not to damage the cabinet face.

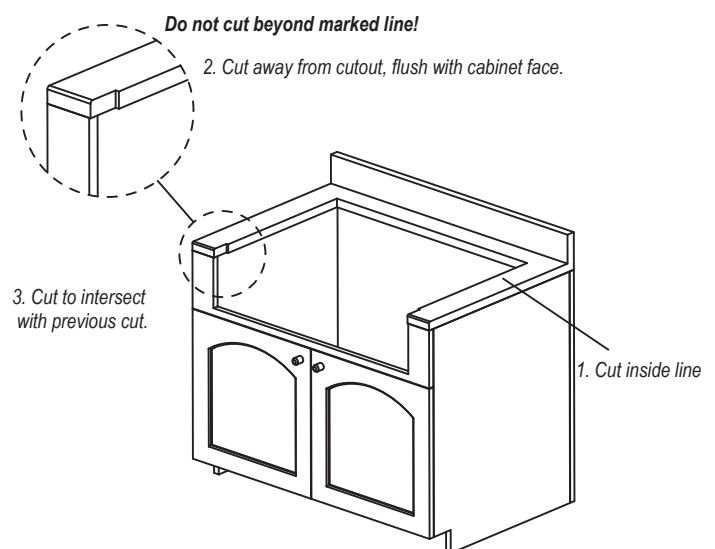
Repeat this step on the other side.

TIP: Please use sand paper to smooth all cut edges.

- Lower the sink carefully into the countertop opening to make sure it fits, do not force it. The fit will be tight. If the opening is too small please recheck your dimensions.

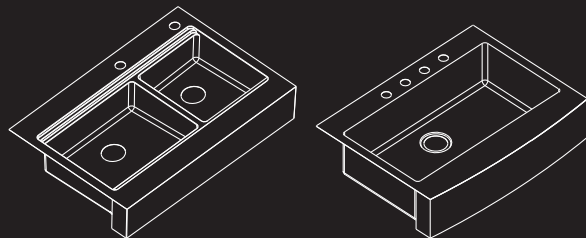
4. Very Important - Spread a generous amount of waterproof wood glue on both notches to seal the newly exposed wood. This will help to make this area water resistant and keep water from penetrating into the wood and swelling the underlayment. Please wipe away any excess glue.

TIP: Please wipe away any excess glue.
Please allow the wood glue to dry completely.



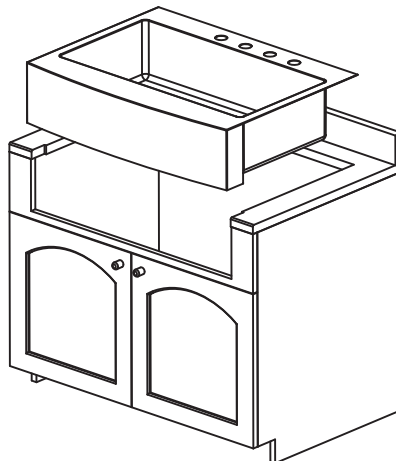
Retrofit Apron Front Farm Sink with Dual Mount Capability Installation Instructions

— For Drop-In Use Only —



6. Install the Sink

- To protect the cabinet finish, temporarily put painter's tape around the cabinet cutout.
- Apply a bead of silicone around the cutout.
- Carefully lower the sink into the cabinet.
- Be sure to wipe away any excess silicone sealant.



7. Install the clips from under the cabinet

- Slide three clips into either side of the back rail of the sink.
- Slide two clips into each side rail of the sink.
- Evenly space the clips.
- Assemble the screws into the U channel fasteners as shown.

NOTE: Screws are designed to insert into the channel fasteners with backward threading, so that when mounting they will turn in a counter-clockwise direction.

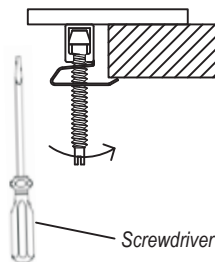
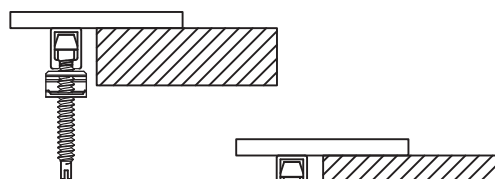
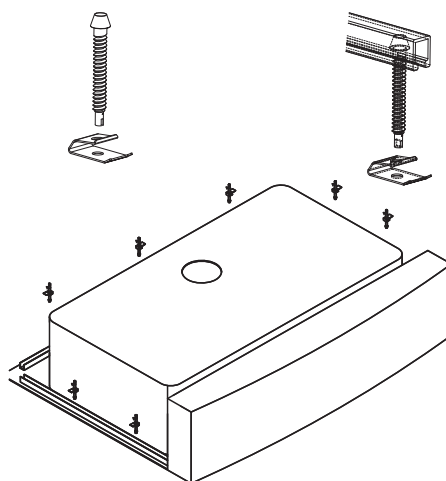
- Locate the fasteners in the position as shown.
- Hand tighten each fastener onto the channel so that the clamp "teeth" point in the same direction as the U channel. To install U channel fasteners in channel bar: Slide U channel fasteners in channel bar from either open end and /or slots in channel.

Position the fasteners claw under the top edge as shown.
Locate the fastener in position as shown.

CAUTION: Improper tightening of channel fasteners could result in improper installation or cause damage to sink.

- Place U channel fasteners equally spaced and with one at each end of channel bar, hand tighten channel fasteners, starting at the center and working toward sides.
- Re-check sinks position on countertop.
- Tighten all channel fasteners an additional quarter turn with a flat head screwdriver.

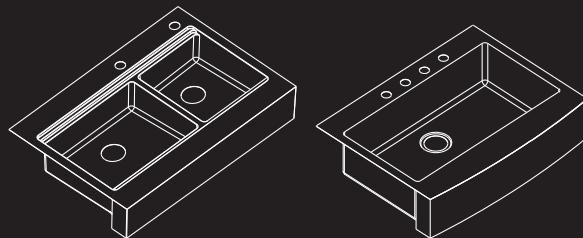
IMPORTANT! DO NOT OVERTIGHTEN.



Have a question? DON'T GO BACK TO THE STORE. WE CAN HELP. Just call 1-800-626-3525, 8 a.m. to 5 p.m. EST Monday-Friday, or send an email to Help@cmiproduct.com.

Retrofit Apron Front Farm Sink with Dual Mount Capability Installation Instructions

— For Drop-In Use Only —



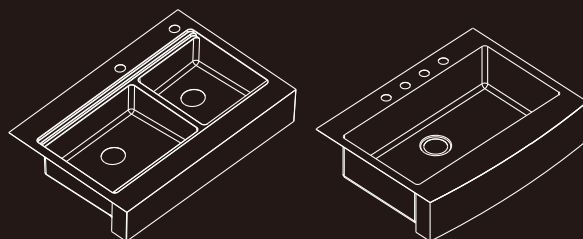
8. Finishing the Installation

- Apply silicone sealant around the edge of the sink, be sure to completely cover the notched area where the countertop meets the apron front sink.
- Wipe away excess before it dries.
- Install the faucet and drain per the manufacturer's installation instructions.

NOTE: To add a finishing touch to your new sink you can add a furring strip around the apron (please check to make sure the cabinet doors have clearance to accept a furring strip)

Retrofit Apron Front Farm Sink with Dual Mount Capability Installation Instructions

— For Undermount Use Only —



Undermount Instructions

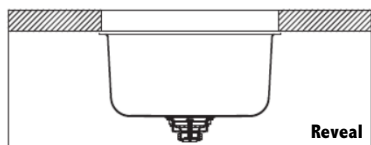
Caution: For Reference, Read All Instructions Before Beginning the Installation.

Before You Begin

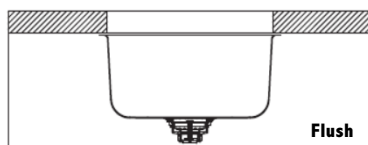
- Metal edges may be sharp use caution when handling.
- For Experienced and Professional Installation only.
- Follow all local standards and codes.
- For solid surface countertop installations only ie: granite, quartz, stone etc.
- A custom sink base cabinet is required.
- Proper installation requires a coordinated effort including advanced dialog between the designer (or customer), the cabinet maker, the countertop fabricator and the sink installer during the design and installation phase.
- Providing the cabinet maker with the actual sink to be installed prior to cabinet fabrication is recommended.

Installation Options:

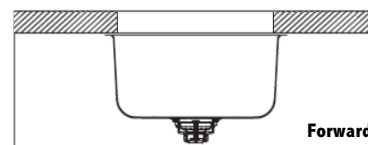
Please select the right installation option depending on your design.



Reveal - The countertop edge sits approximately 1/4" back from the edge of the sink, exposing the sink rim.



Flush - The countertop meets the edge of the sink, fitting flush with the sink bowls.



Forward - The countertop extends over the edge of the sink on all sides by approximately 1/4".

Work Station Models: Do **NOT** use a forward cut as this will obstruct the use of workstation accessories.

Step 1

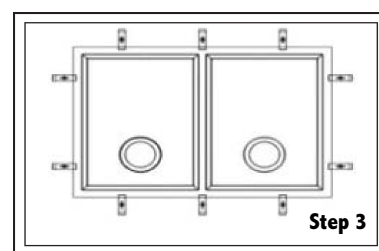
Position template on countertop. Locate the template front to rear, so that sink will not interfere with the cabinet.

Step 2

Trace a line around the template. Cut along the inside of this line to provide opening.

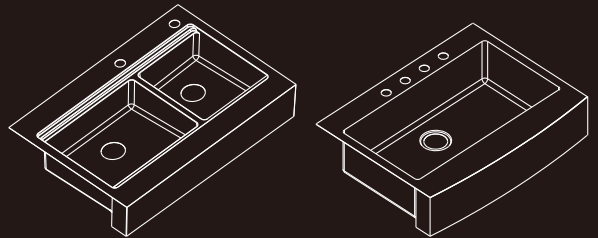
Step 3

Locate and drill the mounting holes (following the countertop manufacturer's instructions) as shown in the diagram. Holes should allow for even spacing of mounting brackets around the sink. Use the fasteners recommended by the countertop supplier.



Retrofit Apron Front Farm Sink with Dual Mount Capability Installation Instructions

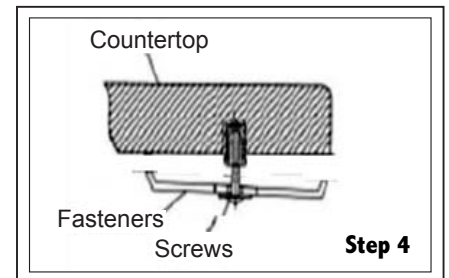
— For Undermount Use Only —



Step 4

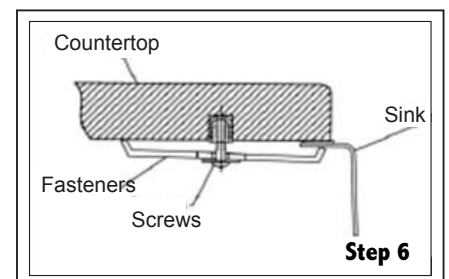
Clean the bottom of the countertop and the sink rim. Apply a bead of silicone adhesive sealant to the sink rim and position the bowl in the counter. The easiest way to handle the sink is via the drain hole(s).

Note: Metal surfaces can be sharp and can cause severe cuts. Use gloves and handle with care.



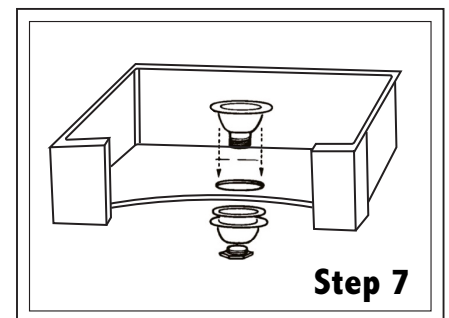
Step 5

Position and align the sink under the countertop and slide fasteners over the rim of the sink. Do NOT fully tighten one clip at a time. Partially tighten one clip, then partially tighten the clip across from it, leaving just loose enough to adjust the sink if needed.



Step 6

Check the alignment of the sink to the countertop opening and adjust as needed. Tighten one clip at a time until snug. Repeat the process to tighten the fasteners evenly. Be careful not to over tighten. Remove all excess silicone.



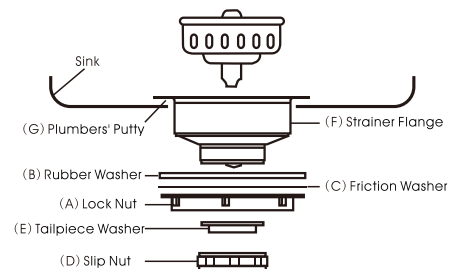
Step 7

New Accessory Installation: Follow the installation instructions provided with the new accessory.

Reinstalling Old Accessories: Clean all old sealant from accessory. Reinstall using fresh plumber's putty or silicone sealant.

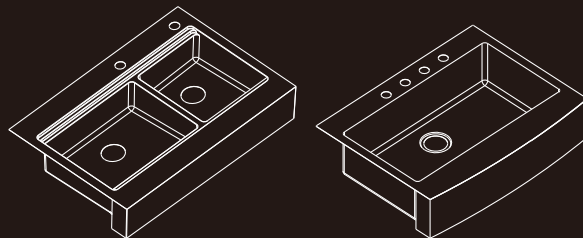
Flexible Supply Lines: Measure from the bottom of the counter-top to the water supply valve. Add 4" to the measurement to allow for movement. Use Teflon tape in all threaded water connections to avoid leaks.

Sink Strainer Installation: Place sealant on bottom of (F) strainer flange (to seal properly) and place in sink opening. From underneath, place (B) rubber washer and (C) friction washer onto (F) strainer flange, then screw on the (A) lock nut while holding the (F) strainer flange firmly in place. Tighten securely. Place (E) tail piece washer (flat side facing up) into the (D) slip nut. Screw the (D) slip nut onto the (F) strainer flange.



Retrofit Apron Front Farm Sink with Dual Mount Capability Installation Instructions

— For Undermount Use Only —



Stainless Steel Sink Care:

After Each Use:

- Remove all objects from sink.
- Clean with light soap solution, rinse and drain all water and towel dry.

Regular Maintenance:

Side Walls and Bottom of Sink: Remove stains using a cleaning product that contains mild abrasives; always wipe in grain finish. Pay careful attention to the directional change.

Mineral Deposits:

Use a cleaning product that contains mild abrasives or a light solution of vinegar and water (1:20 ratio); rinse well and towel dry.

CAUTION: Stainless steel requires exposure to air; DO NOT leave items, objects, cloths, mats, water, pots, pans, cast irons, knives, etc., in the sink when not washing.

DO NOT:

- Use steel wool or other metal or coarse scouring pads.
- Stand on or in sink when cleaning windows, reaching for top shelf, painting, etc.
- Drop heavy objects in sink as this will cause denting.
- Leave water, bleach, other cleaners or chemicals of any type in sink; always rinse sink after any use and dry with towel.
- Use concentrated bleach, always dilute with water and rinse thoroughly after use.
- Use any acids, drain cleaners, harsh chemicals, paint removers, metal cleaners, etc., in sink.
- Drop sharp objects in sink or use as a cutting surface.

Lifetime Limited Warranty

The manufacturer warrants that the parts and assemblies of this product will be free from defects in material and workmanship under normal household use for as long as it is owned by the original consumer purchaser.

This warranty covers the original purchaser with original receipt only and does not include business, commercial or industrial use of this product. This warranty shall not apply to goods which have been subject to accidents, negligence or improper installation. Our responsibility under this warranty is limited only to the replacement of parts and no other costs. Should a malfunction occur within the time covered by this warranty, replacement parts may be obtained from the Customer Service Department 1-800-626-3525 or email warranty@cmiproduct.com. The manufacturer will, at its discretion, provide replacement parts for installation by the consumer for any parts that prove defective under normal usage and care with new or equivalent parts.

Revised on 05/31/2021

Have a question? DON'T GO BACK TO THE STORE. WE CAN HELP. Just call 1-800-626-3525, 8 a.m. to 5 p.m. EST Monday-Friday, or send an email to Help@cmiproduct.com.