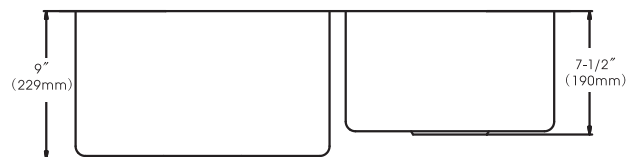
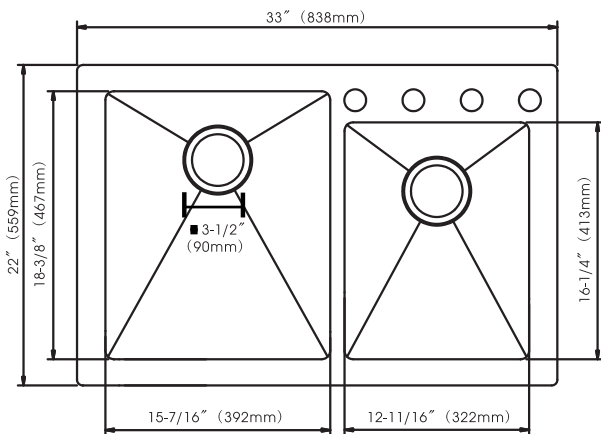


# Stainless Steel Kitchen Sink

## Dual-Mount Double Bowl



Model	Depth	Gauge
442-6147	9" (B) 7-1/2" (S,R)	20G

## 33" x 22" Dual-Mount Offset 60/40 Double Bowl

### FEATURES

- \* Premium Grade 304 Stainless Steel
- \* 9" (Big Bowl) / 7½" (Small Bowl) Depth \* 18 Gauge
- \* Small Bowl On Right
- \* Lustrous Satin
- \* 3½" Drain Opening
- \* Fully Coated Underneath with Heavy Duty Sound Deadening Pads
- \* Includes 10 U-Channel Clips and 10 Fasteners for Top-Mount or Under-Mount Installations
- \* Cutout Template on Box (DXF File Available)
- \* Limited Lifetime Warranty

Project / Job Name			
Architect / Engineer			
Contractor			
Model		Q'ty	
Notes :			

### Optional Accessories



Basket Strainers



Deep Cup Basket Strainers



Garbage Disposal Flange & Stopper



Soap Dispensers