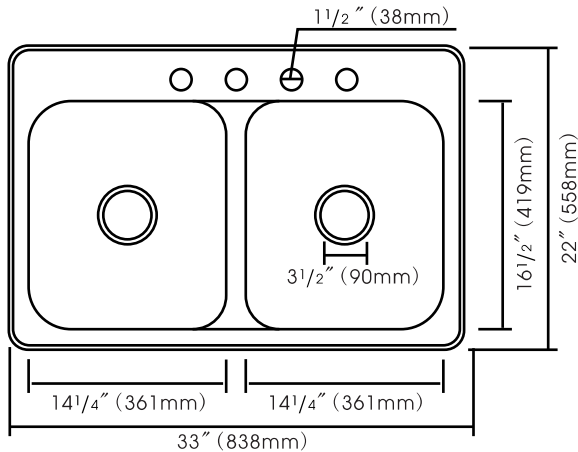


Stainless Steel Kitchen Sink

Smooth Edge Double Bowl



Model	Depth	Gauge	Hole
481-6881	8-1/2"	18G	4

33" x 22" Low Divide Top-Mount 50/50 Double Bowl

FEATURES

- * Premium Grade 304 Stainless Steel
- * 8½" Depth * 18 Gauge
- * Lustrous Satin
- * 3½ Drain Opening
- * Fully Coated Underneath with Heavy Duty Sound Deadening Pads
- * Supplied with Fasteners and Instructions
- * Cutout Template on Box
- * Limited Lifetime Warranty

Project / Job Name			
Architect / Engineer			
Contractor			
Model		Qty	
Notes :			

Optional Accessories



Basket Strainers



Deep Cup Basket Strainers



Garbage Disposal Flange & Stopper



Soap Dispensers