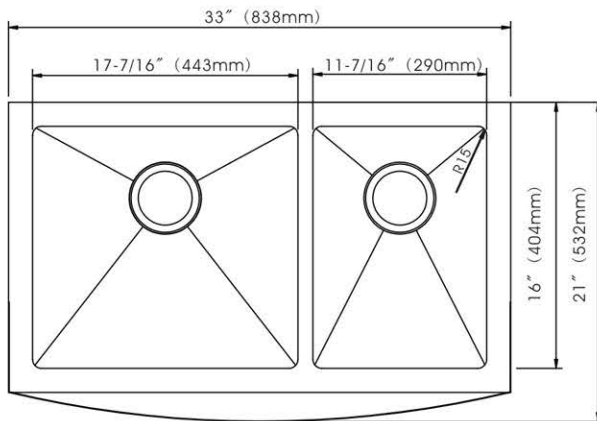


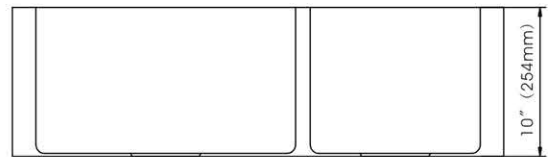
Stainless Steel Kitchen Sink



Double Bowl Farm Sink With
 Curved Front Apron



Product Compliance:
 • ASME A12.19.3-2008 / CSA B45.4-08



Model	Depth	Gauge
482-0254	10"	16G

33" x 21" x 10" 60/40 Double Bowl Curved Front Apron Farm Sink

FEATURES

- * Premium Grade T-304 Stainless Steel
- * R15 Radius Corner for Easy Cleaning
- * 10" Apron Height, 10" Depth Bowl, 16 Gauge
- * Lustrous Satin
- * Highlighted Rim
- * 3-1/2" Drain Opening
- * Fully Coated Underneath with Heavy Duty Sound Deadening Pads
- * Includes 7 Fasteners and Installation Instructions
- * Cutout Template (DXF File Available)
- * Limited Lifetime Warranty

Optional Accessories



Basket Strainers



Deep Cup Basket Strainers



Soap Dispensers

Project / Job Name			
Architect / Engineer			
Contractor			
Model		Quantity	
Notes:			