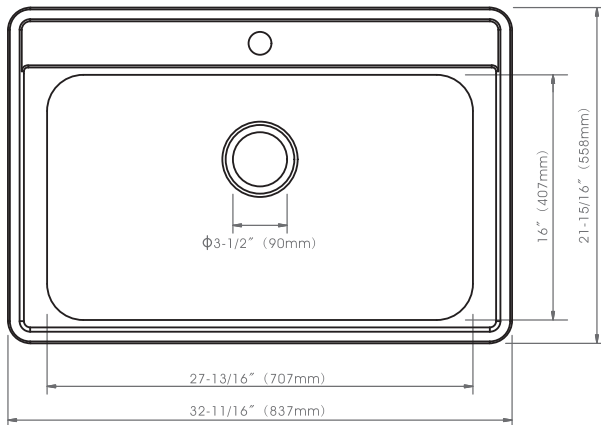




Product Compliance:
 • ASME A112.19.3-2008 / CSA B45.4-08



Model	Depth	Gauge	Hole	Packaging
482-7544	5-1/2"	18G	1	Sleeved
712-7961	5-1/2"	18G	1	Boxed

33" x 22" x 5.5" Top-Mount Single Bowl

FEATURES

- * Complies with ADA and ICC 117.1 Accessibilities Requirements when Installed per the Requirements Stated in the Above Standards
- * Premium Grade T-304 Stainless Steel
- * 5-1/2" Depth • 18 Gauge
- * One Piece Construction Sink
- * Lustrous Satin
- * 3-1/2" Drain Opening
- * Fully Coated Underneath with Heavy Duty Sound Deadening Pad
- * Includes U-Channel Clips and Installation Instructions
- * Cutout Template (DXF File Available)
- * Lifetime Limited Warranty

Optional Accessories



Basket Strainers



Deep Cup Basket Strainers

Project / Job Name			
Architect / Engineer			
Contractor			
Model		Quantity	
Notes :			