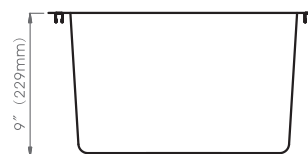
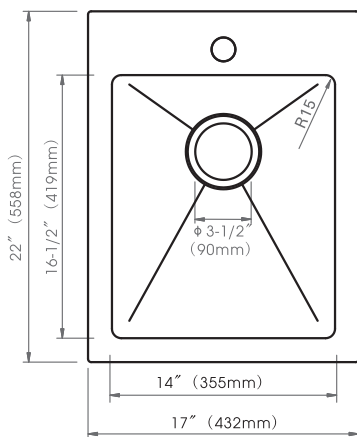


Product Compliance:
 • ASME A112.19.3-2008 / CSA B45.4-08



Model	Depth	Gauge	Hole
482-7707	9"	18G	1

17" x 22" x 9" Dual-Mount Single Bowl

FEATURES

- * Black Stainless Steel Finish
- * Premium Grade T-304 Stainless Steel
- * Corrosive Resistant Sink Grid Included
- * R15 Radius Corner for Easy Cleaning
- * 9" Depth • 18 Gauge
- * Pre-Drilled Single Hole
- * Lustrous Satin
- * Highlighted Rim
- * 3-1/2" Drain Opening
- * Heavy Duty Sound Deadening Pad Plus Fully Coated Underneath
- * Includes U-Channel Clips and Fasteners for Top-Mount or Under-Mount Installations
- * Cutout Template (DXF File Available)
- * Limited Lifetime Warranty

Project / Job Name			
Architect / Engineer			
Contractor			
Model		Quantity	
Notes :			

Optional Accessories



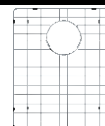
Basket Strainers



Deep Cup Basket Strainers



Soap Dispensers



Corrosion Resistant Sink Grid Included