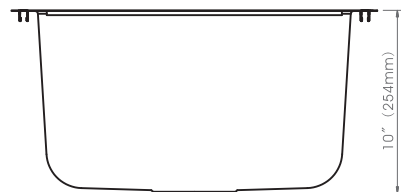
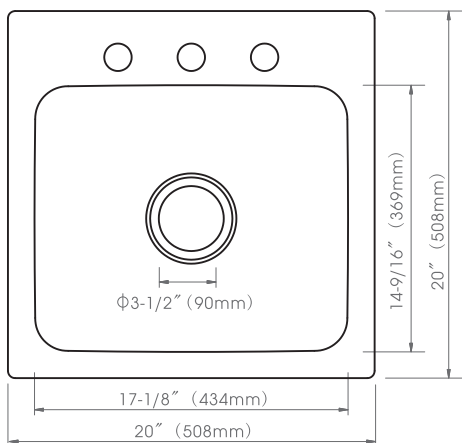


**Product Compliance:**  
 • ASME A112.19.3-2008 / CSA B45.4-08



| Model    | Depth | Gauge | Hole |
|----------|-------|-------|------|
| 482-7771 | 10"   | 18G   | 3    |

**20" x 20" x 10" Dual-Mount Single Bowl Bar Sink**

**FEATURES**

- \* Premium Grade T-304 Stainless Steel
- \* 10" Depth • 18 Gauge
- \* Pre-Drilled 3 Hole
- \* Lustrous Satin
- \* 3-1/2" Drain Opening
- \* Heavy Duty Sound Deadening Pad Plus Fully Coated Underneath
- \* Includes U-Channel Clips and Fasteners for Top-Mount or Under-Mount Installations
- \* Cutout Template (DXF File Available)
- \* Limited Lifetime Warranty

**Optional Accessories**



Basket Strainers



Deep Cup Basket Strainers



Soap Dispensers

|                      |  |          |  |
|----------------------|--|----------|--|
| Project / Job Name   |  |          |  |
| Architect / Engineer |  |          |  |
| Contractor           |  |          |  |
| Model                |  | Quantity |  |
| Notes :              |  |          |  |