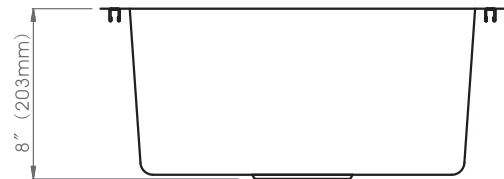
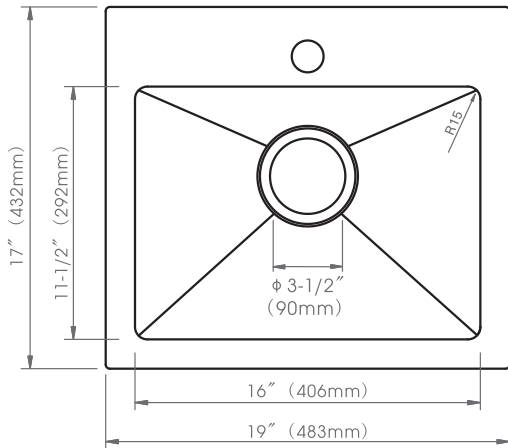


Product Compliance:
 • ASME A112.19.3-2008 / CSA B45.4-08



Model	Depth	Gauge	Hole
482-7772	8"	18G	1

19" x 17" x 8" Dual-Mount Single Bowl

FEATURES

- * Premium Grade T-304 Stainless Steel
- * Corrosive Resistant Sink Grid Included
- * R15 Radius Corner for Easy Cleaning
- * 8" Depth • 18 Gauge
- * Pre-Drilled Single Hole, Other Punchings Available
- * Lustrous Satin
- * Highlighted Rim
- * 3-1/2" Drain Opening
- * Heavy Duty Sound Deadening Pads Plus Fully Coated Underneath
- * Includes U-Channel Clips and Fasteners for Top-Mount or Under-Mount Installations
- * Cutout Template (DXF File Available)
- * Limited Lifetime Warranty

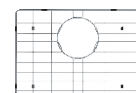
Optional Accessories



Basket Strainers



Deep Cup Basket Strainers



Corrosion Resistant Sink Grid Included

Project / Job Name			
Architect / Engineer			
Contractor			
Model		Quantity	
Notes :			