

Model	Depth	Gauge
482-7845	9"	18G

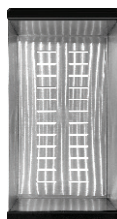
33" x 22" x 9" Dual-Mount Single Bowl Work Station Sink

Stainless Steel Kitchen Sink

- * Lustrous Satin Finish
- * Premium Grade 304 Stainless Steel
- * 9" Depth, 18 Gauge
- * R15 Radius Corner for Easy Cleaning
- * Pre-Drilled 1 Hole Faucet Deck
- * 3-1/2" Drain Opening
- * Fully Coated Underneath with Heavy Duty Sound Deadening Pad
- * Includes U-Channel Clips & Fasteners for Top Mount or Under Mount Installation and Installation Instructions
- * Cutout Template (DXF File Available)
- * Lifetime Limited Warranty

Colander

- * Ideal for Rinsing Food or Drying Dishes
- * Organize Your Sink Area
- * Built from Solid Stainless Steel to Provide Years of Use



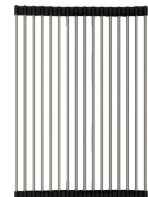
Cutting Board

- * Made of Durable Sapele
- * Cutting Board fits Directly Over the Kitchen Sink
- * Easy to Clean



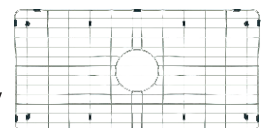
Drying Rack

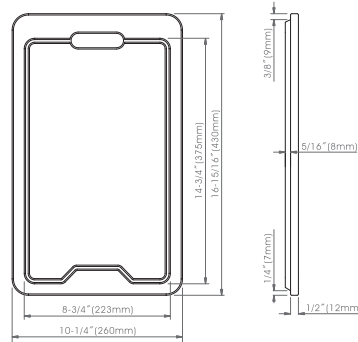
- * Stainless Steel with Rubber Joiner
- * Dishwasher Safe
- * For Air Drying or Setting Hot Pots



Corrosion Resistant Sink Grid

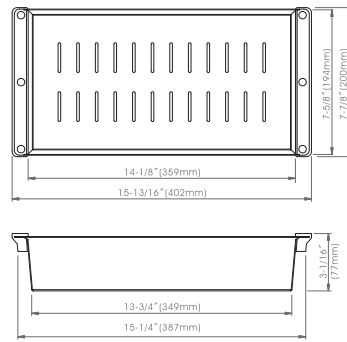
- * Stainless Steel
- * Protect Sink Bowl from Scratches
- * Includes Rubber Feet, Side Bumpers, and Access to Sink Drain





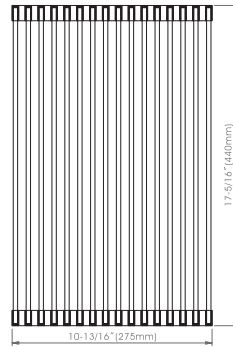
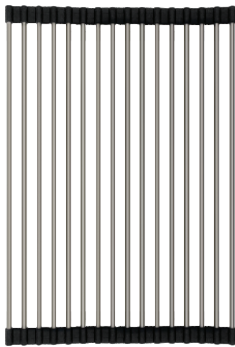
Cutting Board

- * Made of Durable Sapele
- * Cutting Board fits Directly Over the Kitchen Sink
- * Easy to Clean



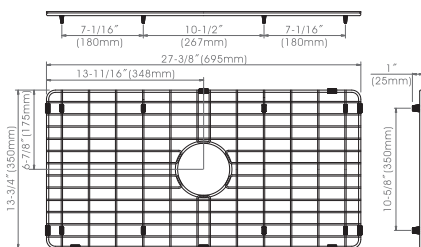
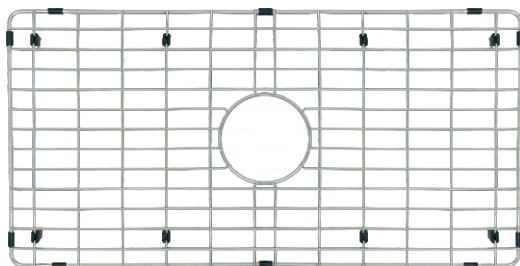
Colander

- * Ideal for Rinsing Food or Drying Dishes
- * Organize Your Sink Area
- * Built from Solid Stainless Steel to Provide Years of Use



Drying Rack

- * Stainless Steel with Rubber Joiner
- * Dishwasher Safe
- * For Air Drying or Setting Hot Pots



Corrosion Resistant Sink Grid

- * Stainless Steel
- * Protect Sink Bowl from Scratches
- * Includes Rubber Feet, Side Bumpers, and Access to Sink Drain