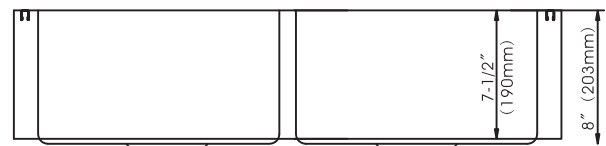
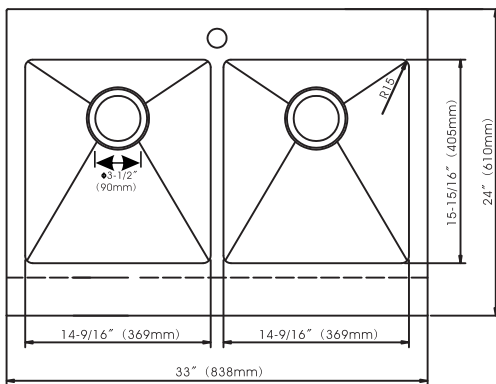


Brimley Retrofit R15 Radius Corner Dual-Mount Flat Apron Front Farm Sinks



Product Compliance:
• ASME A112.19.3-2008 / CSA B45.4-08



Model	Depth	Gauge	Hole
482-8025	8"	18G	1

33" x 24" x 8" Retrofit R15 Radius Dual-Mount 50/50 Double Bowl Flat Apron Front Farm Sink

FEATURES

- * Black Stainless Steel Finish
- * Premium Grade T-304 Stainless Steel
- * R15 Radius Corner for Easy Cleaning
- * 7-1/2" Apron Height, 8" Depth Bowl, 18 Gauge
- * Highlighted Rim
- * 3-1/2" Drain Opening
- * Fully Coated Underneath with Heavy Duty Sound Deadening Pads
- * Corrosion Resistant Stainless Steel Sink Grids Included
- * Includes U-Channel Clips for Top-Mount Installation, Fasteners for Under-Mount Installation and Installation Instructions for Both
- * Cutout Template (DXF File Available)
- * Limited Lifetime Warranty

Project / Job Name			
Architect / Engineer			
Contractor			
Model		Quantity	
Notes :			

Optional Accessories



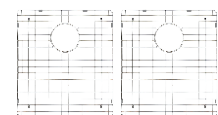
Basket Strainers



Deep Cup Basket Strainers



Soap Dispensers



Corrosion Resistant Sink Grids Included