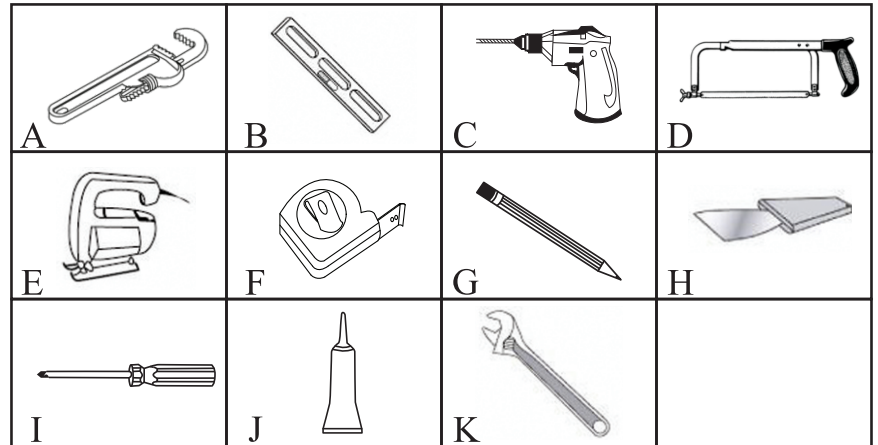


Tools :

- A . Adjustable Wrench
- B . Level
- C . Drill
- D . Hacksaw
- E . Jig Saw
- F . Measuring Tape
- G . Pencil
- H . Putty Knife
- I . Screwdriver
- J . Silicone Adhesive
- K . Wrench

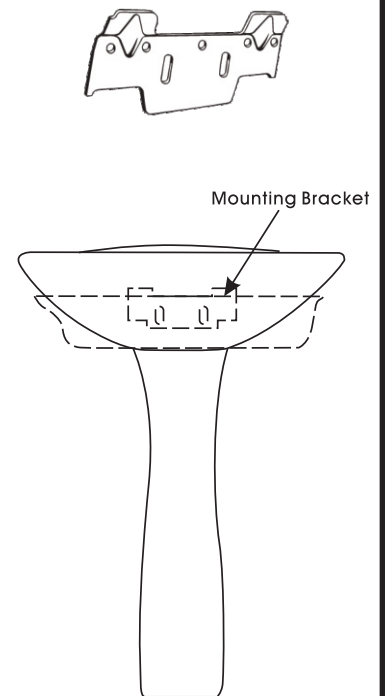


Preparation :

1. Install the water supplies and drain piping. Install the supply stops so the handles will not touch the pedestal when fully open.
 2. Install sufficient backing behind the finished wall to provide secure material for the anchoring devices.
 3. Place the pedestal in the approximate location.
 4. Carefully lift the lavatory into place on the pedestal, and slowly move the pedestal as required to ensure proper fit.
- NOTE:** The lavatory must be supported by the pedestal.
5. Hold the brackets in place under the lavatory, and mark the bracket hole locations on the finished wall.
 6. Carefully remove the lavatory from the pedestal and set aside. Move the pedestal from the area.

Important Point:

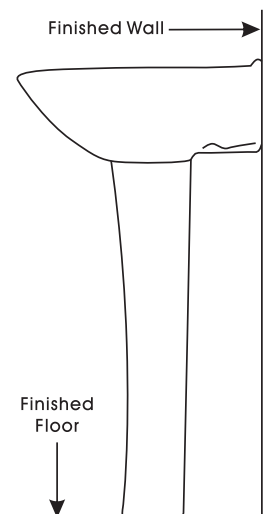
Please locate the hanging bracket inside the box. The mounting hardware is not included.



Install the Lavatory :

IMPORTANT! To mount the bracket to the wall, use fasteners appropriate for your wall type.

1. Mount the brackets to the wall at the marked locations.
2. Install the faucet and drain to the lavatory according to the manufacturer's instructions.
3. Position the pedestal on the floor.
4. Carefully set the lavatory on the brackets, making sure the lavatory is supported by the pedestal.
5. Position the lavatory as desired.
6. Connect and tighten the trap to the drain. Complete the water supply connections to the faucet according to the faucet manufacturer's instructions.
7. Run water into the lavatory and check all connections for leaks.
8. Optional: Apply silicone sealant around the pedestal foot to stabilize.





LIMITED WARRANTY

Vitreous China

Canton Bathware Vitreous China is warranted to the original consumer purchaser to be free from defects in material and workmanship for as long as the original consumer purchaser owns the home in which the pedestal sink was first installed or for 5 years from the date of purchase.

Canton Bathware will replace, free of charge, during the applicable warranty period, any part or finish that proves defective in material and/or workmanship under normal installation, use and service. Canton Bathware recommends using a professional plumber for all installation and repair. Warranty information may be obtained by emailing the address below, calling the number below or by writing to:

Compass Manufacturing International
Canton Bathware Product Service
6702 Enterprise Drive
Louisville, KY 40214
800.626.3525
www.cmiproduct.com
warranty@cmiproduct.com
Canton Bathware is a division of Compass Manufacturing International

Vitreous China Product Care

Regular Maintenance:

Remove stains using a cleaning product that contains mild abrasives; rinse and towel dry. Strong abrasive cleaners will scratch and dull the surface.

Products to Consider

Comet Bathroom Cleanser	Windex Original
Formula 409 Antibacterial All Purpose	Soft Scrub Original