

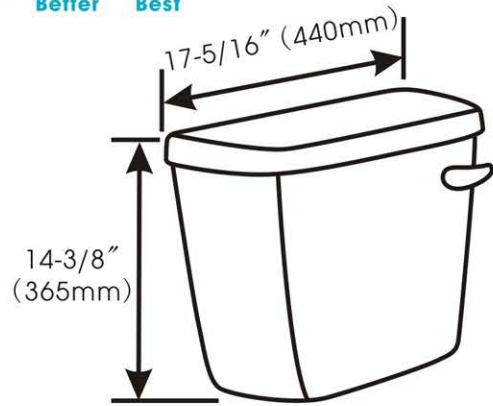
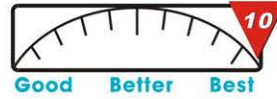


Toilet Tank



MaP Result (Flush)

1000 gram



Fixture dimensions and hydraulic performance meet or exceed ANSI/ASME standard A112.19.2M and CAN/CSA B-45 requirements.



Model	Color
572-6196	Biscuit

**Delano 1.28GPF HET 3" Flush 12" Rough-In Right Hand Tank**

**DESCRIPTION**

- \* Water Saving Unit -- 1.28GPF –
- \* Upgrade Fill And Flush Valve System
- \* High Performance Flushing System
- \* Color Matched Tank Handle
- \* Works With Delano Toilet Bowl, 572-6192, 572-6193 & 572-6194
- \* ADA Compliant When Paired With 572-6194



Project / Job Name			
Architect / Engineer			
Contractor			
Model		Quantity	
Notes :			