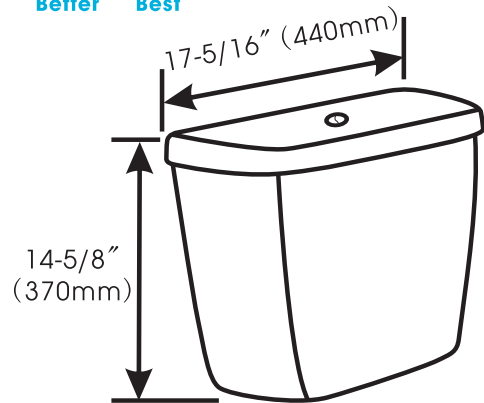
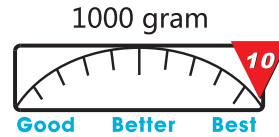




Toilet Tank



MaP Result (Full Flush)



Product dimensions are nominal and may vary within a tolerance in accordance with ANSI Standard 112.19.2. These are subject to change without notice. Compass Manufacturing International has the right to make revisions or corrections without notice to product pages. We assume no responsibility for voided product pages.



Model	Color
572-8021	White

Delano HET Dual Flush 1.28/0.9 GPF 12" Rough-In Tank

DESCRIPTION

- * WaterSense Certified at 1.28 GPF or 0.9 GPF
- * For 12" Rough-In Applications
- * Upgraded High Performance Fill and Flush Valve System
- * Color Matched Tank Handle
- * For Use with Delano Toilet Bowls: 571-6913, 571-6915 or 572-5789
- * ADA Compliant when Paired with Delano Toilet Bowl 571-6915



Project / Job Name			
Architect / Engineer			
Contractor			
Model		Quantity	
Notes :			