

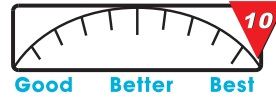


Round Front Toilet



MaP Result (Full Flush)

1000 gram



Toilet Seat not Included

| | Model | Color |
|------|----------|-------|
| Tank | 572-8021 | White |
| Bowl | 571-6913 | White |

Delano HET Dual Flush Round Front 1.28/0.9 GPF Flush Toilet

DESCRIPTION

- * 1.28 GPF or 0.9 GPF (4.8 LPF or 3.37 LPF) Siphon Jet Flush
- * 15" (382mm) Rim Height
- * Large Water Surface
- * 2" Wide Fully Glazed Trapway
- * 12" Rough-In
- * Upgraded High Performance Fill and Flush Valve System

| | | | |
|----------------------|--|----------|--|
| Project / Job Name | | | |
| Architect / Engineer | | | |
| Contractor | | | |
| Model | | Quantity | |
| Notes : | | | |



Round Front Toilet

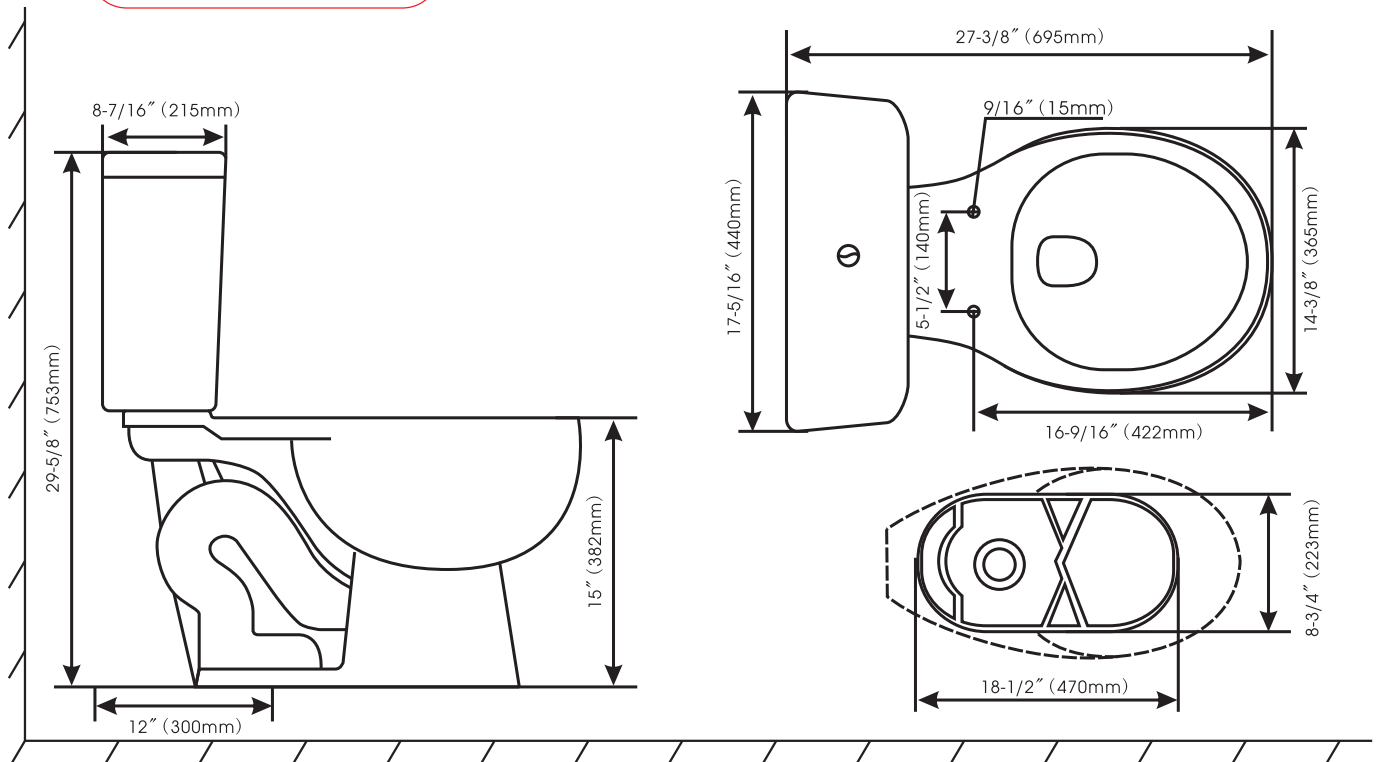
SPECIFICATIONS

- * Water Usage : 1.28 GPF or 0.9 GPF (4.8 LPF or 3.37 LPF)
- * Trap Diameter : 2"
- * Rough-In : 12"
- * Trap Seal : 2"
- * Min. Water Pressure : 28 psi
- * Water Surface : 8-5/8" x 6-7/8"
- * Flush System : Siphon Jet Gravity Flushing System
- * Warranty : Five Year Limited Warranty
Includes One Year Parts Warranty
- * Material : Tank & Bowl: Vitreous China
- * Shipping Weight : Tank: 30.75LBS
Bowl: 43LBS
- * Shipping Dimensions : Tank: 18-1/8" x 9" x 15-3/4"
Bowl: 26" x 9-7/8" / 15-3/4" x 16-5/16"

Round Front Toilet

Model No.: 572-8021 - Tank (White)

571-6913 - Bowl (White)



Product dimensions are nominal and may vary within a tolerance in accordance with ANSI Standard 112.19.2. These are subject to change without notice. Compass Manufacturing International has the right to make revisions or corrections without notice to product pages. We assume no responsibility for voided product pages.