



LIMITED LIFETIME WARRANTY

Compass Manufacturing International warrants to the original consumer purchaser that the faucet be free from defects in material and workmanship for as long as the original consumer purchaser owns the home in which the faucet was first installed.

In the event that Freendo faucets are used in a Commercial Application, this warranty is limited for a period of 5 years, unless otherwise specifically stated in the catalog and/or price book.

Compass Manufacturing International will replace, free of charge, during the applicable warranty period, any part or finish that proves defective in material and/or workmanship under normal installation, use and service. This warranty shall not apply to goods which have been subject to accidents, negligence or improper installation. Compass Manufacturing International will not be liable for other damages or losses, including, but not limited to: labor charges and/or damages incurred in installation, repair or replacement as well as any other kind of loss or damage. Proof of purchase from the original consumer purchaser must be made available for all warranty claims.

Compass Manufacturing International recommends using a professional plumber for all installation and repair. Compass Manufacturing International will, at its discretion, provide new or equivalent replacement parts for any product that proves to be defective under normal usage and service. Replacement parts may be obtained by emailing the address below, calling the number below or by writing to:

Compass Manufacturing International
Freendo Product Service
6702 Enterprise Drive
Louisville, KY 40214
800.626.3525
warranty@cmiproduct.com

Revised 5/9/17

warranty@cmiproduct.com

© Compass Manufacturing International

800.626.3525



Model No. : 192-6419 Polished Chrome
192-6420 Brushed Nickel Spotless PVD
192-6421 Oil-Rubbed Bronze[®]
192-7232 Matte Black
192-7231 Matte Gold



**Cardania Single Handle Single Function
Pressure Balanced Tub & Shower Set**



Helpful Information

Helpful Tools

Tools:

Gather the necessary tools as shown below to complete the installation of this faucet. Some may not be needed depending on the model of faucet you are installing.



Plumber's Putty
and/or Silicone



Flashlight



Safety Glasses



Adjustable Wrench



Screwdriver



Pliers



Channel Locks

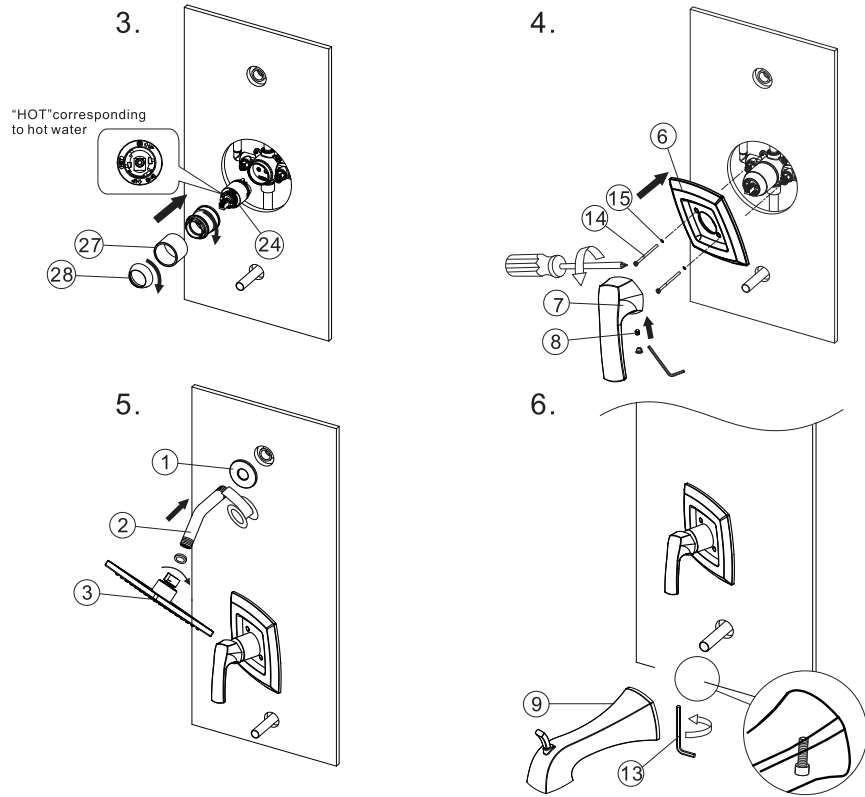
5

Parts List

32	Teflon tape
31	Escutcheon
30	Screw
29	Protective Kit
28	Trim Cap
27	Cartridge Sleeve
26	Cartridge Lock nut
25	O-ring
24	Cartridge
23	Adjuster Seat
22	O-ring
21	Adjuster
20	O-ring
19	Spring
18	Stopper
17	Sealing Wahser
16	Valve Body
15	O-Ring
14	Escutcheon Screw
13	Allen Key
12	Allen Key
11	Hot/Cold Button
10	Set Screw
9	Tub Spout
8	Index
7	Handle
6	Escutcheon
5	Sealing Ring
4	Sealing Ring
3	Shower Head
2	Shower Arm
1	Shower Arm Flange
No.	Part Name

2

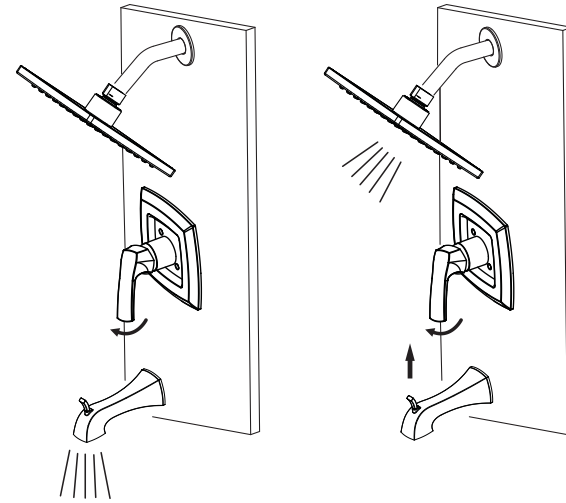
Tub/Shower Installation



3. Install the cartridge (24), cartridge sleeve (27) and trim cap (28) into the valve body.
4. Close bathtub drain to avoid losing parts. Install escutcheon (6) and secure it with escutcheon screws (14) and escutcheon screw o-rings (15). Make sure valve is in off position. Then assemble the handle (7) and secure it with set screw (8).
5. Apply teflon tape to two ends of shower arm (2) and install it to wall with shower arm flange (1). And connect the shower head (3) to shower arm (2).
CAUTIONS: ENSURE THE RUBBER WASHER IS IN POSITION BETWEEN THE SHOWER HEAD AND SHOWER ARM.
6. Position the tub spout (9) as shown, adjust and tighten with Allen key (13).

3

Configuration



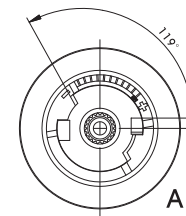
Turn on the water and check for leaks. If there are leaks, please reinstall.

Adjusting hot water stop.

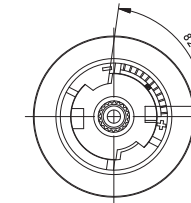
Hot Water Adjustment

Position In The Middle Is Recommended

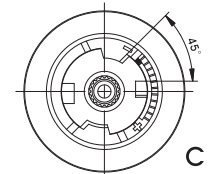
Cold Water Adjustment



High Temperature setting
(Factory setting)



Average Temperature setting

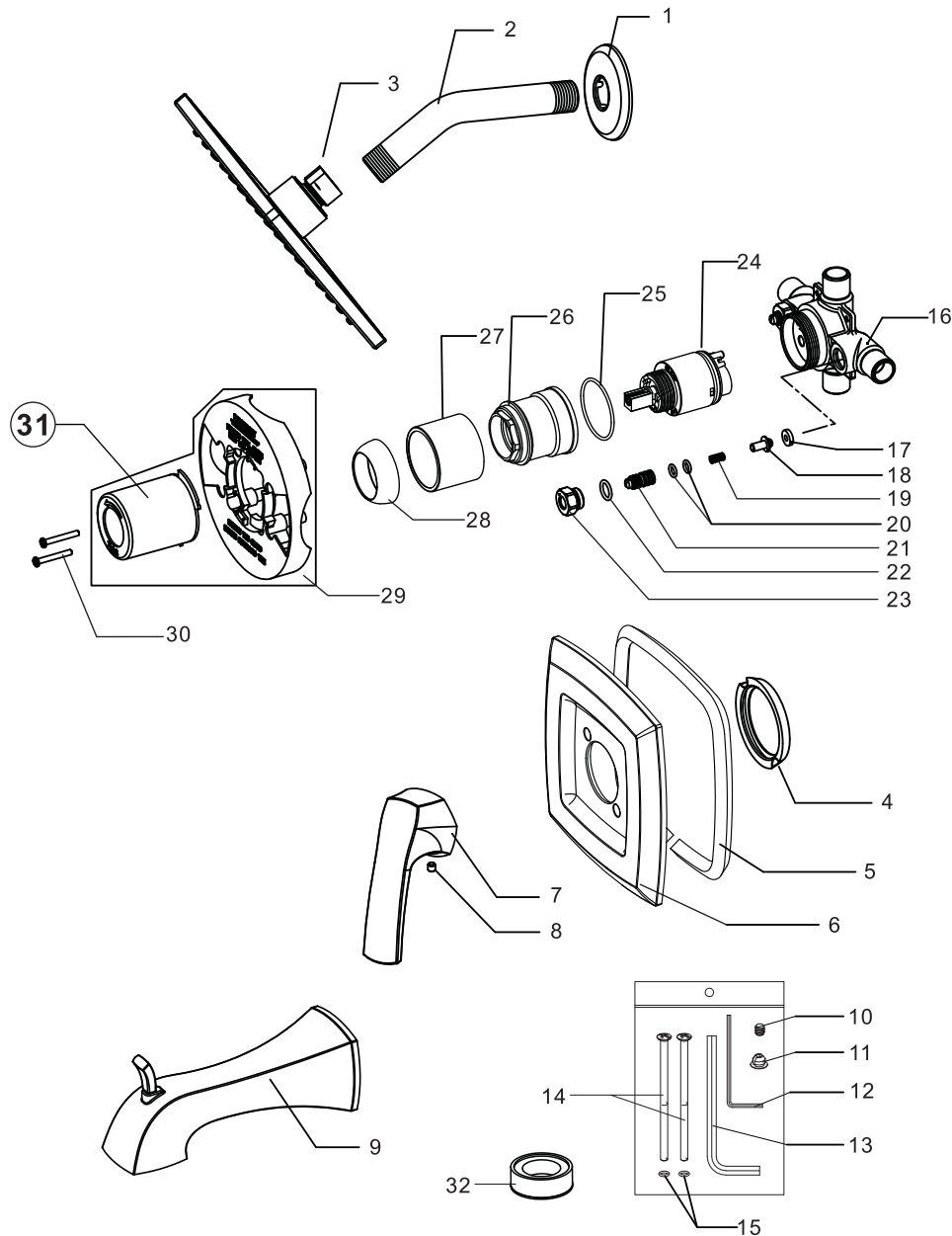


Low Temperature setting

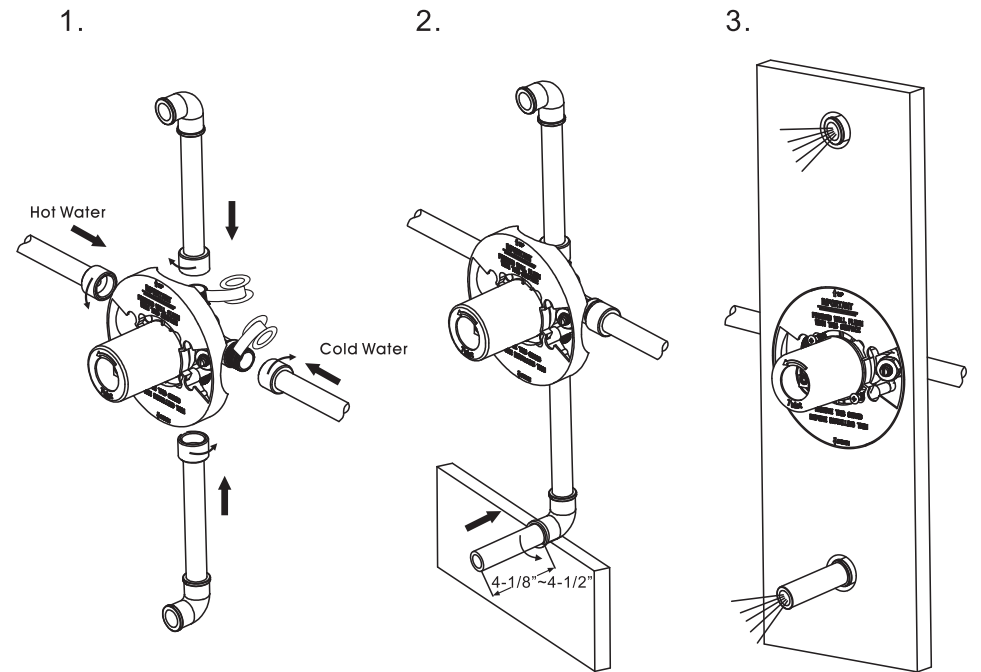
By default, the temperature limiting device is set to the highest temperature (A). In order to reduce the temperature, remove the temperature limiting device and turn clockwise to the desired position (B or C).

4

Parts Diagram

**1**

Tub/Shower Installation



1. Connect pipes with faucet as shown, pay attention to the connection of hot and cold water supply pipe.
2. For tub spout installation only: install for spout, use proper length so that the pipe will extend 4-1/8"~4-1/2" from the finish wall. In order to assure proper function, piping from the bottom port of valve to tub spout outlet must be either 1/2" nominal copper pipe or 1/2" iron pipe.
3. Turn on hot and cold water supply lines and flush the debris in the lines.

Note: If the valve is being soldered, please make sure to **remove the cartridge (24) and integral stops (parts 17-23)** before heating the valve.