



LIMITED LIFETIME WARRANTY

Compass Manufacturing International warrants to the original consumer purchaser that the faucet be free from defects in material and workmanship for as long as the original consumer purchaser owns the home in which the faucet was first installed.

In the event that Freendo faucets are used in a Commercial Application, this warranty is limited for a period of 5 years, unless otherwise specifically stated in the catalog and/or price book.

Compass Manufacturing International will replace, free of charge, during the applicable warranty period, any part or finish that proves defective in material and/or workmanship under normal installation, use and service. This warranty shall not apply to goods which have been subject to accidents, negligence or improper installation. Compass Manufacturing International will not be liable for other damages or losses, including, but not limited to: labor charges and/or damages incurred in installation, repair or replacement as well as any other kind of loss or damage. Proof of purchase from the original consumer purchaser must be made available for all warranty claims.

Compass Manufacturing International recommends using a professional plumber for all installation and repair. Compass Manufacturing International will, at its discretion, provide new or equivalent replacement parts for any product that proves to be defective under normal usage and service. Replacement parts may be obtained by emailing the address below, calling the number below or by writing to:

Compass Manufacturing International

Freendo Product Service

6702 Enterprise Drive

Louisville, KY 40214

800.626.3525

warranty@cmiproduct.com

Revised 12/21/19

warranty@cmiproduct.com

© Compass Manufacturing International

800.626.3525



Model No. : 192-6437 Polished Chrome
192-6438 Brushed Nickel *Spotless PVD*[™]
192-6439 Oil-Rubbed Bronze



Aegean Wide Spread Bathroom Faucet With Brass Pop-Up

3 Hole Installation , 6"-10" Center-Set



Helpful Information

Helpful Tools

Tools:

Gather the necessary tools as shown below to complete the installation of this faucet. Some may not be needed depending on the model of faucet you are installing.



Plumber's Putty
and/or Silicone



Flashlight



Basin Wrench



Safety Glasses



Screwdriver



Pliers



Channel Locks



Adjustable Wrench

Maintenance

Your new faucet is designed for years of trouble-free performance. Keep it looking new by cleaning it periodically with a soft, damp cloth. Avoid abrasive cleaners, steel wool and harsh chemicals as these will dull the finish and void your warranty.

Safety Tips

- If you use solder for the installation of this faucet, please remove the seats, cartridges and washers before soldering. Otherwise the warranty will be voided on these parts.
- Protect your eyes with safety glasses when cutting or soldering water supply line.
- Cover your drain to avoid losing parts.

Important Points

Prior to beginning installation, turn off the cold and hot water lines and turn on the old faucet to release built-up pressure. When installing your new faucet, turn the connector nuts finger tight, then use a wrench to anchor the fitting and a second wrench to tighten the nut one additional turn. Connections that are too tight can compromise the integrity of the system. Wrap all threaded connections with teflon tape. Always wrap in a clockwise direction.

5

Troubleshooting

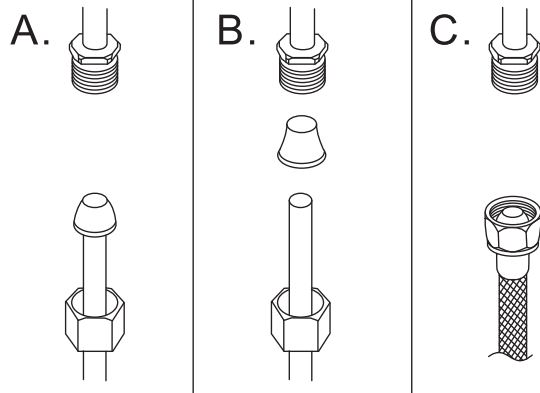
If the instructions were followed carefully and the faucet does not work properly, try these corrective steps.

Problem	Cause	Action
Leaks underneath the handle (#1).	Cartridge (#5 or #26) has come loose.	Turn off the water supplies. Remove the handle (#1) and tighten the cartridge (#5 or #26). Reinstall the handle (#1).
The water will not shut off completely.	Dirty or damaged cartridge (#5 or #26).	Turn off the water supplies. Remove the handle (#1), lock nut (#4), and cartridge (#5 or #26). Check the ceramic disk for dirt and damage. If the cartridge (#5 or #26) is dirty, soak it in warm white vinegar for 4 hours. Every 30 minutes, while the cartridge (#5 or #26) is completely submerged, turn the stem on and off 10 times. If the cartridge is damaged, replace the cartridge (#5 or #26). Reinstall the cartridge (#5 or #26), lock nut (#3) and handle (#1).

Have a question? DON'T GO BACK TO THE STORE, WE CAN HELP, just call 1-800-626-3525 ,8 a.m. to 5 p.m. EST Monday-Friday, or send an email to Help@cmiproduct.com.

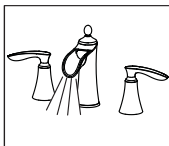
4

Configuration



Warning:
The supply valves and supply lines are not included.

Connect to water supply lines with either:
 (A) 3/8" O.D. Copper tubing (ball nose risers with the coupling nuts or;
 (B) 3/8" Copper tubing (no ball) with supplied tube head interior connector or;
 (C) IPS faucet connectors (1/2")

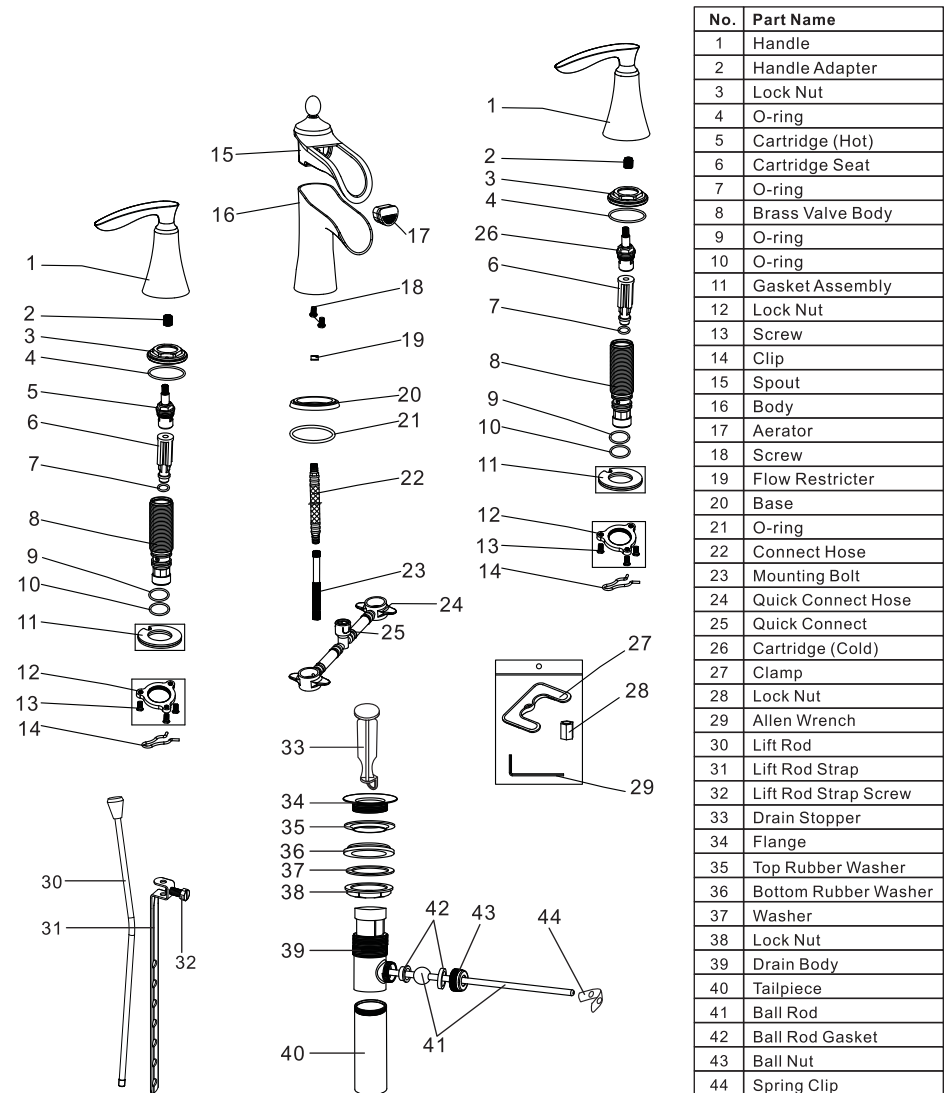


Let both hot and cold water run for one minute. This will help clean any debris that might clog the system.

Test system for leaks.

1

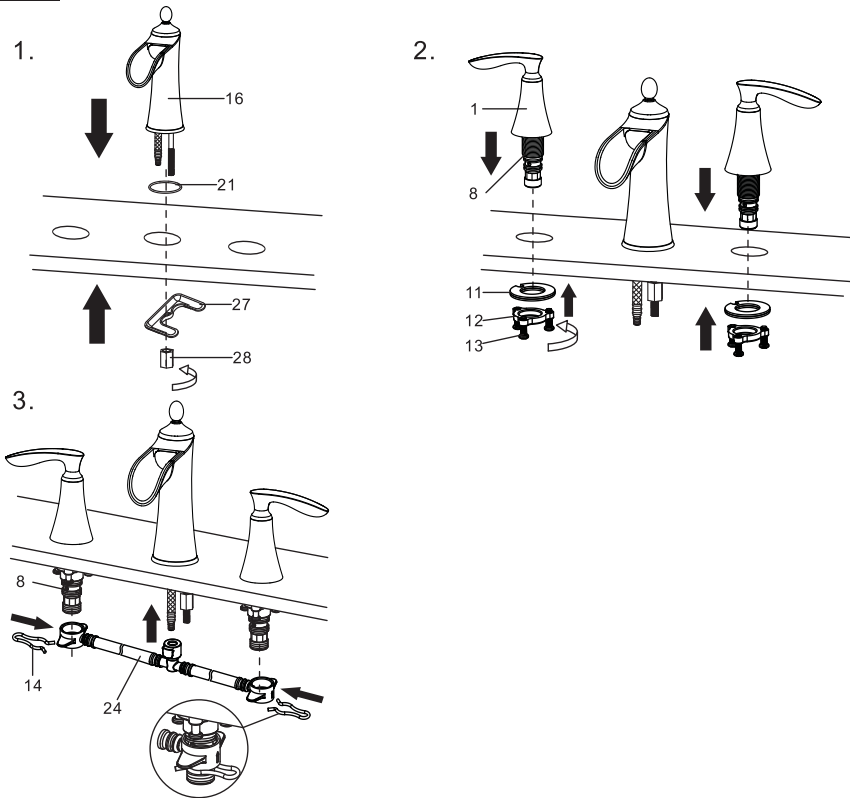
Parts Diagram



No.	Part Name
1	Handle
2	Handle Adapter
3	Lock Nut
4	O-ring
5	Cartridge (Hot)
6	Cartridge Seat
7	O-ring
8	Brass Valve Body
9	O-ring
10	O-ring
11	Gasket Assembly
12	Lock Nut
13	Screw
14	Clip
15	Spout
16	Body
17	Aerator
18	Screw
19	Flow Restrictor
20	Base
21	O-ring
22	Connect Hose
23	Mounting Bolt
24	Quick Connect Hose
25	Quick Connect
26	Cartridge (Cold)
27	Clamp
28	Lock Nut
29	Allen Wrench
30	Lift Rod
31	Lift Rod Strap
32	Lift Rod Strap Screw
33	Drain Stopper
34	Flange
35	Top Rubber Washer
36	Bottom Rubber Washer
37	Washer
38	Lock Nut
39	Drain Body
40	Tailpiece
41	Ball Rod
42	Ball Rod Gasket
43	Ball Nut
44	Spring Clip

2

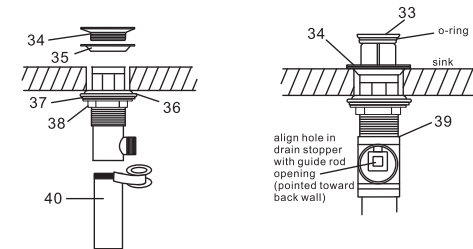
Installation Instructions



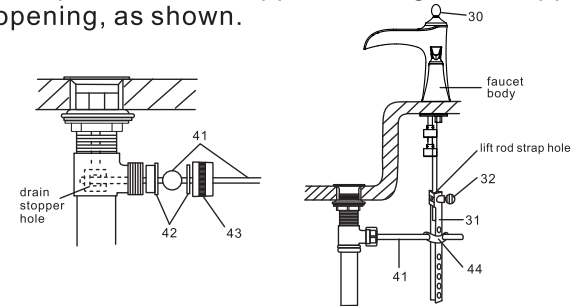
1. Verify the O-ring (#21) is in place on the body (#16) and insert through the center hole. From underneath, assemble the clamp (#27) and screw on the lock nut (#28). Tighten the lock nut (#28) using a basin wrench.
Note: Optional - Add silicone sealant under body (#16) to prevent leaks.
2. Insert the brass valve body (#8) through the far left hole (hot water side). From underneath, assemble the gasket assembly (#11) and screw on the lock nut (#12). Use a screw driver to tighten the screws (#13). Repeat this step for the far right hole (cold water side). See the diagram for a visual.
Note: Optional - Add silicone sealant under handle (#1) to prevent leaks.
3. Position the quick connect hose (#24), as shown. Connect the quick connect (#25) to the connect hose (#22). The quick connect (#25) is fully inserted when a light click or popping sound is heard. Use clip (#14) to attach the quick connect hose (#24) to the brass valve body (#8).

3

Installation Instructions



4. Disassemble the drain stopper (#33), flange (#34), and top rubber washer (#35).
5. Insert the drain body (#39) into the drain hole from under the sink. Reinstall the flange (#34) and top rubber washer (#35) to the drain body (#39) and hand tighten.
6. From under the sink, install the bottom rubber washer (#36), washer (#37) and tighten the lock nut (#38) until firmly against the sink base.
7. Disassemble the tailpiece (#40) from the drain body (#39) and apply Teflon tape clockwise. Reinstall the tailpiece (#40) to the drainbody (#39).
8. Reinstall the drain stopper (#33) into the drain body (#39). Ensure the O-ring is in place on the stopper and align the stopper hole with the guide rod opening, as shown.



9. Remove ball nut (#43) and ball rod gasket (#42) from the ball rod (#41). Insert ball rod (#41) into the drain body (#39) and the hole in the drain stopper (#33). Reinstall the ball rod gasket (#42) and ball nut (#43).
10. Insert lift rod (#30) through hole on faucet body. Connect ball rod (#41) to lift rod strap (#31) using spring clip (#44) to hold and adjust.
11. Attach lift rod strap (#31) to the lift rod (#30) by inserting the lift rod (#30) through the lift rod strap (#31) hole. Adjust the lift rod (#30) to the correct height and hand tighten lift rod strap screw (#32).