



LIMITED LIFETIME WARRANTY

Compass Manufacturing International warrants to the original consumer purchaser that the faucet be free from defects in material and workmanship for as long as the original consumer purchaser owns the home in which the faucet was first installed.

In the event that Freendo faucets are used in a Commercial Application, this warranty is limited for a period of 5 years, unless otherwise specifically stated in the catalog and/or price book.

Compass Manufacturing International will replace, free of charge, during the applicable warranty period, any part or finish that proves defective in material and/or workmanship under normal installation, use and service. This warranty shall not apply to goods which have been subject to accidents, negligence or improper installation. Compass Manufacturing International will not be liable for other damages or losses, including, but not limited to: labor charges and/or damages incurred in installation, repair or replacement as well as any other kind of loss or damage. Proof of purchase from the original consumer purchaser must be made available for all warranty claims.

Compass Manufacturing International recommends using a professional plumber for all installation and repair. Compass Manufacturing International will, at its discretion, provide new or equivalent replacement parts for any product that proves to be defective under normal usage and service. Replacement parts may be obtained by emailing the address below, calling the number below or by writing to:

Compass Manufacturing International
Freendo Product Service
6702 Enterprise Drive
Louisville, KY 40214
800.626.3525
warranty@cmiproduct.com

Revised 09/09/20

warranty@cmiproduct.com

© Compass Manufacturing International

800.626.3525



Model No. : 192-6489 Polished Chrome
192-6490 Brushed Nickel Spotless PVD
192-7275 Matte Black
192-7276 Matte Gold



**Casmir Contractor Six Function Tub
and Shower Trim Pack**



Helpful Information

Helpful Tools

Tools:

Gather the necessary tools as shown below to complete the installation of this faucet. Some may not be needed depending on the model of faucet you are installing.



Plumber's Putty
and/or Silicone



Flashlight



Channel Locks



Safety Glasses



Screwdriver



Pliers



Adjustable Wrench

Maintenance

Your new faucet is designed for years of trouble-free performance. Keep it looking new by cleaning it periodically with a soft, damp cloth. Avoid abrasive cleaners, steel wool and harsh chemicals as these will dull the finish and void your warranty.

Safety Tips

- If soldering during the installation of this faucet, remove the seats, cartridges, and washers before adding any heat. The warranty will be voided on these parts if not removed before soldering.
- Protect your eyes with safety glasses when cutting or soldering water supply line.
- Cover your drain to avoid losing parts.

Important Points

Prior to beginning installation, turn off the cold and hot water lines and turn on the old faucet to release built-up pressure. When installing your new faucet, turn the connector nuts finger tight, then use a wrench to anchor the fitting and a second wrench to tighten the nut one additional turn. Connections that are too tight can compromise the integrity of the system. Wrap all threaded connections with Teflon tape. Always wrap in a clockwise direction.

5

Troubleshooting

If the instructions were followed carefully and the faucet does not work properly, try these corrective steps.

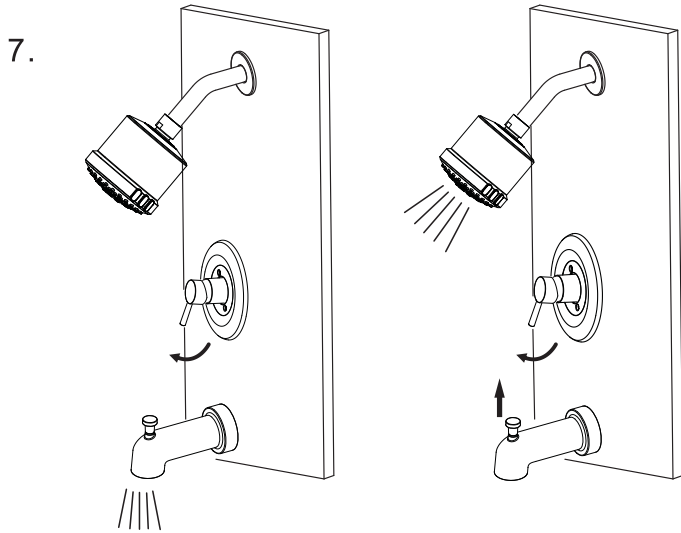
NOTE: This troubleshooting guide is intended to cover issues that may occur once the valve and trim are installed. Due to this some parts mentioned will be found in the valve pack.

Problem	Cause	Action
Leaks underneath the handle (#11).	The locknut sleeve has come loose or the O-ring on the cartridge (#8) is dirty or misaligned.	Turn off the water supplies. Remove the handle (#11), trim cap (#10) and the cartridge sleeve (#9). If the locknut sleeve (part not shown) is loose tighten it. If the locknut sleeve is tight, remove the lock nut and cartridge (#8). Verify the O-ring is clean and in proper alignment on the cartridge (#8). If the O-ring is dirty rinse with warm water. Reinstall the O-ring onto the cartridge (#8). Reinstall the cartridge (#8), locknut sleeve, cartridge sleeve (#9), trim cap (#10) and handle (#11).
The water will not shut off completely.	The rubber valve seat at the base of the pressure balance cartridge (#8) is dirty or broken.	Turn off the water supplies. Remove the handle (#11), trim cap (#10), cartridge sleeve (#9), locknut sleeve and cartridge (#8). Verify the rubber valve seat is clean and in proper alignment on the cartridge (#8). If the rubber valve seat is dirty soak in warm white vinegar for 30 minutes. Reinstall the rubber valve seat onto the cartridge (#8). Reinstall the cartridge (#8), lock nut sleeve, cartridge sleeve (#9), trim cap (#10) and handle (#11). If the rubber valve seat is damaged replace the cartridge (#8).
The water temperature cannot be adjusted or there is no hot or cold water.	The cartridge (#8) is dirty or pressure locked.	Turn off the water supplies. Remove the handle (#11), trim cap (#10), cartridge sleeve (#9), locknut sleeve and cartridge (#8). Shake the cartridge (#8) and verify the pressure balance spool (located at the bottom of the cartridge (#8)) is moving freely. If the spool is not moving, tap it on your hand until it begins to click. If the cartridge (#8) is dirty, soak it in warm white vinegar for 4 hours. Every 30 minutes, while the cartridge (#8) is submerged in the vinegar, rotate the stem on and off 10 times. Reinstall the cartridge (#8). If the cartridge (#8) is damaged, replace the cartridge (#8).

Have a question? DON'T GO BACK TO THE STORE, WE CAN HELP, just call 1-800-626-3525 ,8 a.m. to 5 p.m. EST Monday-Friday, or send an email to Help@cmiproduct.com.

4

Installation Instructions



7. Turn on both the hot and cold water shut offs and check for leaks. If leaks occur, refer to steps 3, 5, or 6.

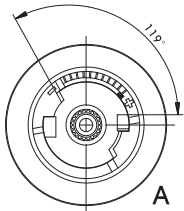
Note: Turn on both the hot and cold water shut offs before turning the faucet on. Not turning on both will cause your cartridge (#8) to become pressure locked. If this occurs, see the troubleshooting guide.

Temperature Limiting Device

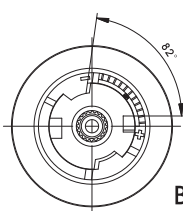
Hot Water Adjustment

Position In The Middle Is Recommended

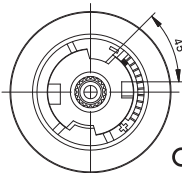
Cold Water Adjustment



High Temperature setting
(Factory setting)



Average Temperature setting

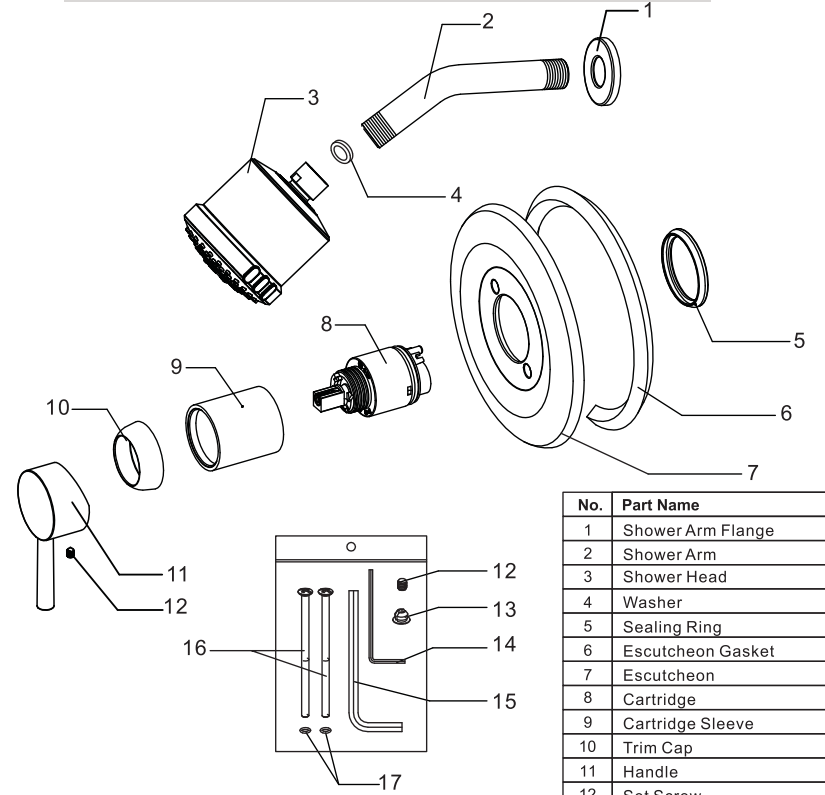


Low Temperature setting

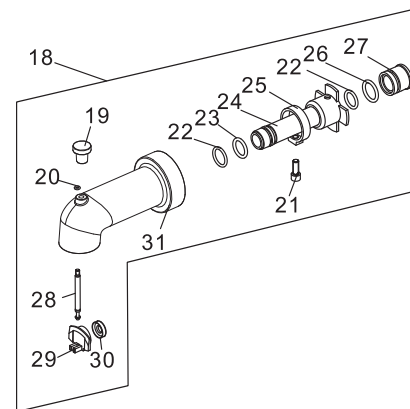
By default, the temperature limiting device is set to the highest temperature setting (A). In order to reduce the temperature, remove the temperature limiting device (the red cap) and turn the device clockwise to the desired temperature (position B or C).

1

Parts Diagram

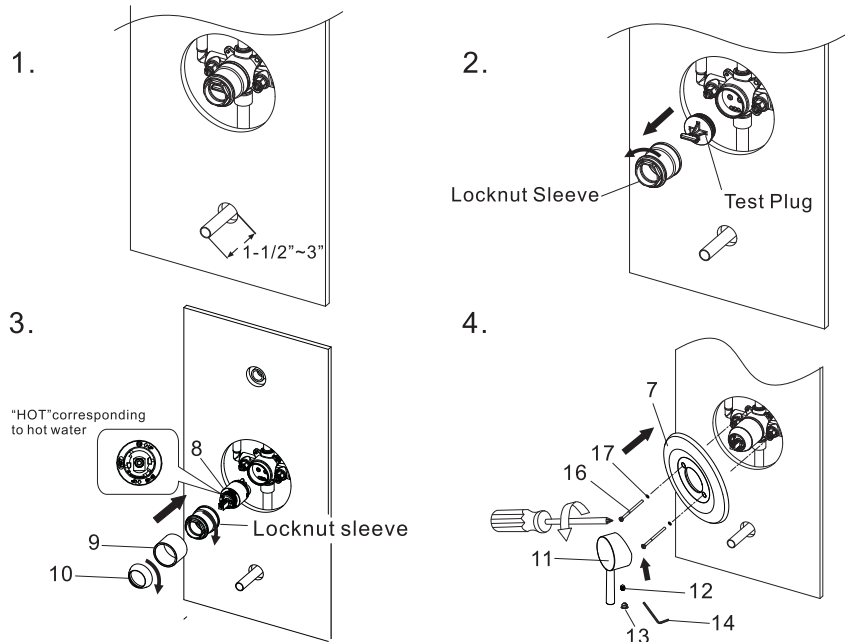


No.	Part Name
1	Shower Arm Flange
2	Shower Arm
3	Shower Head
4	Washer
5	Sealing Ring
6	Escutcheon Gasket
7	Escutcheon
8	Cartridge
9	Cartridge Sleeve
10	Trim Cap
11	Handle
12	Set Screw
13	Handle Button
14	Small Allen Wrench
15	Large Allen Wrench
16	Escutcheon Screws
17	Escutcheon Screw O-rings
18	Spout Assembly
19	Knob
20	O-ring
21	Screw
22	O-ring
23	O-ring
24	Plastic Core
25	Ring
26	O-ring
27	Core Cover
28	Pulling Core
29	Sealing Plate
30	Washer
31	Spout



2

Installation Instructions



1. Install a supply pipe for the spout. Use the proper length pipe so that it will extend 1-1/2" - 3" from the finish wall.

Note: In order to assure proper function, piping from the bottom port of valve to tub spout outlet must be either 1/2" nominal copper pipe or 1/2" iron pipe. **DO NOT USE PEX FOR THE TUB SPOUT DROP.**

2. Remove the locknut sleeve and test plug as shown.

Note: DO NOT DISCARD locknut sleeve. This item is used to secure the cartridge (#8).

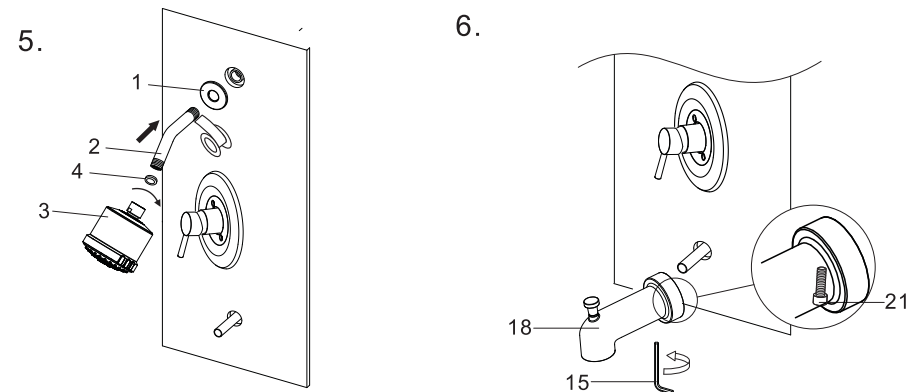
3. Insert the cartridge (#8) into the valve body. Be sure the word "hot" is on the hot water supply side. Screw the locknut sleeve onto the valve body. Slide the cartridge sleeve (#9) over the locknut sleeve and screw on the trim cap (#10). See diagram for visual.

Note: Close the bathtub drain to avoid losing parts.

4. Install the escutcheon (#7) and secure it using the escutcheon screws (#16) with the escutcheon screw O-rings (#17). Turn the valve to the off position. Install the handle (#11) and secure it with the set screw (#12).

3

Installation Instructions



5. Slide the shower arm flange (#1) over the longer end of the shower arm (#2). Apply Teflon tape to both ends of the shower arm (#2). Install the shower arm (#2) to wall. Install the shower head (#3) to the shower arm (#2).

Note: Ensure the washer (#4) is between the shower arm (#2) and the shower head (#3).

6. Slide the spout assembly (#18) onto the nipple. Secure with screw (#21), using the large Allen wrench (#15). See the diagram for a visual.

Note: The spout (#31) can be screwed directly onto a threaded nipple. If this option is being used, unscrew the plastic core (#24). The plastic core (#24), ring (#25) and screw (#21) will not be needed. Measure the spout (#31) from the threads to the back of the spout (#31) to determine the length of nipple needed. Screw the spout (#31) directly onto the nipple.