



LIMITED LIFETIME WARRANTY

Compass Manufacturing International warrants to the original consumer purchaser that the faucet be free from defects in material and workmanship for as long as the original consumer purchaser owns the home in which the faucet was first installed.

In the event that Freendo Faucets are used in a Commercial Application, this warranty is limited for a period of 5 years, unless otherwise specifically stated in the catalog and/or price book.

Compass Manufacturing International will replace, free of charge, during the applicable warranty period, any part or finish that proves defective in material and/or workmanship under normal installation, use and service. This warranty shall not apply to goods which have been subject to accidents, negligence or improper installation. Compass Manufacturing International will not be liable for other damages or losses, including, but not limited to: labor charges and/or damages incurred in installation, repair or replacement as well as any other kind of loss or damage. Proof of purchase from the original consumer purchaser must be made available for all warranty claims.

Compass Manufacturing International recommends using a professional plumber for all installation and repair. Compass Manufacturing International will, at its discretion, provide new or equivalent replacement parts for any product that proves to be defective under normal usage and service. Replacement parts may be obtained by emailing the address below, calling the number below or by writing to:

Compass Manufacturing International

Freendo Product Service

6702 Enterprise Drive

Louisville, KY 40214

800.626.3525

warranty@cmiproduct.com

Revised 08/10/20

warranty@cmiproduct.com

© Compass Manufacturing International

800.626.3525



Model No. : 192-6887 Polished Chrome
192-6888 Brushed Nickel *Spotless* PVD[™]
192-6889 Oil-Rubbed Bronze



**Noble Two Handle High Arc Kitchen
Faucet With Side Spray**

4 Hole Installation



Helpful Information

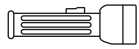
Helpful Tools

Tools:

Gather the necessary tools as shown below to complete the installation of this faucet. Some may not be needed depending on the model of faucet you are installing.



Plumber's Putty
and/or Silicone



Flashlight



Basin Wrench



Safety Glasses



Screwdriver



Pliers



Channel Locks



Adjustable Wrench

Maintenance

Your new faucet is designed for years of trouble-free performance. Keep it looking new by cleaning it periodically with a soft, damp cloth. Avoid abrasive cleaners, steel wool and harsh chemicals as these will dull the finish and void your warranty.

Safety Tips

- If you use soldering for the installation of the faucet, the seats, cartridges and washers will have to be removed before using flame. Otherwise, the warranty will be void on these parts.
- Protect your eyes with safety glasses when cutting or soldering water supply line.
- Cover your drain to avoid losing parts.

Important Points

Prior to beginning installation, turn off the cold and hot water lines and turn on the old faucet to release built-up pressure. When installing your new faucet, turn the connector nuts finger tight, then use a wrench to tighten the nut one additional turn. Connections that are too tight can compromise the integrity of the system. Wrap all threaded connections with Teflon tape. Always wrap in a clockwise direction.

5

Troubleshooting

If the instructions were followed carefully and the faucet does not work properly, try these corrective steps.

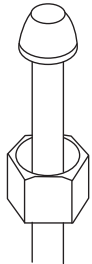
Problem	Cause	Action
Leaks underneath handles (#1).	The lock nut (#5) has come loose or the O-ring on the cartridge (#6 or #7) is dirty or misaligned.	Turn off the water supplies. Turn on the hot and cold handles (#1) to release the pressure, then close the handles (#1). Remove the index (#3 or #4), set screws (#2), and handle (#1). If the lock nut (#5) is loose tighten it. If the lock nut (#5) is tight, remove the lock nut (#5) and cartridge (#6 or #7). Verify the O-ring is clean and in proper alignment on the cartridge (#6 or #7). If the O-ring is dirty rinse with warm water. Reinstall the O-ring onto the cartridge (#6 or #7). Reinstall the cartridge (#6 or #7), lock nut (#5), handles (#1), set screws (#2), and index (#3 or #4). Turn the water supplies on.
Water will not shut off completely.	Dirty or damaged cartridge (#6 or #7).	Turn off the water supplies. Turn on the hot and cold handles (#1) to release the pressure, then close the handles (#1). Remove the index (#3 or #4), set screws (#2), and handles (#1), lock nut (#5), and cartridge (#6 or #7). Check the ceramic disk for dirt and damage. Replace the cartridge (#6 or #7) if damaged. If the cartridge (#6 or #7) is dirty, soak it in warm white vinegar for 4 hours. Every 30 minutes, while the cartridge (#6 or #7) is completely submerged, turn the stem on and off 10 times. Reinstall the cartridge (#6 or #7), lock nut (#5), handles (#1), set screws (#2), and index (#3 or #4). Turn the water supplies on.
The aerator assembly (#28) leaks or has an inconsistent water flow pattern.	Aerator assembly (#28) is dirty or misaligned.	Remove the aerator assembly (#28) and check the rubber packing. If the rubber packing is misaligned, realign the rubber packing and reinstall. If the aerator assembly (#28) is dirty rinse with warm water. Reinstall or replace the aerator assembly (#28).

Have a question? DON'T GO BACK TO THE STORE, WE CAN HELP, just call 1-800-626-3525 ,8 a.m. to 5 p.m. EST Monday-Friday, or send an email to Help@cmiproduct.com.

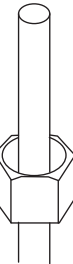
4

Configuration

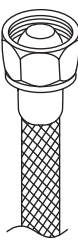
A. Brazed Underbody



B. Brazed Underbody



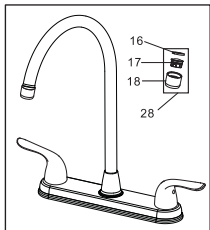
C. Brazed Underbody



- Connect to water supply lines with either:
- (A) 3/8" O.D. Copper tubing (ball nose risers with the coupling nuts or;
 - (B) 3/8" Copper tubing (no ball) with supplied tube head interior connector or;
 - (C) IPS faucet connectors (1/2")



Warning:
The supply lines are not included.

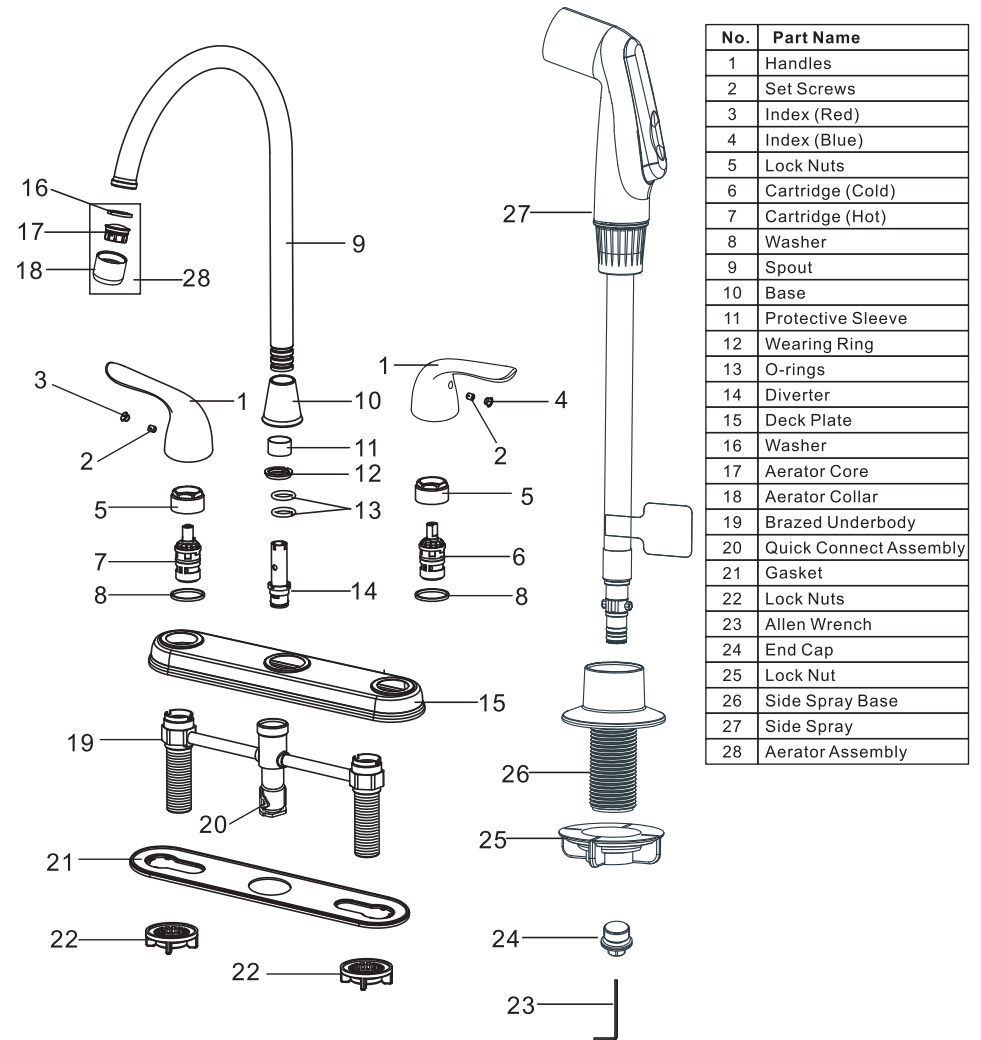


Important:
Remove the aerator assembly (#28) by hand. Do NOT use pliers to remove the aerator assembly (#28) as this may cause damage. Turn on the hot and cold water for one minute. This will flush any debris from the lines that may clog the system. Turn off the water and reinstall the aerator assembly (#28).

Test system for leaks.

1

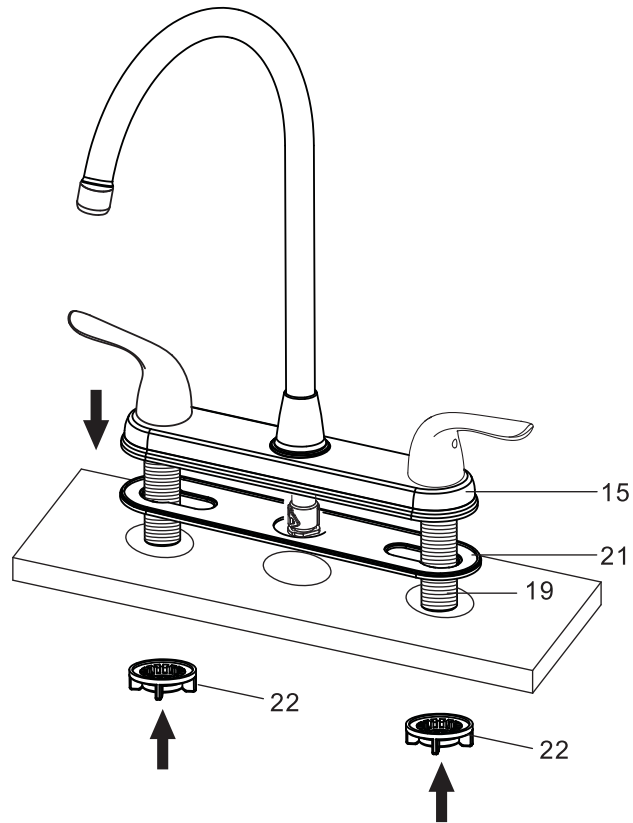
Parts Diagram / List



No.	Part Name
1	Handles
2	Set Screws
3	Index (Red)
4	Index (Blue)
5	Lock Nuts
6	Cartridge (Cold)
7	Cartridge (Hot)
8	Washer
9	Spout
10	Base
11	Protective Sleeve
12	Wearing Ring
13	O-rings
14	Diverter
15	Deck Plate
16	Washer
17	Aerator Core
18	Aerator Collar
19	Brazed Underbody
20	Quick Connect Assembly
21	Gasket
22	Lock Nuts
23	Allen Wrench
24	End Cap
25	Lock Nut
26	Side Spray Base
27	Side Spray
28	Aerator Assembly

2

Installation Instructions

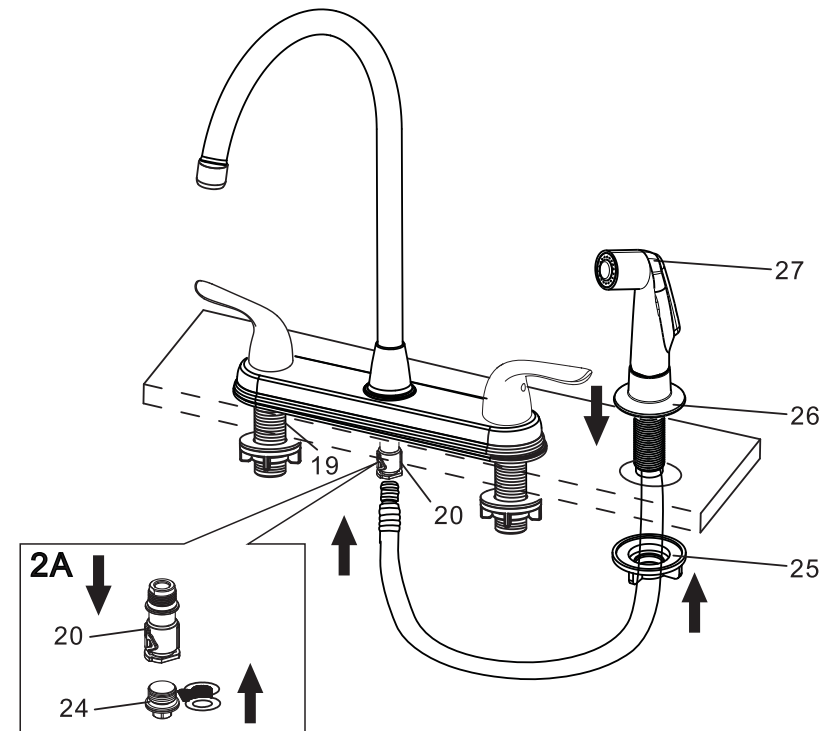


1. Place plumbers putty/silicone sealant beneath the gasket (#21). Slide the brazed underbody (#19) into the faucet holes and hand tighten the lock nuts (#22).

Note: Do not remove the customer service tag with the model number and phone number. This information will be needed when calling the customer service department.

3

Installation Instructions



2. Side Spray Installation:

Apply plumbers putty/silicone sealant to the side spray base (#26), insert into the far right hole, and screw on the lock nut (#25). Slide the side spray (#27) through the base and connect to the quick connect assembly (#20). The hose is fully connected when you hear a light click or popping sound.

Note: Side spray (#27) installation is optional. To install without the side spray (#27), remove the quick connect assembly (#20). Wrap the threads of the end cap (#24) with Teflon tape and tighten onto the brazed underbody (#19). See diagram 2A for an example.