



## LIMITED LIFETIME WARRANTY

Compass Manufacturing International warrants to the original consumer purchaser that the faucet be free from defects in material and workmanship for as long as the original consumer purchaser owns the home in which the faucet was first installed.

In the event that Freendo Faucets are used in a Commercial Application, this warranty is limited for a period of 5 years, unless otherwise specifically stated in the catalog and/or price book.

Compass Manufacturing International will replace, free of charge, during the applicable warranty period, any part or finish that proves defective in material and/or workmanship under normal installation, use and service. This warranty shall not apply to goods which have been subject to accidents, negligence or improper installation. Compass Manufacturing International will not be liable for other damages or losses, including, but not limited to: labor charges and/or damages incurred in installation, repair or replacement as well as any other kind of loss or damage. Proof of purchase from the original consumer purchaser must be made available for all warranty claims.

Compass Manufacturing International recommends using a professional plumber for all installation and repair. Compass Manufacturing International will, at its discretion, provide new or equivalent replacement parts for any product that proves to be defective under normal usage and service. Replacement parts may be obtained by emailing the address below, calling the number below or by writing to:

**Compass Manufacturing International**  
Freendo Product Service  
6702 Enterprise Drive  
Louisville, KY 40214  
800.626.3525  
[warranty@cmiproduct.com](mailto:warranty@cmiproduct.com)

Revised 09/18/19

[warranty@cmiproduct.com](mailto:warranty@cmiproduct.com)

© Compass Manufacturing International

800.626.3525



Model No. : 192-6970 Polished Chrome  
192-6971 Brushed Nickel Spotless PVD



**Aegean Series Contractor Handle and Escutcheon  
Trim Pack**



## Helpful Information

### Helpful Tools

#### Tools:

Gather the necessary tools as shown below to complete the installation of this faucet. Some may not be needed depending on the model of faucet you are installing.



Plumber's Putty  
and/or Silicone



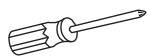
Flashlight



Basin Wrench



Safety Glasses



Screwdriver



Pliers



Channel Locks



Adjustable Wrench

## Maintenance

Your new faucet is designed for years of trouble-free performance. Keep it looking new by cleaning it periodically with a soft, damp cloth. Avoid abrasive cleaners, steel wool and harsh chemicals as these will dull the finish and void your warranty.

## Safety Tips

- If you use soldering for the installation of the faucet, the seats, cartridges and washers will have to be removed before using flame. Otherwise, the warranty will be void on these parts.
- Protect your eyes with safety glasses when cutting or soldering water supply line.
- Cover your drain to avoid losing parts.

## Important Points

Prior to beginning installation, turn off the cold and hot water lines and turn on the old faucet to release built-up pressure. When installing your new faucet, turn the connector nuts finger tight, then use a wrench to anchor the fitting and a second wrench to tighten the nut one additional turn. Connections that are too tight can compromise the integrity of the system. Wrap all threaded connections with teflon tape. Always wrap in a clockwise direction.

## 5

## Troubleshooting

If the instructions were followed carefully and the faucet does not work properly, try these corrective steps.

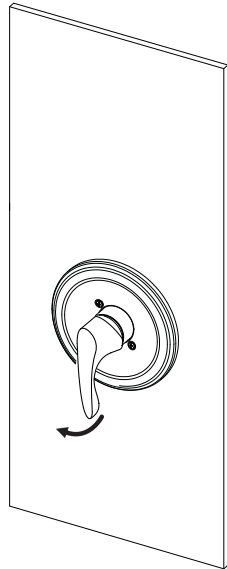
**NOTE:** This troubleshooting guide is intended to cover issues that may occur once the valve and trim are installed. Due to this some parts mentioned will be found in the valve pack.

Problem	Cause	Action
Leaks underneath the handle (#7).	The lock nut sleeve has come loose or the O-ring on the cartridge (#4) is dirty or misaligned.	Turn off the water supplies. Remove the handle (#7), trim cap (#6) and the cartridge sleeve (#5). If the lock nut sleeve is loose tighten it. If the lock nut sleeve is tight, remove the lock nut sleeve and cartridge (#4). Verify the O-ring is clean and in proper alignment on the cartridge (#4). If the O-ring is dirty rinse with warm water. Reinstall the O-ring onto the cartridge (#4). Reinstall the cartridge (#4), locknut sleeve, cartridge sleeve (#5), trim cap (#6) and handle (#7).
The water will not shut off completely.	The rubber valve seat at the base of the pressure balance cartridge (#4) is dirty or broken.	Turn off the water supplies. Remove the handle (#7), trim cap (#6), cartridge sleeve (#5), locknut sleeve and cartridge (#4). Verify the rubber valve seat is clean and in proper alignment on the cartridge (#4). If the rubber valve seat is dirty soak in warm white vinegar for 30 minutes. Reinstall the rubber valve seat onto the cartridge (#4). Reinstall the cartridge (#4), locknut sleeve, cartridge sleeve (#5), trim cap (#6) and handle (#7). If the rubber valve seat is damaged replace the cartridge (#4).
The water temperature cannot be adjusted or there is no hot or cold water.	The cartridge (#4) is dirty or pressure locked.	Turn off the water supplies. Remove the handle (#7), trim cap (#6), cartridge sleeve (#5), locknut sleeve and cartridge (#4). Shake the cartridge (#4) and verify the pressure balance spool (located at the bottom of the cartridge (#4)) is moving freely. If the spool is not moving, tap it on your hand until it begins to click. If the cartridge (#4) is dirty, soak it in warm white vinegar for 4 hours. Every 30 minutes, while the cartridge (#4) is submerged in the vinegar, rotate the stem on and off 10 times. Reinstall the cartridge (#4). If the cartridge (#4) is damaged, replace the cartridge (#4).

Have a question? DON'T GO BACK TO THE STORE, WE CAN HELP, just call 1-800-626-3525 ,8 a.m. to 5 p.m. EST Monday-Friday, or send an email to [Help@cmiproduct.com](mailto:Help@cmiproduct.com).

# 4

## Configuration



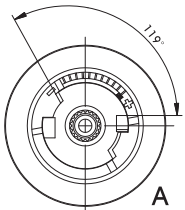
Turn on water and check for leaks. If there are leaks, please reinstall.

### Adjusting hot water stop.

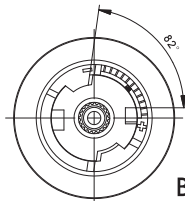
Hot Water Adjustment

Position In The Middle Is Recommended

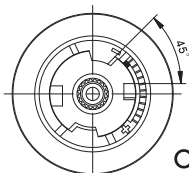
Cold Water Adjustment



High Temperature setting  
(Factory setting)



Average Temperature setting

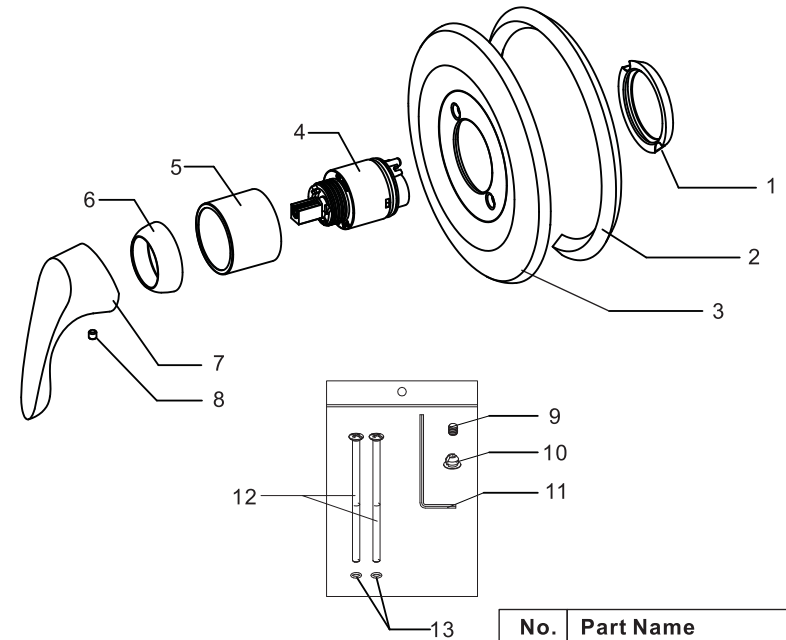


Low Temperature setting

By default, the temperature limiting device is set to the highest temperature (A). In order to reduce the temperature, remove the temperature limiting device and turn clockwise to the desired position (B or C).

# 1

## Parts Diagram

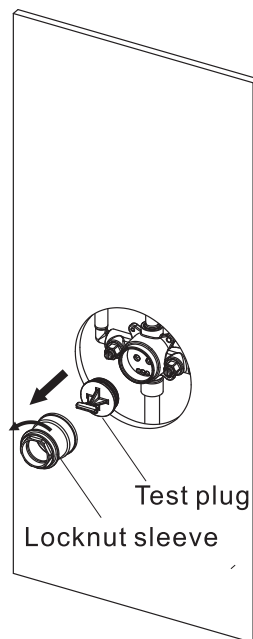


No.	Part Name
1	Sealing Ring
2	Escutcheon Gasket
3	Escutcheon
4	Cartridge
5	Cartridge Sleeve
6	Trim Cap
7	Handle
8	Set Screw
9	Screw
10	Hot/Cold Button
11	Allen Wrench
12	Escutcheon Screw
13	O-ring

## 2

### Installation Instructions

1.



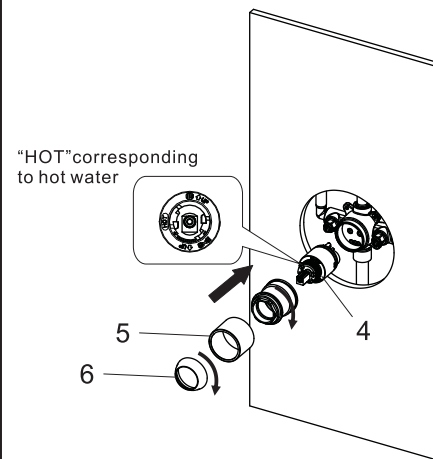
1. Remove the locknut sleeve and test plug as shown.

**Note:** DO NOT DISCARD locknut sleeve. This item is used to secure the cartridge (#4).

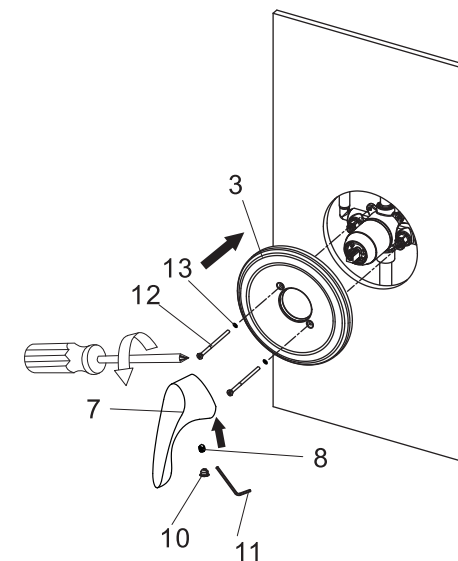
## 3

### Installation Instructions

2.



3.



2. Insert the cartridge (#4) into the valve body. Be sure the word "hot" is on the hot water supply side. Screw the locknut sleeve onto the valve body. Slide the cartridge sleeve (#5) over the locknut sleeve and screw on the trim cap (#6). See diagram for visual.

**Note:** Close the bathtub drain to avoid losing parts.

3. Install the escutcheon (#3) and secure it using the escutcheon screws (#12) with the o-rings (#13). Turn the valve to the off position. Install the handle (#7) and secure it with the set screw (#8), using the Allen wrench (#11). Install the hot/cold button (#10).