



LIMITED LIFETIME WARRANTY

Compass Manufacturing International warrants to the original consumer purchaser that the faucet be free from defects in material and workmanship for as long as the original consumer purchaser owns the home in which the faucet was first installed.

In the event that Freendo faucets are used in a Commercial Application, this warranty is limited for a period of 5 years, unless otherwise specifically stated in the catalog and/or price book.

Compass Manufacturing International will replace, free of charge, during the applicable warranty period, any part or finish that proves defective in material and/or workmanship under normal installation, use and service. This warranty shall not apply to goods which have been subject to accidents, negligence or improper installation. Compass Manufacturing International will not be liable for other damages or losses, including, but not limited to: labor charges and/or damages incurred in installation, repair or replacement as well as any other kind of loss or damage. Proof of purchase from the original consumer purchaser must be made available for all warranty claims.

Compass Manufacturing International recommends using a professional plumber for all installation and repair. Compass Manufacturing International will, at its discretion, provide new or equivalent replacement parts for any product that proves to be defective under normal usage and service. Replacement parts may be obtained by emailing the address below, calling the number below or by writing to:

Compass Manufacturing International

Freendo Product Service

6702 Enterprise Drive

Louisville, KY 40214

800.626.3525

warranty@cmiproduct.com

Revised 05/25/20

warranty@cmiproduct.com

© Compass Manufacturing International

800.626.3525



Model No. : 192-7132 Polished Chrome
192-7133 Brushed Nickel *Spotless PVD*[™]
192-7134 Matte Black
192-7135 Matte Gold



Casmir Two Handle Bathroom Faucet with Push Style Pop-Up



Helpful Information

Helpful Tools

Tools:

Gather the necessary tools as shown below to complete the installation of this faucet. Some may not be needed depending on the model of faucet you are installing.



Plumber's Putty
and/or Silicone



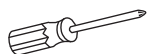
Flashlight



Basin Wrench



Safety Glasses



Screwdriver



Pliers



Channel Locks



Adjustable Wrench

Maintenance

Your new faucet is designed for years of trouble-free performance. Keep it looking new by cleaning it periodically with a soft, damp cloth. Avoid abrasive cleaners, steel wool and harsh chemicals as these will dull the finish and void your warranty.

Safety Tips

- If you use solder for the installation of this faucet, remove the seats, cartridges and washers before soldering. Otherwise the warranty will be voided on these parts.
- Protect your eyes with safety glasses when cutting or soldering water supply line.
- Cover your drain to avoid losing parts.

Important Points

Prior to beginning installation, turn off the cold and hot water lines and turn on the old faucet to release built-up pressure. When installing your new faucet, turn the connector nuts finger tight, then use a wrench to anchor the fitting and a second wrench to tighten the nut one additional turn. Connections that are too tight can compromise the integrity of the system. Wrap all threaded connections with Teflon tape. Always wrap in a clockwise direction.

5

Troubleshooting

If the instructions were followed carefully and the faucet does not work properly, try these corrective steps.

Problem	Cause	Action
Leaks underneath handle (#3).	The lock nut (#5) has come loose or the O-ring on the cartridge (#7 or #20) is dirty or misaligned.	Turn off the water supplies. Turn on the hot and cold handles (#3) to release the pressure, then close the handles (#3). Remove the handle button (#1 or #19), set screw (#2), and handle (#3). If the lock nut (#5) is loose tighten it. If the lock nut (#5) is tight, remove the lock nut (#5) and cartridge (#7 or #20). Verify the O-ring is clean and in proper alignment on the cartridge (#7 or #20). If the O-ring is dirty rinse with warm water. Reinstall the O-ring onto the cartridge (#7 or #20). Reinstall the cartridge (#7 or #20), lock nut (#5), handle (#3), set screw (#2), and handle button (#1 or #19). Turn the water supplies on.
Water will not shut off completely.	Dirty or damaged cartridge (#7 or #20).	Turn off the water supplies. Turn on the hot and cold handles (#3) to release the pressure, then close the handles (#3). Remove the handle button (#1 or #19), set screw (#2), and handle (#3), lock nut (#5), and cartridge (#7 or #20). Check the ceramic disk for dirt and damage. Replace the cartridge (#7 or #20) if damaged. If the cartridge (#7 or #20) is dirty, soak it in warm white vinegar for 4 hours. Every 30 minutes, while the cartridge (#7 or #20) is completely submerged, turn the stem on and off 10 times. Reinstall the cartridge (#7 or #20), lock nut (#5), handle (#3), set screw (#2), and handle button (#1 or #19). Turn the water supplies on.
The aerator assembly (#32) leaks or has an inconsistent water flow pattern.	Aerator assembly (#32) is dirty or misaligned.	Remove the aerator assembly (#32) and check the rubber packing. If the rubber packing is misaligned, realign the rubber packing and reinstall. If the aerator assembly (#32) is dirty rinse with warm water. Reinstall or replace the aerator assembly (#32).

Have a question? DON'T GO BACK TO THE STORE, WE CAN HELP, just call 1-800-626-3525 ,8 a.m. to 5 p.m. EST Monday-Friday, or send an email to Help@cmiproduct.com.

4

Configuration

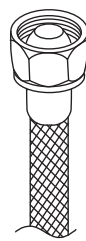
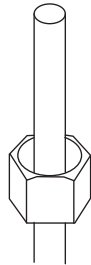
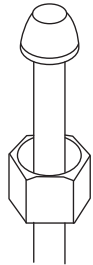
A. Faucet Shank



B. Faucet Shank



C. Faucet Shank

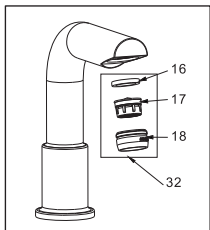


Connect to water supply lines with either:

- (A) 3/8" O.D. Copper tubing (ball nose risers with the coupling nuts or;
- (B) 3/8" Copper tubing (no ball) with supplied tube head interior connector or;
- (C) IPS faucet connectors (1/2")



Warning:
The supply lines are not included.



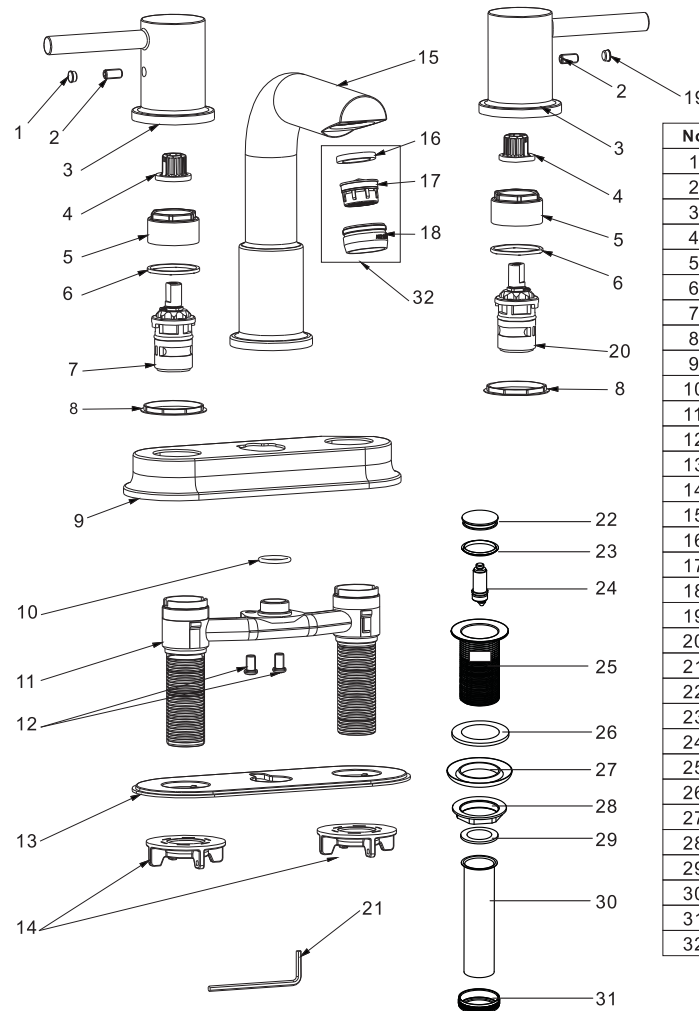
Important:

Remove the aerator assembly (#32) by hand. Do NOT use pliers to remove the aerator assembly (#32) as this may cause damage. Turn on the hot and cold water for one minute. This will flush any debris from the lines that may clog the system. Turn off the water and reinstall the aerator assembly (#32).

Test system for leaks.

1

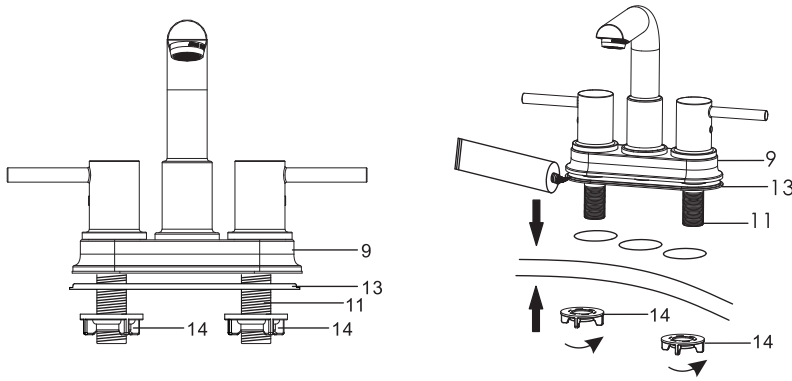
Parts Diagram / List



No.	Part Name
1	Handle Button (Red)
2	Set Screw
3	Handle
4	Connector
5	Lock Nut
6	Washer
7	Cartridge (Hot)
8	Wearing Ring
9	Deck Plate
10	O-ring
11	Brazed Underbody
12	Screws
13	Gasket
14	Lock Nut
15	Spout
16	Washer
17	Aerator Core
18	Aerator Collar
19	Handle Button (Blue)
20	Cartridge (Cold)
21	Allen Wrench
22	Cover
23	Washer
24	Stopper Core
25	Stopper Housing
26	Top Rubber Washer
27	Bottom Rubber Washer
28	Lock Nut
29	Washer
30	Outlet Pipe
31	Nut
32	Aerator Assembly

2

Installation Instructions



1. Shut off the water supplies before installation. Remove the current faucet. Clean and dry the surface the new faucet will be installed on.
2. Unscrew the lock nut (#14) from the brazed underbody (#11).
Note: Do not remove the customer service tag with the model number and phone number. This information will be needed when calling the customer service department.
3. Place silicone sealant beneath the gasket (#13) and insert the brazed underbody (#11) through the faucet holes.
4. Screw the lock nut (#14) onto the brazed underbody (#11) hand tight. Do Not over tighten.
Hint: Have someone hold the deck plate (#9) in place while tightening.

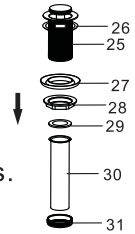
3

Pop-up Installation

Instruction for product with drain option only

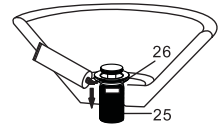
5. Disassemble the drain assembly, by removing the nut (#31), outlet pipe (#30), washer (#29), lock nut (#28), and bottom rubber washer (#27).

Note: Before installation, verify there is no damage to the drain. If there is damage, please call customer service for a replacement. Do NOT install damaged parts.

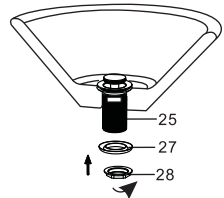


6. Remove the old drain assembly. Clean the surface to remove the old adhesive and dirt before installing the new drain. Dry the area thoroughly.

7. Place a ring of silicone sealant around the top rubber washer (#26) on the stopper housing (#25) or the drain opening of the sink. Insert the stopper housing (#25) into the drain hole from the top.



8. From underneath the sink, slide the bottom rubber washer (#27) onto the stopper housing (#25), then screw on the lock nut (#28) hand tight. Do not over tighten. See the diagram for a visual.



9. Slide the nut (#31) over the outlet pipe (#30) and insert the washer (#29) onto the outlet pipe (#30). Screw the nut (#31) onto the stopper housing (#25) hand tight. Do not over tighten.

Note: The outlet pipe (#30) connects to the p-trap drain. Refer to the installation instructions for the p-trap for more information on how to connect the outlet pipe (#30) to the p-trap drain.

