



LIMITED LIFETIME WARRANTY

Compass Manufacturing International warrants to the original consumer purchaser that the faucet be free from defects in material and workmanship for as long as the original consumer purchaser owns the home in which the faucet was first installed.

In the event that Freendo Faucets are used in a Commercial Application, this warranty is limited for a period of 5 years, unless otherwise specifically stated in the catalog and/or price book.

Compass Manufacturing International will replace, free of charge, during the applicable warranty period, any part or finish that proves defective in material and/or workmanship under normal installation, use and service. This warranty shall not apply to goods which have been subject to accidents, negligence or improper installation. Compass Manufacturing International will not be liable for other damages or losses, including, but not limited to: labor charges and/or damages incurred in installation, repair or replacement as well as any other kind of loss or damage. Proof of purchase from the original consumer purchaser must be made available for all warranty claims.

Compass Manufacturing International recommends using a professional plumber for all installation and repair. Compass Manufacturing International will, at its discretion, provide new or equivalent replacement parts for any product that proves to be defective under normal usage and service. Replacement parts may be obtained by emailing the address below, calling the number below or by writing to:

Compass Manufacturing International
Freendo Product Service
6702 Enterprise Drive
Louisville, KY 40214
800.626.3525
warranty@cmiproduct.com

Revised 02/28/25

warranty@cmiproduct.com

© Compass Manufacturing International

800.626.3525



Model No. : 192-6962 Polished Chrome
192-6963 Brushed Nickel Spotless PVD
192-7165 Matte Black
192-7164 Matte Gold



**Casmir Single Handle Bathroom Faucet
with Flip Drain Stopper**
Single or 3 Hole Installation



Helpful Information

Helpful Tools

Tools:

Gather the necessary tools as shown below to complete the installation of this faucet. Some may not be needed depending on the model of faucet you are installing.



Plumber's Putty
and/or Silicone



Flashlight



Basin Wrench



Safety Glasses



Screwdriver



Pliers



Channel Locks



Adjustable Wrench

Maintenance

Your new faucet is designed for years of trouble-free performance. Keep it looking new by cleaning it periodically with a soft, damp cloth. Avoid abrasive cleaners, steel wool and harsh chemicals as these will dull the finish and void your warranty.

Safety Tips

- If you use soldering for the installation of the faucet, the seats, cartridges and washers will have to be removed before using flame. Otherwise, the warranty will be void on these parts.
- Protect your eyes with safety glasses when cutting or soldering water supply line.
- Cover your drain to avoid losing parts.

Important Points

Prior to beginning installation, turn off the cold and hot water lines and turn on the old faucet to release built-up pressure. When installing your new faucet, turn the connector nuts finger tight, then use a wrench to anchor the fitting and a second wrench to tighten the nut one additional turn. Connections that are too tight can compromise the integrity of the system. Wrap all threaded connections with teflon tape. Always wrap in a clockwise direction.

5

Trouble-Shooting

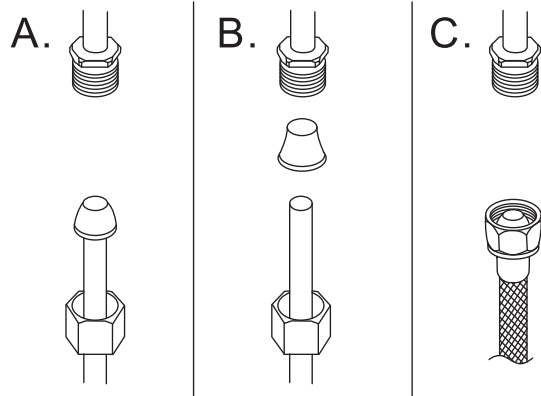
If the instructions were followed carefully and the faucet does not work properly, try these corrective steps.

Problem	Cause	Action
Leaks underneath handle.	Lock nut (#5) has come loose.	Tighten the lock nut (#5).
Water will not shut off completely.	Dirty or damaged cartridge (#6).	Remove handle (#3) and cartridge (#6) to check if ceramic disk is damaged permanently or dirty. Re-install or replace the cartridge (#6).
Aerator leaks or has an inconsistent water flow pattern.	Aerator (#9) is dirty or misaligned.	Unscrew the aerator (#9) to check rubber packing or replace the aerator (#9).

Have a question? DON'T GO BACK TO THE STORE, WE CAN HELP, just call 1-800-626-3525 ,8 a.m. to 5 p.m. EST Monday-Friday, or send an email to Help@cmiproduct.com.

4

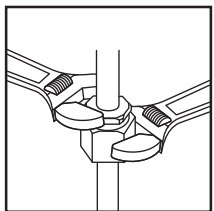
Configuration



Warning:
The supply valves and supply lines are not included.

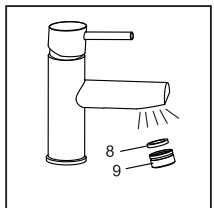
Connect to water supply lines with either:

- (A) 3/8" O.D. Copper tubing (ball nose risers with the coupling nuts or;
- (B) 3/8" Copper tubing (no ball) with supplied tube head interior connector or;
- (C) IPS faucet connectors (1/2")



Important:

Tighten connection with two wrenches to prevent damage to tube body. Be careful not to bend the stem as this will void the product warranty.



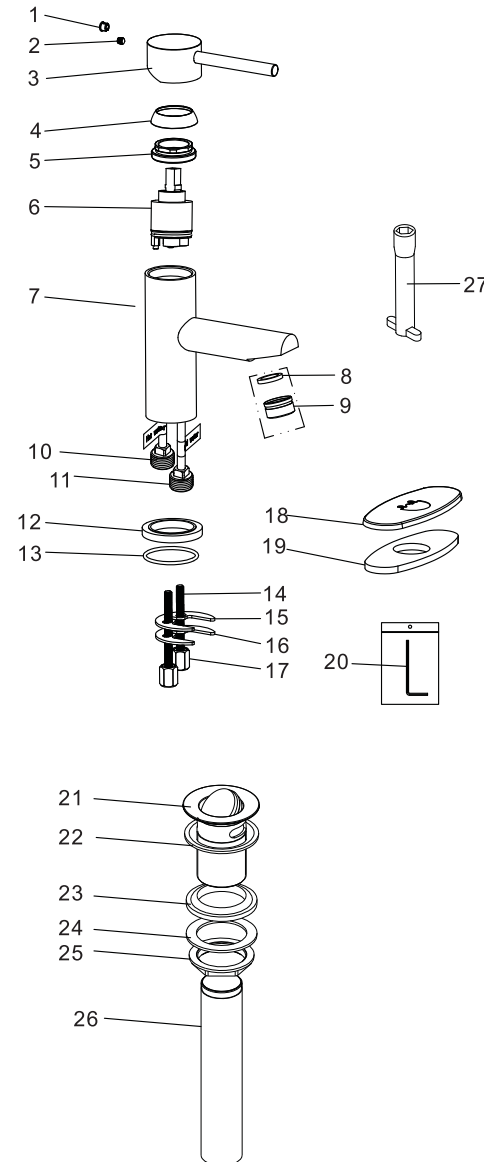
Important:

Remove the aerator (#9) and O-ring (#8). Turn on the hot and cold water for one minute. This will flush any debris from the lines that might clog the system. Turn off the water and re-install the O-ring (#8) and aerator (#9).

Test system for leaks.

1

Parts Diagram / List

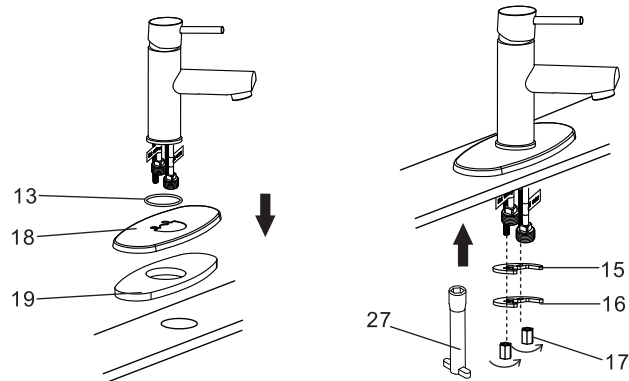


No.	Part Name
1	Index
2	Screw
3	Handle
4	Trim Cap
5	Cartridge Locknut
6	Cartridge
7	Body
8	O-ring
9	Aerator
10	Copper Tube (Hot)
11	Copper Tube (Cold)
12	Base
13	O-ring
14	Mounting Bolt
15	Rubber Washer
16	Clamp
17	Locknut
18	Deck Plate
19	Gasket
20	Allen Wrench
21	Drain Body
22	Top Rubber Washer
23	Bottom Rubber Washer
24	Rubber Washer
25	Locknut
26	Tailpiece
27	Socket Wrench

2

Installation Instructions

Deck Plate Installation

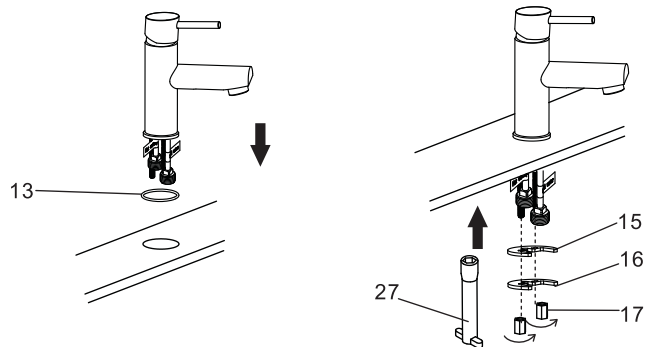


1. Position the faucet, O-ring (#13), deck plate (#18), and gasket (#19) on the countertop in the order shown.
2. Attach the faucet to the countertop using the rubber washer (#15), clamp (#16) and locknut (#17), Tighten the locknut (#17) with the socket wrench (#27).

DO NOT OVER TIGHTEN.

Add silicone under gasket (#19) to prevent leaks. (Optional)

Single Hole Installation

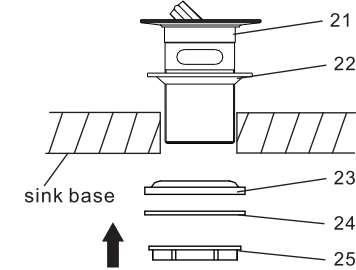


1. Position the faucet and O-ring (#13) on the countertop in the order shown.
2. Attach the faucet to the countertop using the rubber washer (#15), clamp (#16) and locknut (#17), and tighten the locknut (#17) with socket wrench (#27).

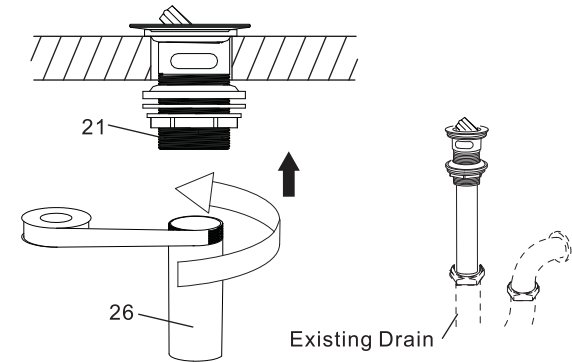
DO NOT OVER TIGHTEN.

3

Installation Instructions



3. Place the drain body (#21) and the top rubber washer (#22) into the top of the drain hole. From underneath the sink install the bottom rubber washer (#23), rubber washer (#24), and lock nut (#25). Tighten the lock nut with a wrench.



4. Apply teflon tape the threads of the tailpiece (#26) and connect it to the drain body (#21). Connect the tailpiece (#26) to the existing drain.