



## LIMITED LIFETIME WARRANTY

Compass Manufacturing International warrants to the original consumer purchaser that the faucet be free from defects in material and workmanship for as long as the original consumer purchaser owns the home in which the faucet was first installed.

In the event that Freendo faucets are used in a Commercial Application, this warranty is limited for a period of 5 years, unless otherwise specifically stated in the catalog and/or price book.

Compass Manufacturing International will replace, free of charge, during the applicable warranty period, any part or finish that proves defective in material and/or workmanship under normal installation, use and service. This warranty shall not apply to goods which have been subject to accidents, negligence or improper installation. Compass Manufacturing International will not be liable for other damages or losses, including, but not limited to: labor charges and/or damages incurred in installation, repair or replacement as well as any other kind of loss or damage. Proof of purchase from the original consumer purchaser must be made available for all warranty claims.

Compass Manufacturing International recommends using a professional plumber for all installation and repair. Compass Manufacturing International will, at its discretion, provide new or equivalent replacement parts for any product that proves to be defective under normal usage and service. Replacement parts may be obtained by emailing the address below, calling the number below or by writing to:

**Compass Manufacturing International**  
Freendo Product Service  
6702 Enterprise Drive  
Louisville, KY 40214  
800.626.3525  
[warranty@cmiproduct.com](mailto:warranty@cmiproduct.com)

Revised 09/19/24

[warranty@cmiproduct.com](mailto:warranty@cmiproduct.com)

© Compass Manufacturing International

800.626.3525



Model No. : 192-6471 Polished Chrome  
192-6472 Brushed Nickel Spotless PVD  
192-7503 Matte Black



**Aegean Single Handle Coil Pull-down  
Kitchen Faucet**



## Helpful Information

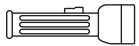
### Helpful Tools

#### Tools:

Gather the necessary tools as shown below to complete the installation of this faucet. Some may not be needed depending on the model of faucet you are installing.



Plumber's Putty  
and/or Silicone



Flashlight



Basin Wrench



Safety Glasses



Screwdriver



Pliers



Channel Locks



Adjustable Wrench

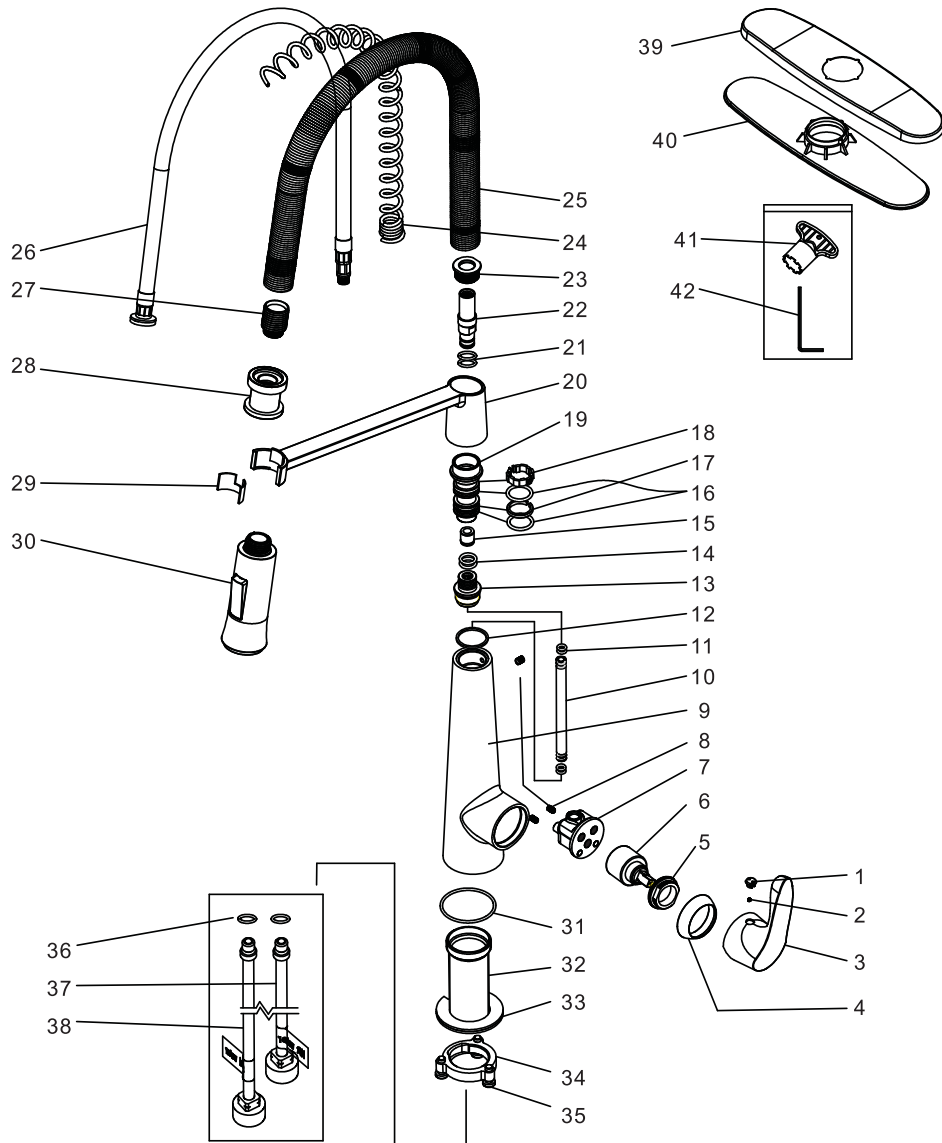
## 5

## Parts List

23	Spring Base		
22	Connector		
21	O-ring		
20	Shower Holder		
19	Fixed Holder	42	Allen Key
18	Cut Rubber Ring	41	Aerator Wrench
17	Metal Washer	40	Gasket
16	O-ring	39	Deck Plate
15	Valve	38	Copper Tube (Hot)
14	O-ring	37	Copper Tube (Cold)
13	Connector	36	O-ring
12	Wearing Ring	35	Screws
11	Converter Pipe	34	Locknut
10	Spring Supportor	33	Clamp
9	Body	32	Shank
8	Screws	31	O-ring
7	Cartridge Base	30	Shower
6	Cartridge	29	Washer
5	Cartridge Locknut	28	Shower Connector
4	Trim Cap	27	Spring Connector
3	Handle	26	Shower Hose
2	Set Screw	25	Spring
1	Index	24	Spring
<b>No.</b>	<b>Part Name</b>	<b>No.</b>	<b>Part Name</b>

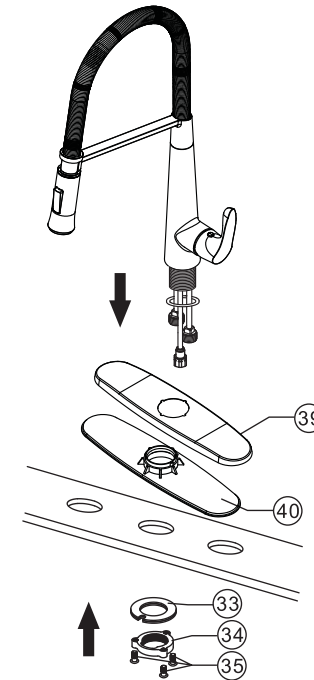
4

## Parts Diagram



1

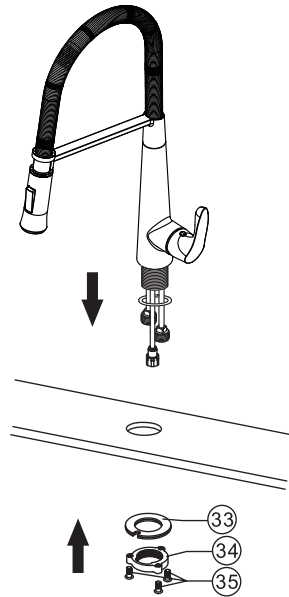
## Install With Deck Plate



1. Assemble deck plate ③⑨ and gasket ④⑩ to faucet.
2. Position faucet on countertop.
3. From underneath the countertop, assemble clamp ③③ and locknut ③④ and screw ③⑤. Tighten the locknut by hand and secure the screws with the screwdriver.

# 2

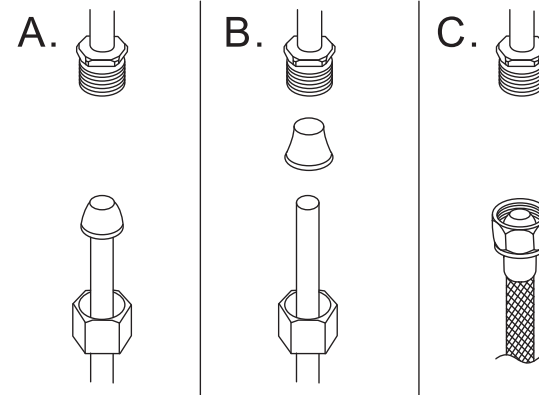
## Install Without Deck Plate



1. Position faucet on countertop.
2. From underneath the countertop, assemble clamp (33) and locknut (34) and screw (35). Tighten the locknut by hand and secure the screws with the screwdriver.

# 3

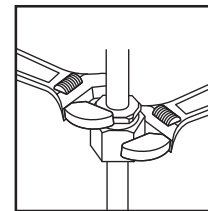
## Configuration



**Warning:**  
The supply valves and supply lines are not included.

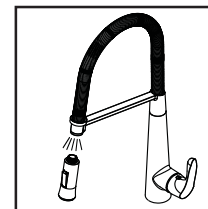
Connect to water supply lines with either:

- (A) 3/8" O.D. Copper tubing (ball nose risers with the coupling nuts or;
- (B) 3/8" Copper tubing (no ball) with supplied tube head interior connector or;
- (C) IPS faucet connectors (1/2" )



### Important:

Tighten connection with two wrenches to prevent damage to tube body. Be careful not to bend the stem as this will void the product warranty.



### Important:

Let both hot and cold water run for one minute. This will help clean any debris that might clog the system.

**Test system for leaks .**