



LIMITED LIFETIME WARRANTY

Compass Manufacturing International warrants to the original consumer purchaser that the faucet be free from defects in material and workmanship for as long as the original consumer purchaser owns the home in which the faucet was first installed.

In the event that Freendo faucets are used in a Commercial Application, this warranty is limited for a period of 5 years, unless otherwise specifically stated in the catalog and/or price book.

Compass Manufacturing International will replace, free of charge, during the applicable warranty period, any part or finish that proves defective in material and/or workmanship under normal installation, use and service. This warranty shall not apply to goods which have been subject to accidents, negligence or improper installation. Compass Manufacturing International will not be liable for other damages or losses, including, but not limited to: labor charges and/or damages incurred in installation, repair or replacement as well as any other kind of loss or damage. Proof of purchase from the original consumer purchaser must be made available for all warranty claims.

Compass Manufacturing International recommends using a professional plumber for all installation and repair. Compass Manufacturing International will, at its discretion, provide new or equivalent replacement parts for any product that proves to be defective under normal usage and service. Replacement parts may be obtained by emailing the address below, calling the number below or by writing to:

Compass Manufacturing International
Freendo Product Service
6702 Enterprise Drive
Louisville, KY 40214
800.626.3525
warranty@cmiproduct.com

Revised 09/19/24

warranty@cmiproduct.com

© Compass Manufacturing International

800.626.3525



Model No. : 192-6434 Polished Chrome
192-6435 Brushed Nickel Spotless PVD
192-6436 Oil-Rubbed Bronze
192-7506 Matte Black



**Aegean Two Handle Bathroom Faucet with
Brass Pop-up
3 Hole Installation , 4" Center-Set**



Helpful Information

Helpful Tools

Tools:

Gather the necessary tools as shown below to complete the installation of this faucet. Some may not be needed depending on the model of faucet you are installing.



Plumber's Putty
and/or Silicone



Flashlight



Basin Wrench



Safety Glasses



Screwdriver



Pliers



Channel Locks



Adjustable Wrench

Maintenance

Your new faucet is designed for years of trouble-free performance. Keep it looking new by cleaning it periodically with a soft, damp cloth. Avoid abrasive cleaners, steel wool and harsh chemicals as these will dull the finish and void your warranty.

Safety Tips

- If you use soldering for the installation of the faucet, the seats, cartridges and washers will have to be removed before using flame. Otherwise, the warranty will be void on these parts.
- Protect your eyes with safety glasses when cutting or soldering water supply line.
- Cover your drain to avoid losing parts.

Important Points

Prior to beginning installation, turn off the cold and hot water lines and turn on the old faucet to release built-up pressure. When installing your new faucet, turn the connector nuts finger tight, then use a wrench to tighten the nut one additional turn. Connections that are too tight can compromise the integrity of the system. Wrap all threaded connections with Teflon tape. Always wrap in a clockwise direction.

5

Troubleshooting

If the instructions were followed carefully and the faucet does not work properly, try these corrective steps.

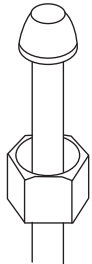
Problem	Cause	Action
Leaks underneath handle (#9).	The lock nut (#10) has come loose or the O-ring on the cartridge (#12 or #13) is dirty or misaligned.	Turn the water supplies off. Turn on the hot and cold handles (#36) to release the pressure, then close the handles (#36). Remove the handle assembly (#9). If the lock nut (#10) is loose tighten it. If the lock nut (#10) is tight, remove the lock nut (#10) and cartridge (#12 or #13). Verify the O-ring is clean and in proper alignment on the cartridge (#12 or #13). If the O-ring is dirty rinse in warm water. Reinstall the O-ring onto the cartridge (#12 or #13). Reinstall the cartridge (#12 or #13), lock nut (#10), and handle assembly (#9). Turn the water supplies on.
Water will not shut off completely.	Dirty or damaged cartridge (#12 or #13).	Turn the water supplies off. Turn on the hot and cold handles (#36) to release the pressure, then close the handles (#36). Remove the handle assembly (#9), lock nut (#10) and cartridge (#12 or #13). Check the ceramic disk for dirt and damage. If the cartridge (#12 or #13) is damaged, replace the cartridge (#12 or #13). If the cartridge (#12 or #13) is dirty, soak in warm white vinegar for 4 hours. Every 30 minutes, while the cartridge (#12 or #13) is completely submerged, turn the stem on and off 10 times. Reinstall the cartridge (#12 or #13), lock nut (#10), handle assembly (#9). Turn the water supplies on.

Have a question? DON'T GO BACK TO THE STORE, WE CAN HELP, just call 1-800-626-3525 ,8 a.m. to 5 p.m. EST Monday-Friday, or send an email to Help@cmiproduct.com.

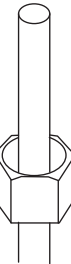
4

Configuration

A. Brazed Underbody



B. Brazed Underbody



C. Brazed Underbody



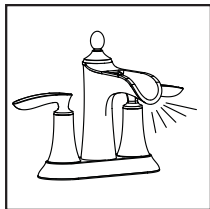
Connect to water supply lines with either:

- (A) 3/8" O.D. Copper tubing (ball nose risers with the coupling nuts or;
- (B) 3/8" Copper tubing (no ball) with supplied tube head interior connector or;
- (C) IPS faucet connectors (1/2")



Warning:

The supply valve and supply lines are not included.



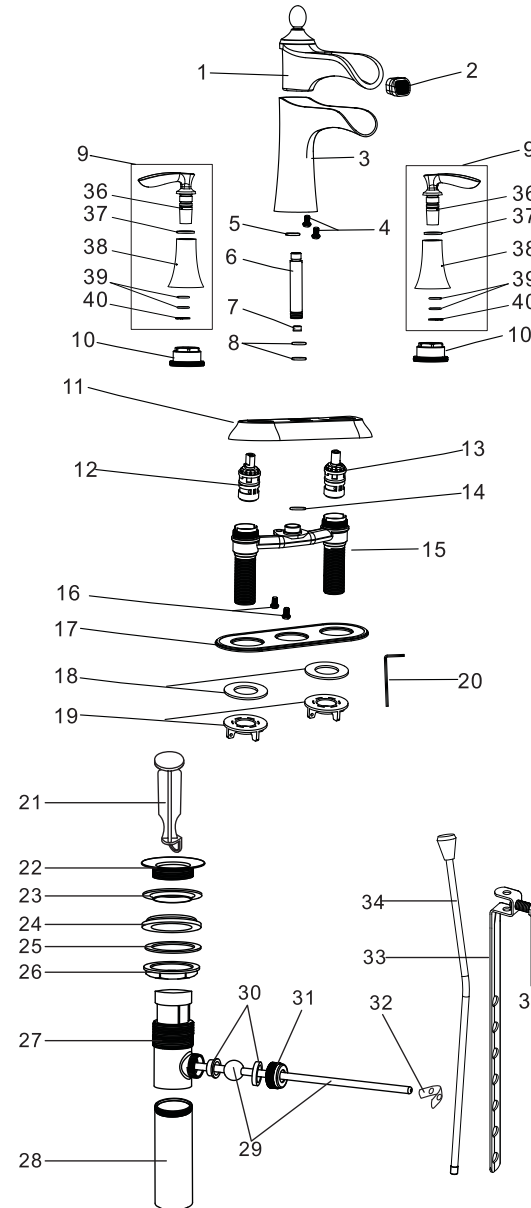
Important:

Let both hot and cold water run for one minute. This will help clean any debris that might clog the system.

Test system for leaks .

1

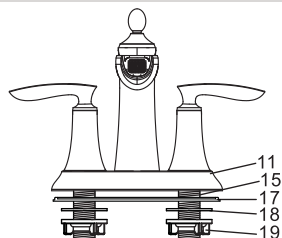
Parts Diagram / List



No.	Part Name
1	Spout
2	Aerator
3	Body
4	Screws
5	O-ring
6	Inlet
7	Flow Restrictor
8	O-rings
9	Handle Assembly
10	Lock Nut
11	Deck Plate
12	Cartridge (Hot)
13	Cartridge (Cold)
14	O-ring
15	Brazed Underbody
16	Screw
17	Gasket
18	Washer
19	Lock Nut
20	Allen Wrench
21	Drain Stopper
22	Flange
23	Top Rubber Washer
24	Bottom Rubber Washer
25	Washer
26	Lock Nut
27	Drain Body
28	Tailpiece
29	Ball Rod
30	Rod Ball Gasket
31	Ball Nut
32	Spring Clip
33	Lift Rod Strap
34	Lift Rod
35	Lift Rod Strap Screw
36	Handle
37	Washer
38	Handle Base
39	O-rings
40	Clamp spring

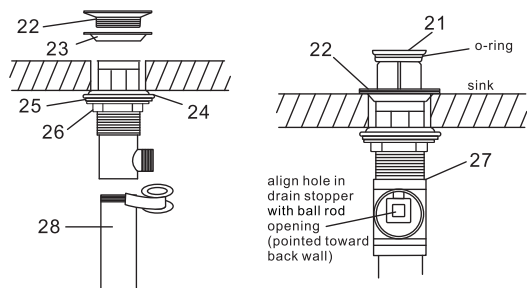
2

Installation Instructions



1. Shut off the water supplies before installation. Remove the current faucet. Clean and dry the surface the new faucet will installed on.
2. Unscrew the lock nut (#19) and washer (#18) from the brazed underbody (#15).
3. Place silicone sealant beneath the gasket (#17) and insert the brazed underbody (#15) through the faucet holes.
4. Screw the lock nut (#19) onto the brazed underbody (#15) hand tight. Do Not over tighten.

Hint: Have someone hold the deck plate (#11) in place while tightening.

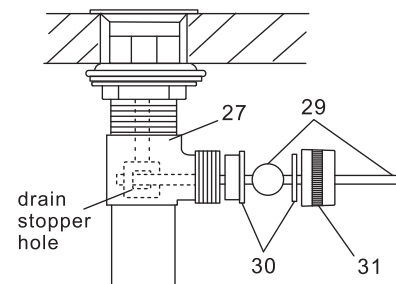


5. Disassemble the drain stopper (#21), flange (#22), and top rubber washer (#23) from the drain assembly.

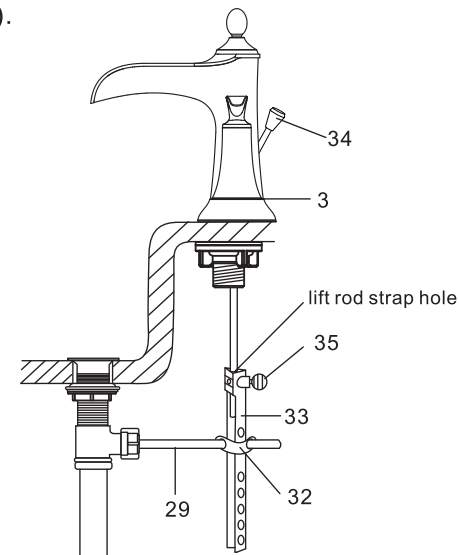
Note: Do NOT install damaged parts. Before installation, verify there is no damage. If damage is found, contact customer service for a replacement.
6. Insert the drain body (#27) into the drain hole from under the sink. From above, reinstall the flange (#22) and top rubber washer (#23) to the drain body (#27) and hand tighten.
7. From under the sink, install the bottom rubber washer (#24), washer (#25) and tighten the lock nut (#26) until firmly against the sink base.
8. Disassemble the tailpiece (#28) from the drain body (#27) and apply Teflon tape clockwise. Reinstall the tailpiece (#28) to the drain body (#27).
9. Reinstall the drain stopper (#21) into the drain body (#27). Ensure o-ring is in place and align the stopper hole with the ball rod opening, as shown.

3

Installation Instructions



10. Remove ball nut (#31) and ball rod gasket (#30) from the ball rod (#29). Insert ball rod (#29) into the drain body (#27) and the hole in the drain stopper (#21). Reinstall the ball rod gasket (#30) and ball nut (#31).



11. Insert the lift rod (#34) through the hole in the body (#3). Connect ball rod (#29) to lift rod strap (#33) using spring clip (#32) to hold and adjust.
12. Attach lift rod strap (#33) to the lift rod (#34) by inserting the lift rod (#34) through the lift rod strap (#33) hole. Adjust the lift rod (#34) to the correct height and hand tighten the lift rod strap screw (#35).