



## LIMITED LIFETIME WARRANTY

Compass Manufacturing International warrants to the original consumer purchaser that the faucet be free from defects in material and workmanship for as long as the original consumer purchaser owns the home in which the faucet was first installed.

In the event that Freendo Faucets are used in a Commercial Application, this warranty is limited for a period of 5 years, unless otherwise specifically stated in the catalog and/or price book.

Compass Manufacturing International will replace, free of charge, during the applicable warranty period, any part or finish that proves defective in material and/or workmanship under normal installation, use and service. This warranty shall not apply to goods which have been subject to accidents, negligence or improper installation. Compass Manufacturing International will not be liable for other damages or losses, including, but not limited to: labor charges and/or damages incurred in installation, repair or replacement as well as any other kind of loss or damage. Proof of purchase from the original consumer purchaser must be made available for all warranty claims.

Compass Manufacturing International recommends using a professional plumber for all installation and repair. Compass Manufacturing International will, at its discretion, provide new or equivalent replacement parts for any product that proves to be defective under normal usage and service. Replacement parts may be obtained by emailing the address below, calling the number below or by writing to:

### Compass Manufacturing International

Freendo Product Service

6702 Enterprise Drive

Louisville, KY 40214

800.626.3525

[warranty@cmiproduct.com](mailto:warranty@cmiproduct.com)

Revised 09/19/24

[warranty@cmiproduct.com](mailto:warranty@cmiproduct.com)

© Compass Manufacturing International

800.626.3525



Model No. : 192-6446 Polished Chrome  
192-6447 Brushed Nickel Spotless PVD™  
192-6448 Oil - Rubbed Bronze  
192-7509 Matte Black



## Aegean - Single Handle Pressure Balanced Tub & Shower Set



## Helpful Information

### Helpful Tools

#### Tools:

Gather the necessary tools as shown below to complete the installation of this faucet. Some may not be needed depending on the model of faucet you are installing.



Plumber's Putty  
and/or Silicone



Flashlight



Basin Wrench



Safety Glasses



Screwdriver



Pliers



Channel Locks



Adjustable Wrench

### Maintenance

Your new faucet is designed for years of trouble-free performance. Keep it looking new by cleaning it periodically with a soft, damp cloth. Avoid abrasive cleaners, steel wool and harsh chemicals as these will dull the finish and void your warranty.

### Safety Tips

- If you use soldering for the installation of the faucet, the seats, cartridges and washers will have to be removed before using flame. Otherwise, the warranty will be void on these parts.
- Protect your eyes with safety glasses when cutting or soldering water supply line.
- Cover your drain to avoid losing parts.

### Important Points

Prior to beginning installation, turn off the cold and hot water lines and turn on the old faucet to release built-up pressure. When installing your new faucet, turn the connector nuts finger tight, then use a wrench to anchor the fitting and a second wrench to tighten the nut one additional turn. Connections that are too tight can compromise the integrity of the system. Wrap all threaded connections with teflon tape. Always wrap in a clockwise direction.

# 8

## Troubleshooting

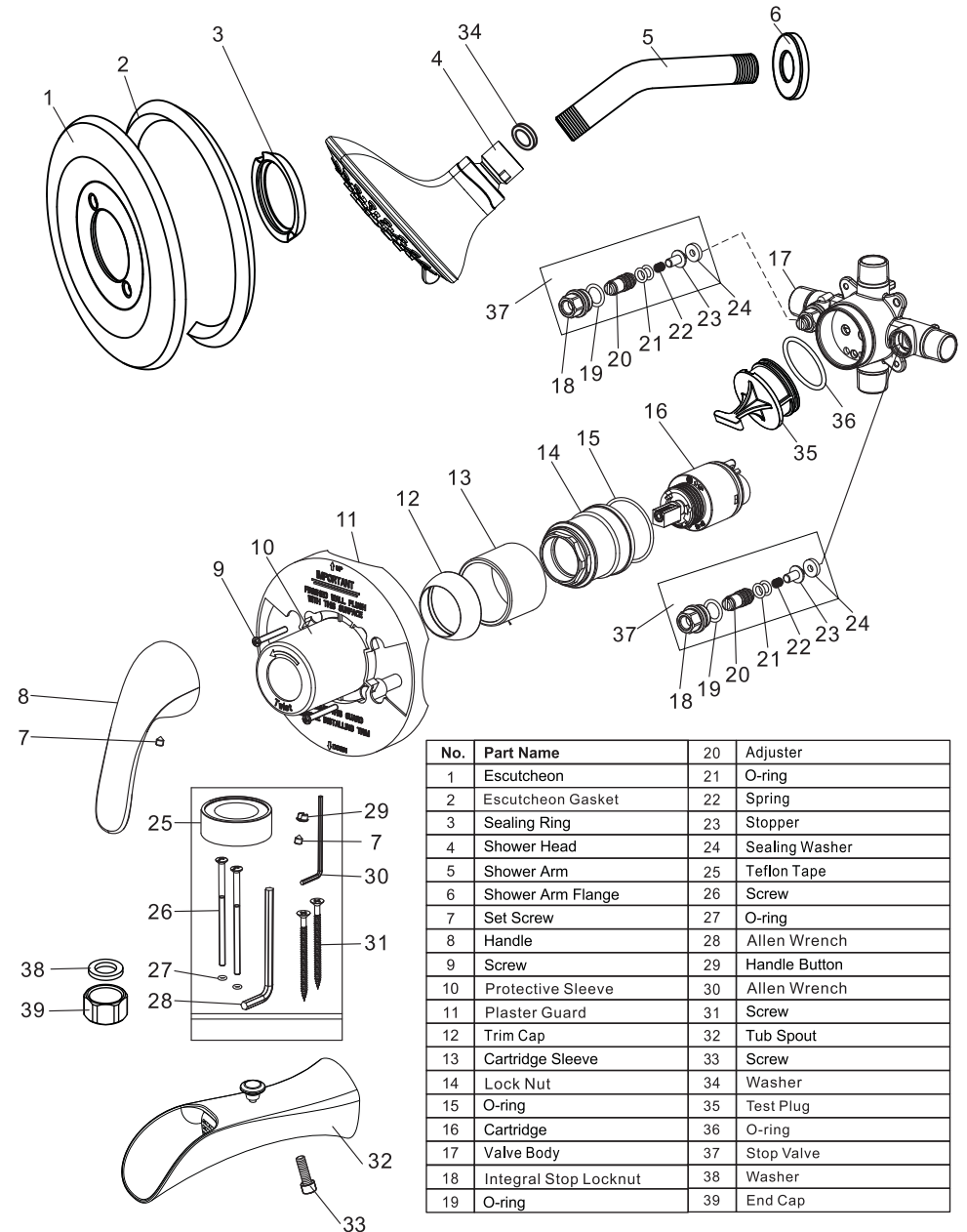
If the instructions were followed carefully and the faucet does not work properly, try these corrective steps.

Problem	Cause	Action
Leaks underneath the handle (#8).	The lock nut (#14) has come loose or the O-ring on the cartridge (#16) is dirty or misaligned.	Turn off the water supplies. Remove the handle (#8), trim cap (#12) and the cartridge sleeve (#13). If the lock nut (#14) is loose tighten it. If the lock nut (#14) is tight, remove the lock nut (#14) and cartridge (#16). Verify the O-ring is clean and in proper alignment on the cartridge (#16). If the O-ring is dirty rinse with warm water. Reinstall the O-ring onto the cartridge (#16). Reinstall the cartridge (#16), lock nut (#14), cartridge sleeve (#13), trim cap (#12) and handle (#8).
The water will not shut off completely.	The rubber valve seat at the base of the pressure balance cartridge (#16) is dirty or broken.	Turn off the water supplies. Remove the handle (#8), trim cap (#12), cartridge sleeve (#13), lock nut (#14) and cartridge (#16). Verify the rubber valve seat is clean and in proper alignment on the cartridge (#16). If the rubber valve seat is dirty soak in warm white vinegar for 30 minutes. Reinstall the rubber valve seat onto the cartridge (#16). Reinstall the cartridge (#16), lock nut (#14), cartridge sleeve (#13), trim cap (#12) and handle (#8). If the rubber valve seat is damaged replace the cartridge (#16).
The water temperature cannot be adjusted or there is no hot or cold water.	The cartridge (#16) is dirty or pressure locked.	Turn off the water supplies. Remove the handle (#8), trim cap (#12), cartridge sleeve (#13), lock nut (#14) and cartridge (#16). Shake the cartridge (#16) and verify the pressure balance spool (located at the bottom of the cartridge (#16)) is moving freely. If the spool is not moving, tap it on your hand until it begins to click. If the cartridge (#16) is dirty, soak it in warm white vinegar for 4 hours. Every 30 minutes, while the cartridge (#16) is submerged in the vinegar, rotate the stem on and off 10 times. Reinstall the cartridge (#16). If the cartridge (#16) is damaged, replace the cartridge (#16).

Have a question? DON'T GO BACK TO THE STORE, WE CAN HELP, just call 1-800-626-3525 , 8 a.m. to 5 p.m. EST Monday-Friday, or send an email to [Help@cmiproduct.com](mailto:Help@cmiproduct.com).

# 1

## Parts Diagram

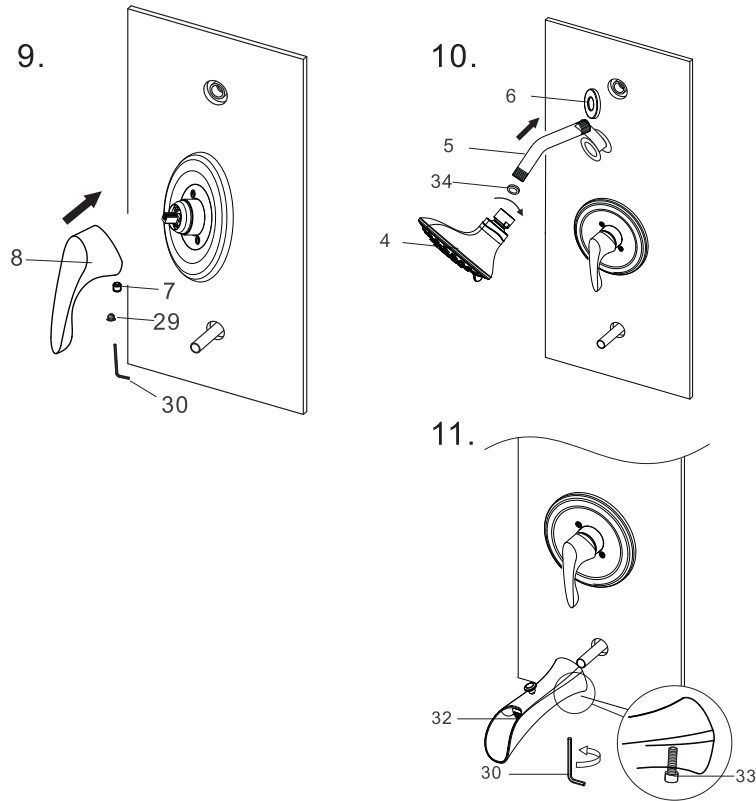


No.	Part Name	20	Adjuster
1	Escutcheon	21	O-ring
2	Escutcheon Gasket	22	Spring
3	Sealing Ring	23	Stopper
4	Shower Head	24	Sealing Washer
5	Shower Arm	25	Teflon Tape
6	Shower Arm Flange	26	Screw
7	Set Screw	27	O-ring
8	Handle	28	Allen Wrench
9	Screw	29	Handle Button
10	Protective Sleeve	30	Allen Wrench
11	Plaster Guard	31	Screw
12	Trim Cap	32	Tub Spout
13	Cartridge Sleeve	33	Screw
14	Lock Nut	34	Washer
15	O-ring	35	Test Plug
16	Cartridge	36	O-ring
17	Valve Body	37	Stop Valve
18	Integral Stop Locknut	38	Washer
19	O-ring	39	End Cap



**6**

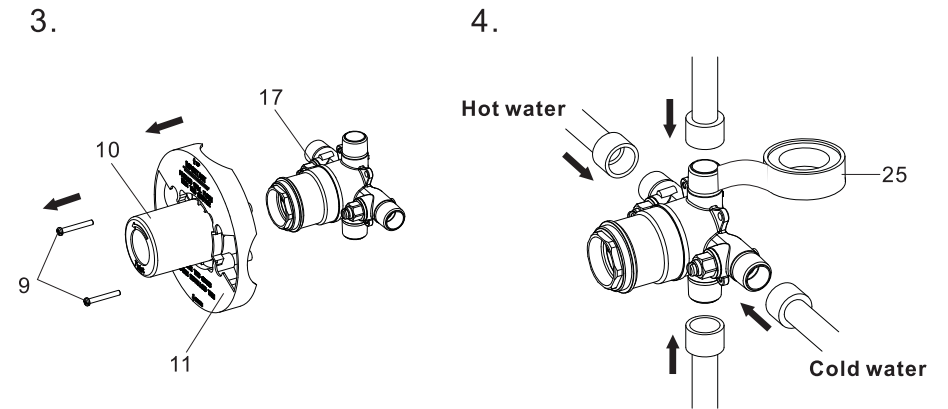
## Faucet Installation



9. Slide the handle (#8) onto the cartridge (#16), then secure with the screw (#7) using the Allen wrench (#30) to tighten. Insert the handle button (#29). See the diagram for a visual.
10. Slide the shower arm flange (#6) onto the longer end of the shower arm (#5). Apply Teflon tape (#25) to both ends of the shower arm (#5). Install the longer end to the shower drop. Ensure the washer (#34) is in place, and install the shower head (#4) onto the shower arm (#5).
11. Slide the spout (#32) over the nipple. Attach the spout (#32) to the nipple with screw (#33), using Allen wrench (#28). See the diagram for a visual.

**3**

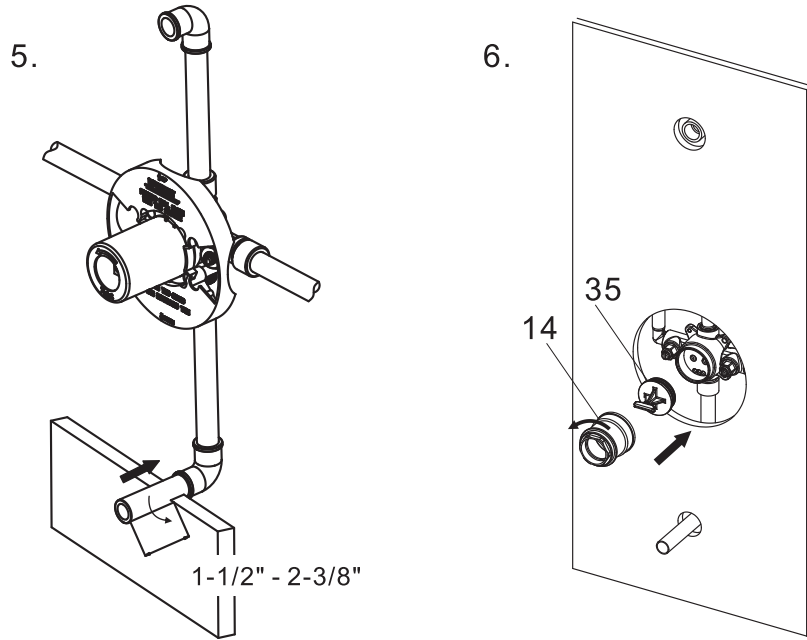
## Faucet Installation



3. Remove the screws (#9), protective sleeve (#10), and plaster guard (#11) as shown. Connect the valve body (#17) to the water supplies per the Uniform Plumbing Code.  
**Note:** If this is not a thin wall mounting, the plaster guard (#11) will not be used.  
**Important:** If sweating in, remove the stop valves (#37) to prevent damage. Replace stop valves (#37) after the valve body (#17) has cooled.
4. Apply Teflon tape (#25) to all pipe threads. Install an elbow at one end of the pipe. Install the other end to the shower diverter (top port of the valve body (#17)). Secure the shower elbow to a 2x4 bracing.  
**Tube Spout Only Installation:** Use the washer (#38) and end cap (#39) to plug the shower port ("UP") on the valve body (#17). Skip steps 4 and 10.  
**Shower Only Installation:** Use the washer (#38) and end cap (#39) to plug the tub spout port ("DOWN") on the valve body (#17). Skip steps 5 and 11.

**4**

## Faucet Installation



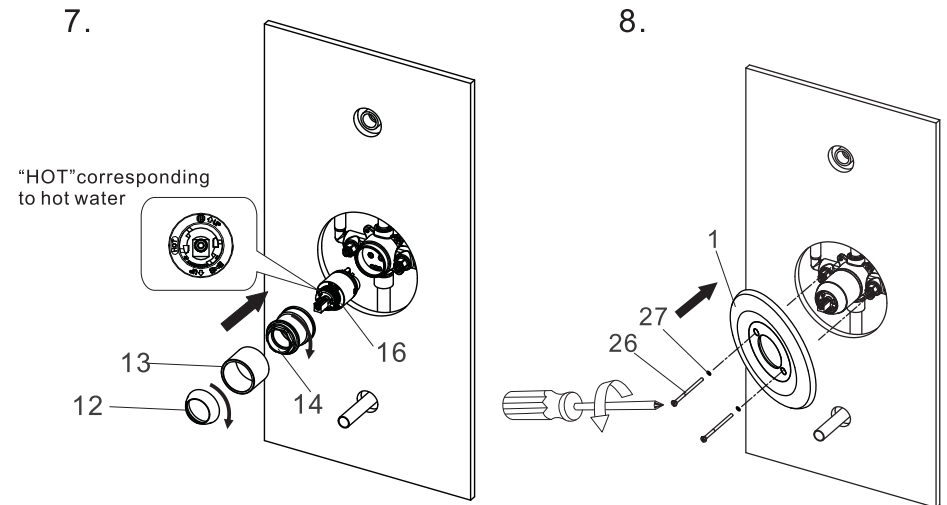
5. Install an elbow at one end of the pipe. Install the other end to the tub spout diverter (bottom port of the valve body (#17)). Install a nipple that will extend 1-1/2" - 2-3/8" from the finished wall.

**Note:** Piping from the tub spout diverter (bottom port of the valve body (#17)) to the tub spout outlet must be either 1/2" nominal copper pipe or 1/2" iron pipe. Do NOT use PEX or PVC for the tub spout drop. Using incorrect piping may cause leakage behind the wall or improper function of the faucet.

6. Insert the test plug (#35) and screw on the lock nut (#14). Turn on both the hot and cold water shut offs and check for leaks. If leaks occur, refer to steps 3, 4, or 5. Turn off the water shut offs.

**5**

## Faucet Installation



7. Remove the lock nut (#14) and test plug (#35). Insert the cartridge (#16) verifying that the arrow and word "UP" is pointing up. Screw on the lock nut (#14) and slide on the cartridge sleeve (#13). If this is a thin wall mounting, reinstall the plaster guard (#11), using screws (#9) to secure.
- Note:** If the desired temperature setting needs to be adjusted see page 7 before completing this step. By default the temperature limiting device is set to the highest temperature.
8. Verify the escutcheon gasket (#2) is attached to the escutcheon (#1). Slide the escutcheon (#1) onto the cartridge sleeve (#13) and secure using the screws (#26) with the O-ring (#27) attached. Screw the trim cap (#12) onto the lock nut (#14).