



LIFETIME LIMITED WARRANTY

Compass Manufacturing International warrants to the original consumer purchaser that the faucet be free from defects in material and workmanship for as long as the original consumer purchaser owns the home in which the faucet was first installed.

In the event that Freendo faucets are used in a Commercial Application, this warranty is limited for a period of 5 years, unless otherwise specifically stated in the catalog and/or price book.

Compass Manufacturing International will replace, free of charge, during the applicable warranty period, any part or finish that proves defective in material and/or workmanship under normal installation, use and service. This warranty shall not apply to goods which have been subject to accidents, negligence or improper installation. Compass Manufacturing International will not be liable for other damages or losses, including, but not limited to: labor charges and/or damages incurred in installation, repair or replacement as well as any other kind of loss or damage. Proof of purchase from the original consumer purchaser must be made available for all warranty claims.

Compass Manufacturing International recommends using a professional plumber for all installation and repair. Compass Manufacturing International will, at its discretion, provide replacement parts for installation by consumer for any parts that prove defective under normal usage and service with new or equivalent parts. Replacement parts may be obtained by emailing the address below, calling the number below or by writing to:

Compass Manufacturing International

Freendo Product Service

6702 Enterprise Drive

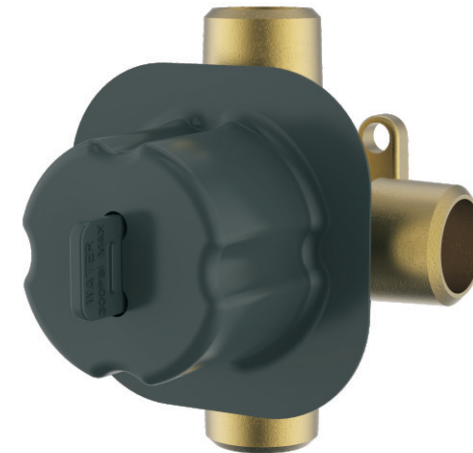
Louisville, KY 40214

800.626.3525

warranty@cmiproduct.com



Model No. : 192-7891



**3 Way Diverter Valve Pack for Tub/
Shower and Shower Only Applications**



Helpful Information

Tools:

Gather the necessary tools as shown below to complete the installation of this faucet. Some may not be needed depending on the model of faucet you are installing.



Plumber's Putty



Flashlight



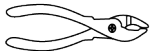
Basin Wrench



Safety Glasses



Screwdriver



Pliers



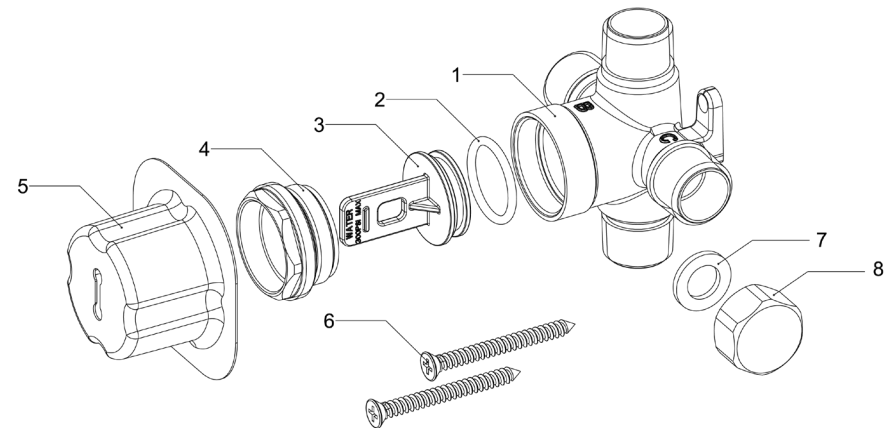
Channel Locks



Adjustable Wrench

4

Parts Diagram

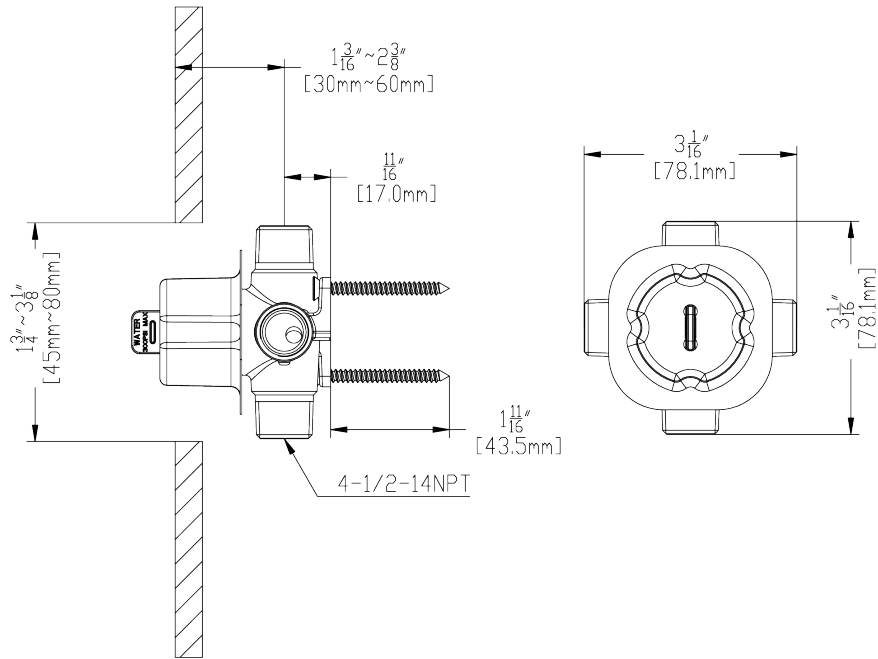


No.	Part Name
1	Valve Body
2	O-ring
3	Rubber Stopper
4	Locknut
5	Protective Sleeve
6	Screws
7	Washer
8	End Cap

Diverter is included with trim kit.

1

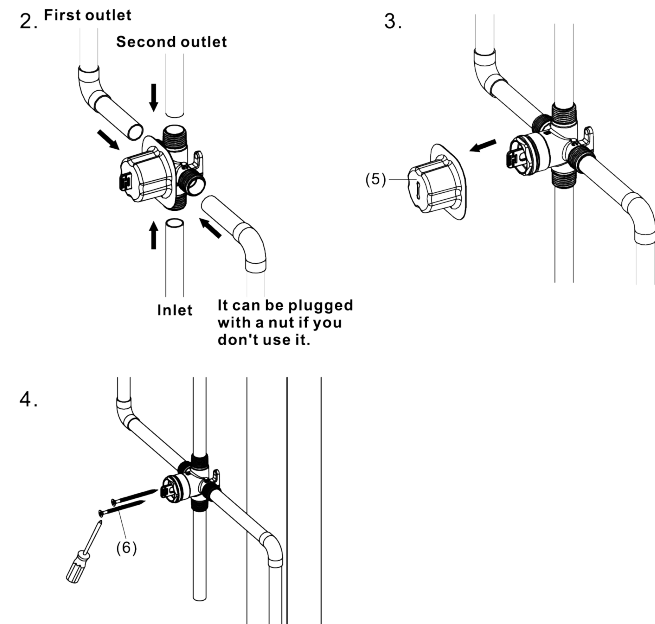
Faucet Installation



1. Select "in" for water inlet direction according to your choice, and the other three ports "A,B,C" for water outlet.

2

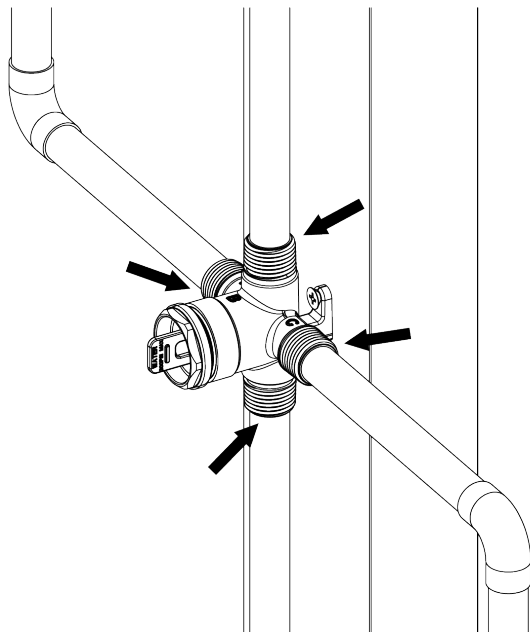
Faucet Installation



2. Connect pipes and the diverter as shown.
3. Remove protective sleeve (5).
4. Tighten the screw (6) to fix the valve body into the wall.

3

Configuration



Turn on water and check for leaks. If there are leaks, please reinstall.