



## LIFETIME LIMITED WARRANTY

Compass Manufacturing International warrants to the original consumer purchaser that the faucet be free from defects in material and workmanship for as long as the original consumer purchaser owns the home in which the faucet was first installed.

In the event that Freendo faucets are used in a Commercial Application, this warranty is limited for a period of 5 years, unless otherwise specifically stated in the catalog and/or price book.

Compass Manufacturing International will replace, free of charge, during the applicable warranty period, any part or finish that proves defective in material and/or workmanship under normal installation, use and service. This warranty shall not apply to goods which have been subject to accidents, negligence or improper installation. Compass Manufacturing International will not be liable for other damages or losses, including, but not limited to: labor charges and/or damages incurred in installation, repair or replacement as well as any other kind of loss or damage. Proof of purchase from the original consumer purchaser must be made available for all warranty claims.

Compass Manufacturing International recommends using a professional plumber for all installation and repair. Compass Manufacturing International will, at its discretion, provide replacement parts for installation by consumer for any parts that prove defective under normal usage and service with new or equivalent parts. Replacement parts may be obtained by emailing the address below, calling the number below or by writing to:

### Compass Manufacturing International

Freendo Product Service

6702 Enterprise Drive

Louisville, KY 40214

800.626.3525

warranty@cmiproduct.com



Model No. : 192-7892 Polished Chrome  
192-7893 Brushed Nickel  
192-7895 Oil-Rubbed Bronze



## Trim Pack for 3 Way Diverter Valve



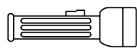
## Helpful Information

### Tools:

Gather the necessary tools as shown below to complete the installation of this faucet. Some may not be needed depending on the model of faucet you are installing.



Plumber's Putty



Flashlight



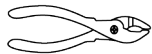
Basin Wrench



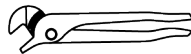
Safety Glasses



Screwdriver



Pliers



Channel Locks



Adjustable Wrench



## Troubleshooting

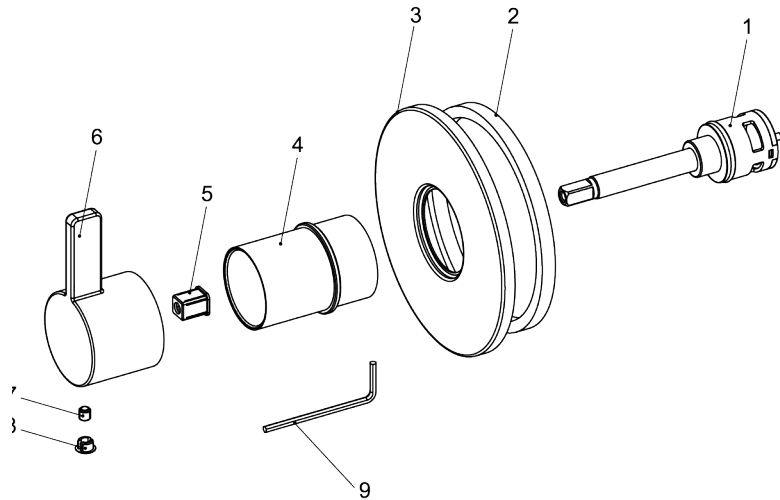
If the instructions were followed carefully and the faucet does not work properly, try these corrective steps.  
**NOTE:** This troubleshooting guide is intended to cover issues that may occur once the valve and trim are installed. Due to this some parts mentioned will be found in the valve pack.

Problem	Cause	Action
Two or three outlets leak at the same time	Diverter (#1) issue	<ol style="list-style-type: none"> <li>1. Turn off water system.</li> <li>2. Remove the hot/cold button and remove the handle by Allen wrench.</li> <li>3. Remove diverter sleeve.</li> <li>4. Remove the escutcheon.</li> <li>5. Remove the locknut using a wrench, remove the diverter, clean around the rubber ring and ceramic piece, check to see if this is defective. Replace the diverter if the ceramic piece is broken. If the diverter is ok, reinstall it using the correct hole location.</li> <li>6. Install the locknut.</li> <li>7. Turn on water system to test if the diverter work normally.</li> <li>8. Install the escutcheon.</li> <li>9. Install diverter sleeve.</li> <li>10. Install handle and hot/cold button.</li> </ol>

Have a question? DON'T GO BACK TO THE STORE, WE CAN HELP!  
Just call 1-800-626-3525, 8 a.m. to 5 p.m. EST Monday-Friday, or send an email to [Help@cmiproduct.com](mailto:Help@cmiproduct.com).

**4**

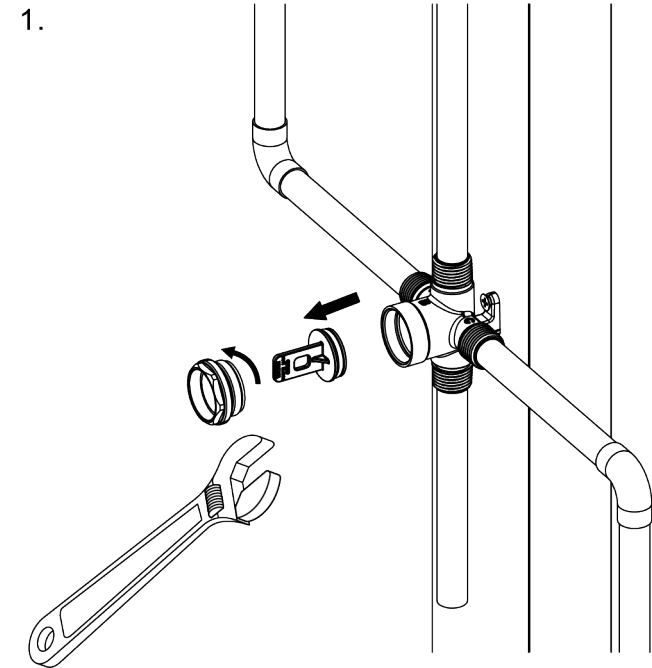
## Parts Diagram



No.	Part Name
1	Diverter
2	Escutcheon
3	Escutcheon Gasket
4	Diverter Sleeve
5	Handle Lever
6	Handle
7	Set Screw
8	Hot/Cold Button
9	Allen Wrench

**1**

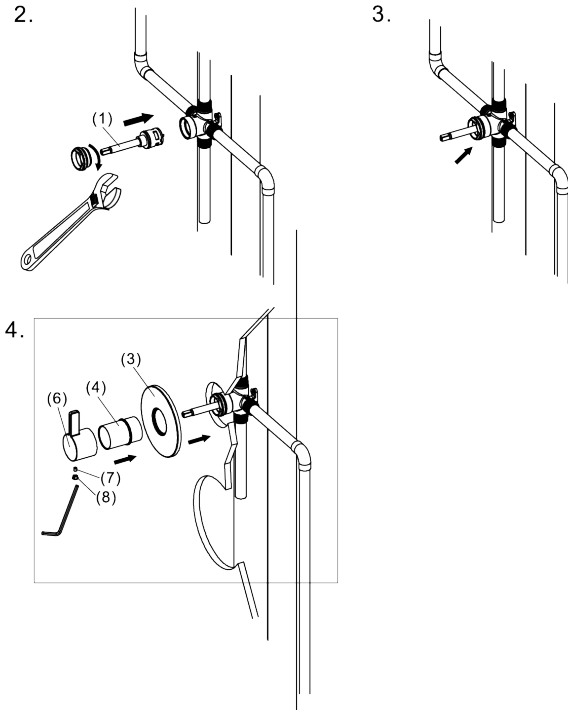
## Faucet Installation



1. Remove the locknut and rubber stopper as shown.  
**Note:** DO NOT DISCARD locknut. This item is used to secure the diverter.

**2**

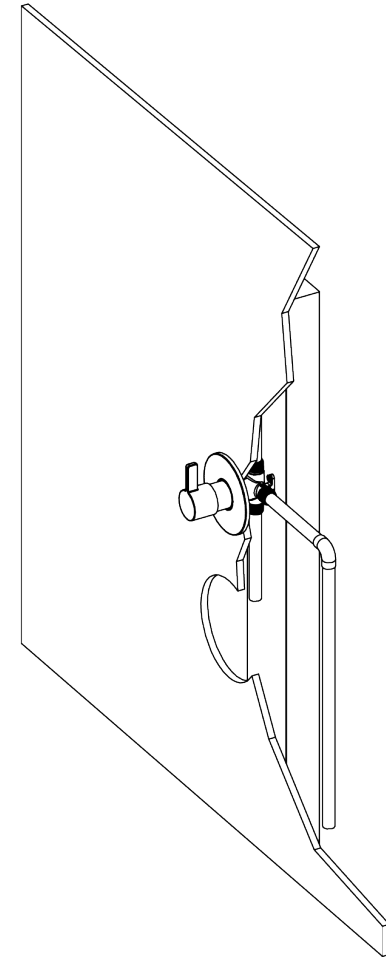
## Faucet Installation



2. Insert the diverter (1) onto the valve body. Screw the trim cap onto the valve body as shown.
3. Turn on water and check for leaks. If there are leaks, please reinstall.
4. Install the escutcheon (3) and secure it using the diverter sleeve (4), and then install the handle (6), set screw (7) and button (8) as shown.

**3**

## Configuration



The installation as complete as shown.