



LIMITED LIFETIME WARRANTY

Compass Manufacturing International warrants to the original consumer purchaser that the faucet be free from defects in material and workmanship for as long as the original consumer purchaser owns the home in which the faucet was first installed.

In the event that Freendo Faucets are used in a Commercial Application, this warranty is limited for a period of 5 years, unless otherwise specifically stated in the catalog and/or price book.

Compass Manufacturing International will replace, free of charge, during the applicable warranty period, any part or finish that proves defective in material and/or workmanship under normal installation, use and service. This warranty shall not apply to goods which have been subject to accidents, negligence or improper installation. Compass Manufacturing International will not be liable for other damages or losses, including, but not limited to: labor charges and/or damages incurred in installation, repair or replacement as well as any other kind of loss or damage. Proof of purchase from the original consumer purchaser must be made available for all warranty claims.

Compass Manufacturing International recommends using a professional plumber for all installation and repair. Compass Manufacturing International will, at its discretion, provide new or equivalent replacement parts for any product that proves to be defective under normal usage and service. Replacement parts may be obtained by emailing the address below, calling the number below or by writing to:

Compass Manufacturing International
Freendo Product Service
6702 Enterprise Drive
Louisville, KY 40214
800.626.3525
warranty@cmiproduct.com

Revised 09/19/24

warranty@cmiproduct.com

© Compass Manufacturing International

800.626.3525



Model No. : 192-6941 Polished Chrome
192-6942 Brushed Nickel Spotless PVD
192-8066 Matte Black



Cardania Single Handle Floor Mount Faucet



Helpful Information

Helpful Tools

Tools:

Gather the necessary tools as shown below to complete the installation of this faucet. Some may not be needed depending on the model of faucet you are installing.



Plumber's Putty
and/or Silicone



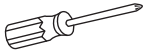
Flashlight



Basin Wrench



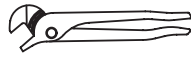
Safety Glasses



Screwdriver



Pliers



Channel Locks



Adjustable Wrench



Level

Maintenance

Your new faucet is designed for years of trouble-free performance. Keep it looking new by cleaning it periodically with a soft, damp cloth. Avoid abrasive cleaners, steel wool and harsh chemicals as these will dull the finish and void your warranty.

Safety Tips

- If you use soldering for the installation of the faucet, the seats, cartridges and washers will have to be removed before using flame. Otherwise, the warranty will be void on these parts.
- Protect your eyes with safety glasses when cutting or soldering water supply line.
- Cover your drain to avoid losing parts.

Important Points

Prior to beginning installation, turn off the cold and hot water lines and turn on the old faucet to release built-up pressure. When installing your new faucet, turn the connector nuts finger tight, then use a wrench to anchor the fitting and a second wrench to tighten the nut one additional turn. Connections that are too tight can compromise the integrity of the system. Wrap all threaded connections with teflon tape. Always wrap in a clockwise direction.

5

Troubleshooting

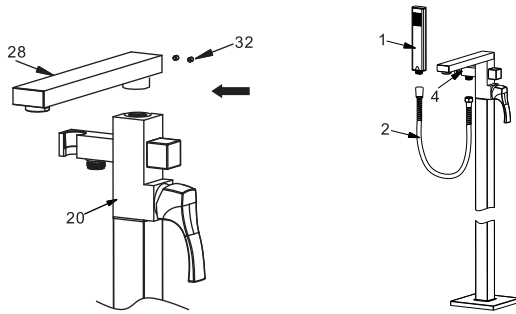
If the instructions were followed carefully and the faucet does not work properly, try these corrective steps.

Problem	Cause	Action
Leaks underneath handle.	Lock nut (#41) has come loose.	Tighten the lock nut (#41).
Water will not shut off completely.	Dirty or damaged cartridge (#40).	Remove the handle (#45) and the cartridge (#40). Check for dirt and damage. If the cartridge (#40) is dirty, soak it in white vinegar for 4 hours. Every 30 minutes while the cartridge is completely submerged turn the stem on and off 10 times. Reinstall or replace the cartridge (#40).
Aerator leaks or has an inconsistent water flow pattern.	Aerator assembly (#53) is dirty or misaligned.	Unscrew the aerator assembly (#53) to check rubber packing or replace the aerator assembly (#53).
Leaks underneath the diverter wheel (#36).	Damaged or loose diverter (#33).	Remove the diverter wheel (#36) and wearing ring (#35). If the diverter (#33) is loose, tighten it. If the diverter (#33) is tight, remove the diverter (#33) and inspect it for damage. If the diverter (#33) is damaged, replace it. Reinstall the diverter (#33), wearing ring (#35), and diverter wheel (#36).

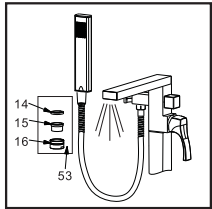
Have a question? DON'T GO BACK TO THE STORE, WE CAN HELP, just call 1-800-626-3525 ,8 a.m. to 5 p.m. EST Monday-Friday, or send an email to Help@cmiproduct.com.

4

Installation Instructions



6. Attach the spout (#28) to the body (#20) with the screws (#32). Attach the hose (#2) into the shower holder (#4) and the hand-held shower (#1).



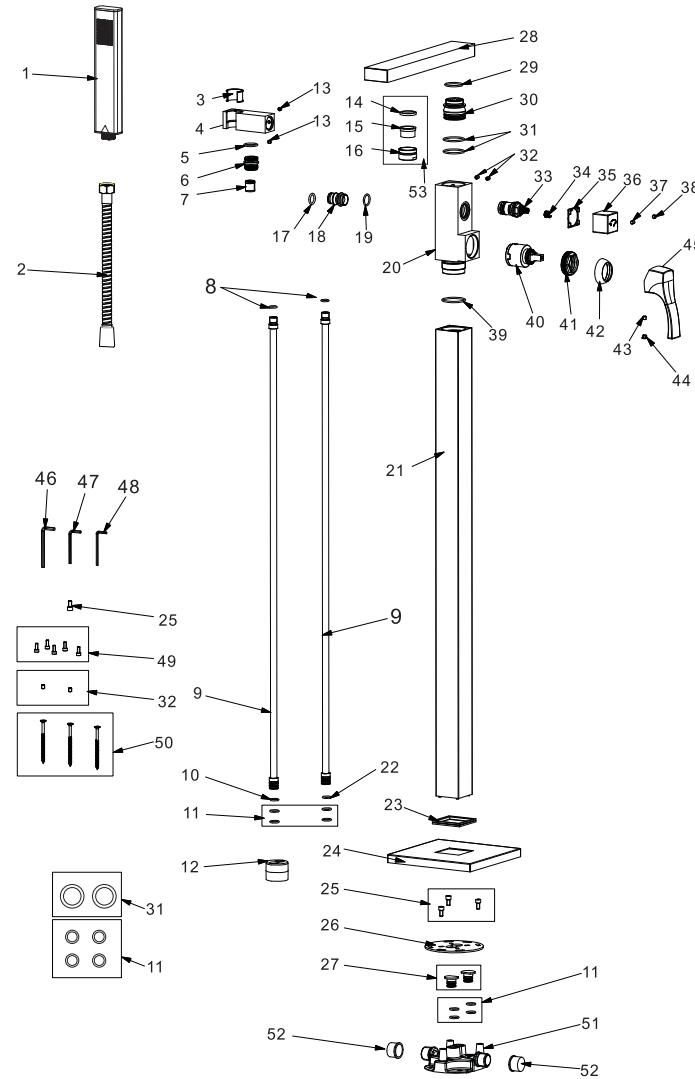
Important:

Remove the aerator assembly (#53). Turn on the hot and cold water for one minute. This will flush any debris from the lines that might clog the system. Turn off the water and re-install the aerator assembly (#53).

Test system for leaks.

1

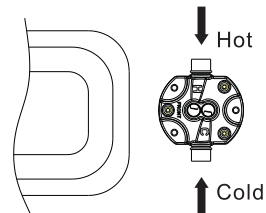
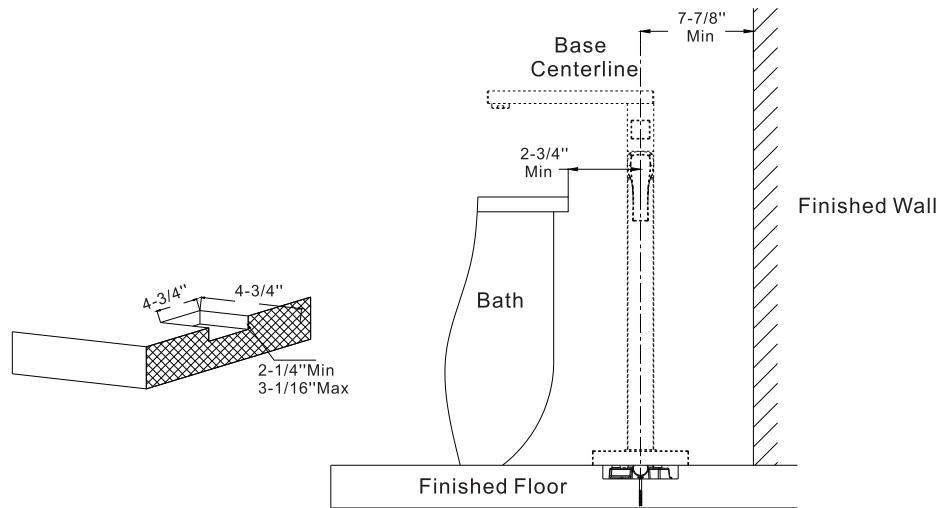
Parts Diagram / List



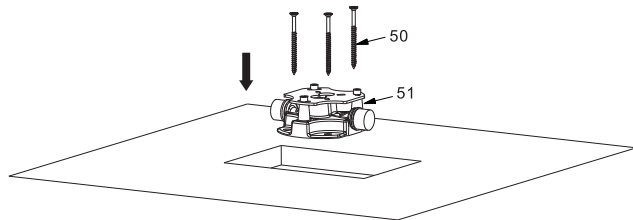
No.	Part Name
1	Hand-held Shower
2	Hose
3	Hand-held Shower Protector
4	Shower Holder
5	O-ring
6	Connector
7	Restrictor
8	O-ring
9	Water Supply Tube
10	O-ring (Red)
11	O-ring
12	Rubber Plug
13	Screw
14	O-ring
15	Aerator
16	Aerator Cover
17	O-ring
18	Connector
19	O-ring
20	Cartridge Body
21	Body
22	O-ring (Blue)
23	Silicone Sleeve
24	Floor Escutcheon
25	Valve Screws
26	Mounting Plate
27	Stopper
28	Spout
29	O-ring
30	Spout Connector
31	O-ring
32	Spout Mounting Screws
33	Diverter
34	Handle Stem
35	Wearing Ring
36	Diverter Wheel
37	Diverter Wheel Screw
38	Handle Button
39	O-ring
40	Cartridge
41	Lock Nut
42	Trim Cap
43	Set Screw
44	Handle Button
45	Handle
46	Large Allen Wrench
47	Medium Allen Wrench
48	Small Allen Wrench
49	Mounting Plate Screws
50	Valve Mounting Screws
51	Valve
52	Tube Protector
53	Aerator Assembly

2

Installation Instructions

**Top View**

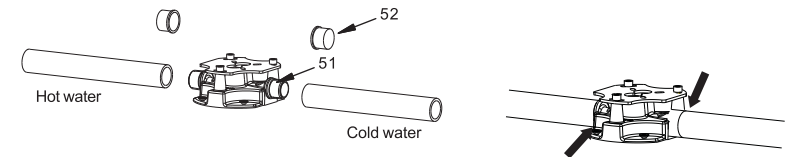
1. Shut off the water supplies before installation. Cut a hole 4-3/4" x 4-3/4" x (2-1/4"-3-1/16") in the sub floor as shown.



2. Align the valve (#51) in the correct position based on the dimensions shown above. Verify the cold supply notch is in the correct position, as shown above. Attach the valve (#51) to the support, using the valve mounting screws (#50) until snug. Use a level to verify the valve (#51) is level, then tighten the valve mounting screws (#50).

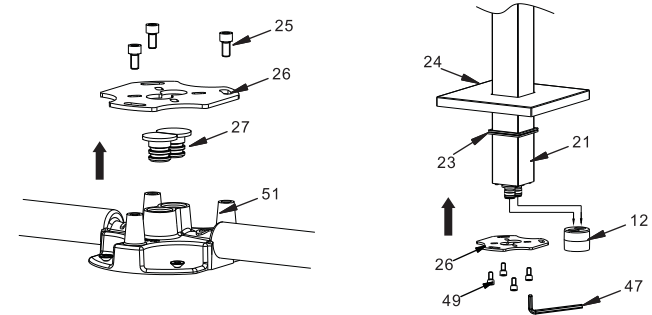
3

Installation Instructions

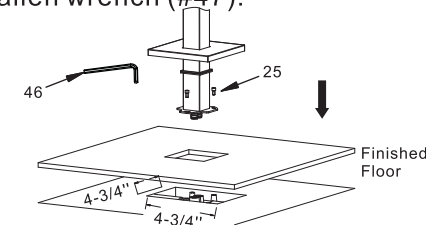


3. Remove the tube protector (#52) from the valve (#51). Apply teflon tape to all pipe threads. Refer to the Universal Plumbing Code to connect the water supply lines to the valve (#51). Verify the stoppers (#27) and mounting plate (#26) are secured to the valve (#51). Turn on the water supplies and check for leaks.

Note: It is recommended that PEX or Copper is used for the supply lines.



4. Remove the screws (#25), secured sheet (#26), and the stopper (#27) from the base (#51). Remove the rubber plug (#12) from the tube (#21). Install the floor plate (#24) and silicone sleeve (#23) onto the tube (#21). Attach the secured sheet (#26) to the tube (#21) with screws (#49), using the medium allen wrench (#47).



5. Make sure the base (#51) is free and clear of dirt and debris. Slide the tube (#21) onto the base (#51) and insert the screws (#25) through the secured sheet (#26) into the base (#51), using the large allen wrench (#46). See diagram for visual.