



## LIMITED LIFETIME WARRANTY

Compass Manufacturing International warrants to the original consumer purchaser that the faucet be free from defects in material and workmanship for as long as the original consumer purchaser owns the home in which the faucet was first installed.

In the event that Freendo Faucets are used in a Commercial Application, this warranty is limited for a period of 5 years, unless otherwise specifically stated in the catalog and/or price book.

Compass Manufacturing International will replace, free of charge, during the applicable warranty period, any part or finish that proves defective in material and/or workmanship under normal installation, use and service. This warranty shall not apply to goods which have been subject to accidents, negligence or improper installation. Compass Manufacturing International will not be liable for other damages or losses, including, but not limited to: labor charges and/or damages incurred in installation, repair or replacement as well as any other kind of loss or damage. Proof of purchase from the original consumer purchaser must be made available for all warranty claims.

Compass Manufacturing International recommends using a professional plumber for all installation and repair. Compass Manufacturing International will, at its discretion, provide new or equivalent replacement parts for any product that proves to be defective under normal usage and service. Replacement parts may be obtained by emailing the address or calling the number below:

### Compass Manufacturing International

Freendo Product Service  
6702 Enterprise Drive  
Louisville, KY 40214  
800.626.3525

[warranty@cmiproduct.com](mailto:warranty@cmiproduct.com)

Revised 04/09/24

[warranty@cmiproduct.com](mailto:warranty@cmiproduct.com)

© Compass Manufacturing International

800.626.3525



Model No. : 192-8144 Polished Chrome  
192-8145 Brushed Nickel Spotless PVD™  
192-8146 Oil-Rubbed Bronze



## Noble Single Handle High Arc Bathroom Faucet with Pop-up Drain

Single or 3 Hole Installation



## Helpful Information

### Tools:

Gather the necessary tools as shown below to complete the installation of this faucet. Some may not be needed depending on the model of faucet you are installing.



Plumber's Putty  
and/or Silicone



Flashlight



Basin Wrench



Safety Glasses



Screwdriver



Pliers



Channel Locks



Adjustable Wrench

## Maintenance

- Your new faucet is designed for years of trouble-free performance.
- Keep it looking new by cleaning it periodically with a soft, damp cloth.
- Avoid abrasive cleaners, steel wool and harsh chemicals as these will dull the finish and void your warranty.

## Safety Tips

- If you use solder for the installation of this faucet, please remove the seats, cartridges and washers before soldering. Otherwise the warranty will be voided on these parts.
- Protect your eyes with safety glasses when cutting or soldering water supply line.
- Cover your drain to avoid losing parts.

## Important Points

- Prior to beginning installation, turn off the cold and hot water lines and turn on the old faucet to release built-up pressure.
- When installing your new faucet, turn the connector nuts finger tight, then use a wrench to anchor the fitting and a second wrench to tighten the nut one additional turn. Connections that are too tight can compromise the integrity of the system.
- Wrap all threaded connections with Teflon tape. Always wrap in a clockwise direction.

## 5

## Troubleshooting

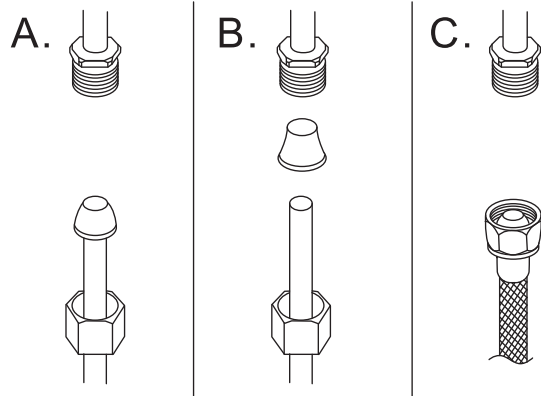
If the instructions were followed carefully and the faucet does not work properly, try these corrective steps.

Problem	Cause	Action
Leaks underneath handle (#1).	Lock nut (#5) has come loose.	Remove the index (#3), set screw (#2), handle (#1) and trim cap (#4). If the lock nut (#5) is loose, tighten it.
Water will not shut off completely.	Dirty or damaged cartridge (#6).	Remove the index (#3), set screw (#2), handle (#1), trim cap (#4), lock nut (#5) and cartridge (#6). Check the ceramic disk for dirt and damage. Replace the cartridge (#6) if damaged. If the cartridge (#6) is dirty, soak it in warm white vinegar for 4 hours. Every 30 minutes, while the cartridge (#6) is completely submerged, turn the stem on off 10 times. Reinstall the cartridge (#6), lock nut (#5), trim cap (#4), handle (#1), set screw (#2) and index (#3).
The aerator assembly (#32) leaks or has an inconsistent water flow pattern.	Aerator assembly (#32) is dirty or misaligned.	Remove the aerator assembly (#32) by hand and check the washer (#13). If the washer (#13) is misaligned, realign the washer (#13) and reinstall. If the aerator assembly (#32) is dirty, soak it in warm white vinegar for 30 minutes. Reinstall or replace the aerator assembly (#32).

Have a question? DON'T GO BACK TO THE STORE, WE CAN HELP, just call 1-800-626-3525, 8 a.m. to 5 p.m. EST Monday-Friday, or send an email to [Help@cmiproduct.com](mailto:Help@cmiproduct.com).

# 4

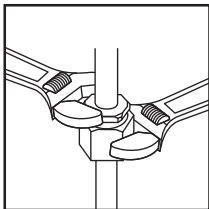
## Configuration



**Warning:**  
The supply valves and supply lines are not included.

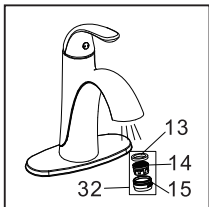
Connect to water supply lines with either:

- (A) 3/8" O.D. Copper tubing (ball nose risers with the coupling nuts);
- (B) 3/8" Copper tubing (no ball) with supplied tube head interior connector or;
- (C) IPS faucet connectors (1/2")



**Important:**

Tighten connection with two wrenches to prevent damage to tube body. Be careful not to bend the stem as this will void the product warranty.



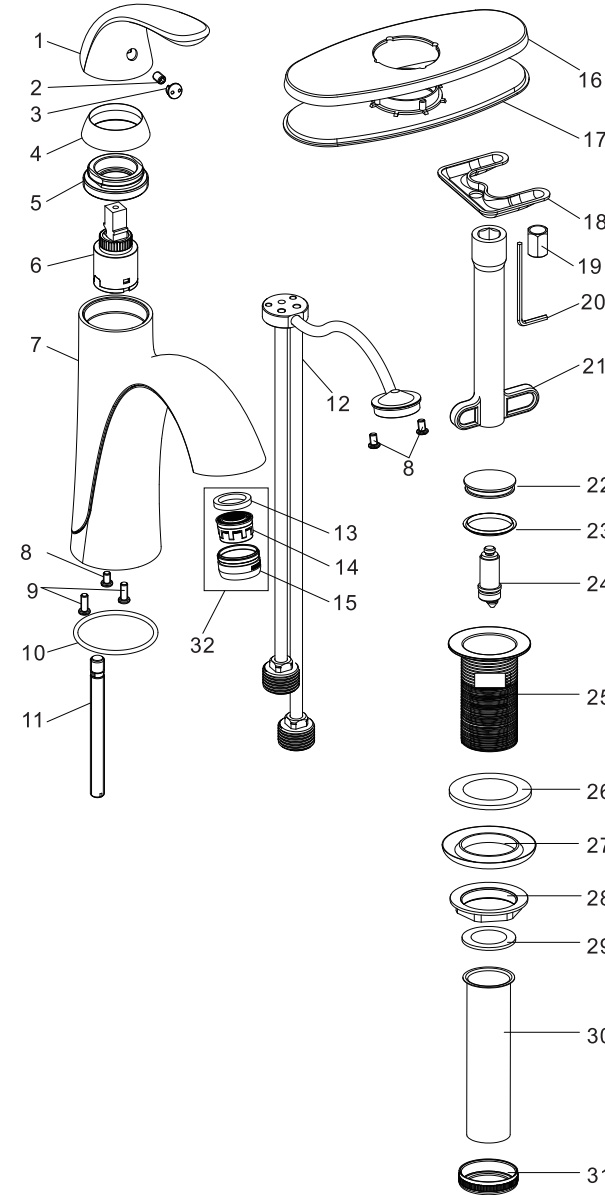
**Important:**

Remove the aerator assembly (#32). Turn on the hot and cold water for one minute. This will flush any debris from the lines that might clog the system. Turn off the water and reinstall the aerator assembly (#32).

**Test system for leaks.**

# 1

## Parts Diagram / List

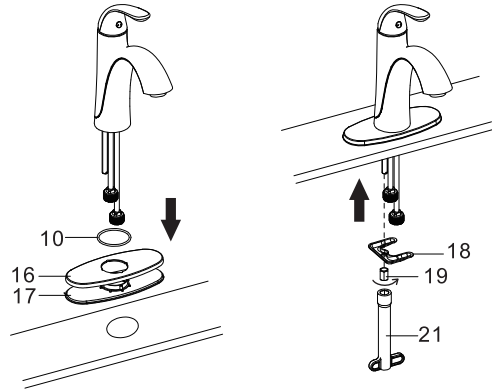


No.	Part Name
1	Handle
2	Set Screw
3	Index
4	Trim Cap
5	Lock Nut
6	Cartridge
7	Body
8	Screws
9	Screws
10	O-ring
11	Mounting Bolt
12	Waterway
13	Washer
14	Aerator
15	Aerator Collar
16	Deck Plate
17	Gasket
18	Clamp
19	Lock Nut
20	Allen Wench
21	Socket Wrench
22	Cover
23	Washer
24	Stopper Core
25	Stopper Housing
26	Top Rubber Washer
27	Bottom Rubber Washer
28	Lock Nut
29	Washer
30	Outlet Pipe
31	Nut
32	Aerator Assembly

## 2

### Installation Instructions

#### Deck Plate Installation

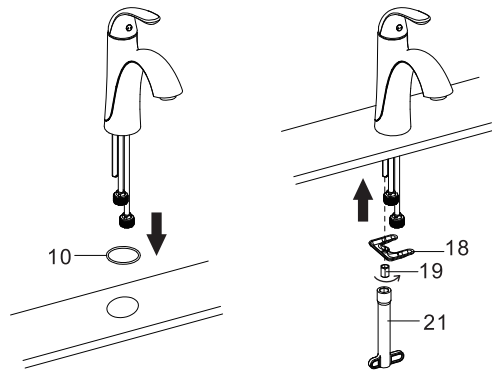


1. Position the faucet, o-ring (#10), deck plate (#16) and gasket (#17) on the countertop in order as shown.
2. From under the sink, attach the faucet to the countertop with the clamp (#18) and lock nut (#19), using the socket wrench (#21).

**DO NOT OVER TIGHTEN.**

Add silicone sealant under the gasket (#17) to prevent leaks. (Optional)

#### Single Hole Installation



1. Position the faucet, o-ring (#10) in the order shown.
2. Attach the faucet to the countertop with the clamp (#18) and lock nut (#19), using the socket wrench (#21). **DO NOT OVER TIGHTEN.**

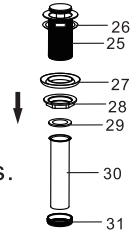
## 3

### Pop-up Installation

Instruction for product with drain option only

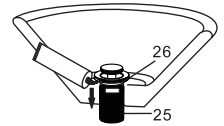
1. Disassemble the drain assembly by removing the nut (#31), outlet pipe (#30), washer (#29), lock nut (#28) and bottom rubber washer (#27).

**Note:** Before installation, verify there is no damage to the drain. If there is damage, please call customer service for a replacement. Do NOT install damaged parts.

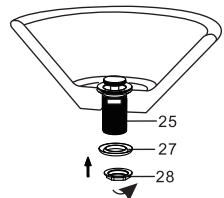


2. Remove the old drain assembly. Clean the surface to remove the old adhesive and dirt before installing the new drain. Dry the area thoroughly.

3. Place a ring of silicone sealant around the top rubber washer (#26) on the stopper housing (#25) or the drain opening of the sink. Insert the stopper housing (#25) into the drain hole from the top.



4. From underneath the sink, slide the bottom rubber washer (#27) onto the stopper housing (#25), then screw on the lock nut (#28) hand tight. Do NOT over tighten. See the diagram for a visual.



5. Slide the nut (#31) over the outlet pipe (#30) and insert the washer (#29) onto the outlet pipe (#30). Screw the nut (#31) onto the stopper housing (#25) hand tight. Do NOT over tighten.

**Note:** The outlet pipe (#30) connects to the p-trap drain. Refer to the installation instructions for the p-trap drain for more information on how to connect the outlet pipe (#30) to the p-trap drain.

