



LIMITED LIFETIME WARRANTY

Compass Manufacturing International warrants to the original consumer purchaser that the faucet be free from defects in material and workmanship for as long as the original consumer purchaser owns the home in which the faucet was first installed.

In the event that Freendo faucets are used in a Commercial Application, this warranty is limited for a period of 5 years, unless otherwise specifically stated in the catalog and/or price book.

Compass Manufacturing International will replace, free of charge, during the applicable warranty period, any part or finish that proves defective in material and/or workmanship under normal installation, use and service. This warranty shall not apply to goods which have been subject to accidents, negligence or improper installation. Compass Manufacturing International will not be liable for other damages or losses, including, but not limited to: labor charges and/or damages incurred in installation, repair or replacement as well as any other kind of loss or damage. Proof of purchase from the original consumer purchaser must be made available for all warranty claims.

Compass Manufacturing International recommends using a professional plumber for all installation and repair. Compass Manufacturing International will, at its discretion, provide new or equivalent replacement parts for any product that proves to be defective under normal usage and service. Replacement parts may be obtained by emailing the address below, calling the number below or by writing to:

Compass Manufacturing International

Freendo Product Service

6702 Enterprise Drive

Louisville, KY 40214

800.626.3525

warranty@cmiproduct.com

Revised 10/03/24

warranty@cmiproduct.com

© Compass Manufacturing International

800.626.3525



Model No. : 192-8311 Polished Chrome
192-8312 Brushed Nickel *Spotless PVD™*



Noble Series
Wide Spread Bathroom Faucet with Pre-
mium Grade Brass Push Type Pop-Up
Drain with Overflow Included
3 Hole Installation



Helpful Information

Tools:

Gather the necessary tools as shown below to complete the installation of this faucet. Some may not be needed depending on the model of faucet you are installing.



Plumber's Putty
and/or Silicone



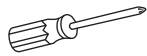
Flashlight



Basin Wrench



Safety Glasses



Screwdriver



Pliers



Channel Locks



Adjustable Wrench

Maintenance

Your new faucet is designed for years of trouble-free performance. Keep it looking new by cleaning it periodically with a soft, damp cloth. Avoid abrasive cleaners, steel wool and harsh chemicals as these will dull the finish and void your warranty.

Safety Tips

- If you use solder for the installation of this faucet, remove the seats, cartridges and washers before soldering. Otherwise the warranty will be voided on these parts.
- Protect your eyes with safety glasses when cutting or soldering water supply line.
- Cover your drain to avoid losing parts.

Important Points

Prior to beginning installation, turn off the cold and hot water lines and turn on the old faucet to release built-up pressure. When installing your new faucet, turn the connector nuts finger tight, then use a wrench to anchor the fitting and a second wrench to tighten the nut one additional turn. Connections that are too tight can compromise the integrity of the system. Wrap all threaded connections with Teflon tape. Always wrap in a clockwise direction.

5

Troubleshooting

If the instructions were followed carefully and the faucet does not work properly, try these corrective steps.

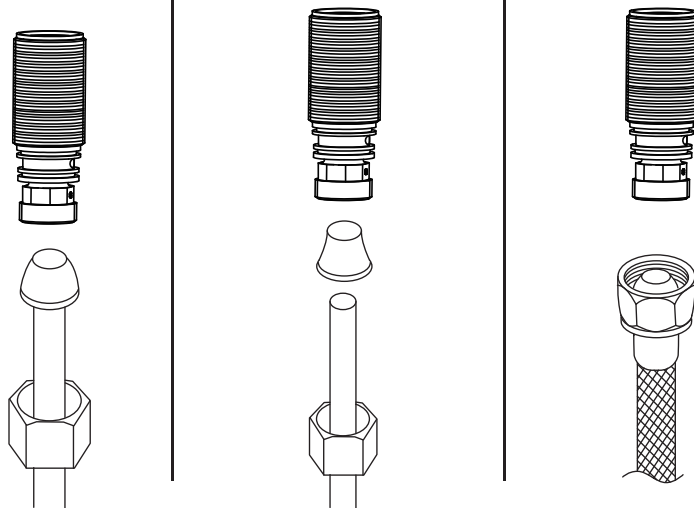
Problem	Cause	Action
Leaks underneath the handles (#1).	Cartridge (#7 or #20) has come loose.	Turn off the water supplies. Turn on the handles (#1) to release the pressure, then close the handles (#1). Remove the handle button (#2 or #19), set screws (#3) and handles (#1). Tighten the cartridge (#7 or #20) if loose or replace the cartridge (#7 or #20). Reinstall the handles (#1), set screws (#3) and handle button (#2 or #19). Turn the water supplies on.
The water will not shut off completely.	Dirty or damaged cartridge (#7 or #20).	Turn off the water supplies. Turn on the handles (#1) to release the pressure, then close the handles (#1). Remove the handle button (#2 or #19), set screws (#3), handles (#1) and cartridge (#7 or #20). Check the ceramic disk for dirt and damage. If the cartridge (#7 or #20) is damaged, replace the cartridge (#7 or #20). If the cartridge (#7 or #20) is dirty, soak it in warm white vinegar for 4 hours. Every 30 minutes, while the cartridge (#7 or #20) is completely submerged, turn the stem on and off 10 times. Reinstall the cartridge (#7 or #20), handles (#1) set screws (#3) and handle button (#2 or #19). Turn the water supplies on.
The aerator assembly (#45) leaks or has an inconsistent water flow pattern.	Aerator assembly (#45) is dirty or misaligned.	Remove the aerator assembly (#45) by hand and check the washer (#23). If the washer (#23) is misaligned, realign the washer (#23) and reinstall. If the aerator assembly (#45) is dirty, soak it in warm white vinegar for 30 minutes. Reinstall or replace the aerator assembly (#45).

Have a question? DON'T GO BACK TO THE STORE, WE CAN HELP, just call 1-800-626-3525, 8 a.m. to 5 p.m. EST Monday-Friday, or send an email to Help@cmiproduct.com.

4

Configuration

A. Brazed Underbody B. Brazed Underbody C. Brazed Underbody



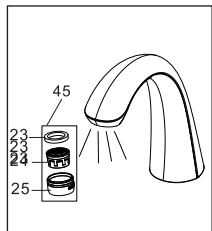
Connect to water supply lines with either:

- (A) 3/8" O.D. copper tubing (ball nose risers with the coupling nuts) or;
- (B) 3/8" copper tubing (no ball) with supplied tube head interior connector or;
- (C) IPS faucet connectors (1/2").



Warning:

The supply lines are not included.



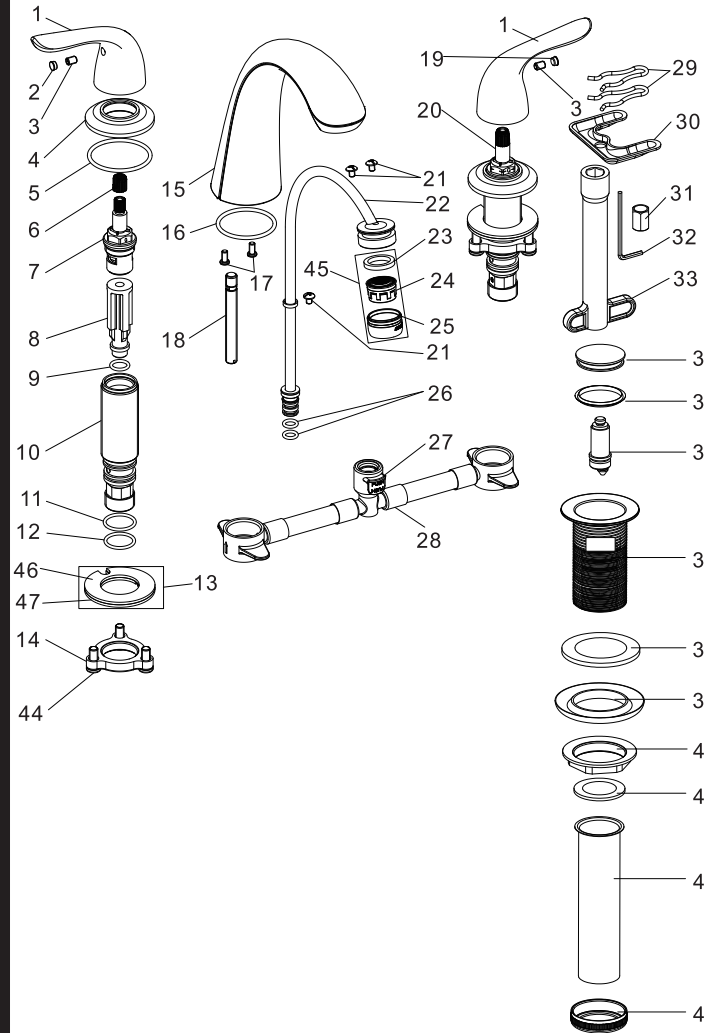
Important:

Remove the aerator assembly (#45). Turn on the hot and cold water for one minute. This will flush any debris from the lines that might clog the system. Turn off the water and reinstall the aerator assembly (#45).

Test system for leaks.

1

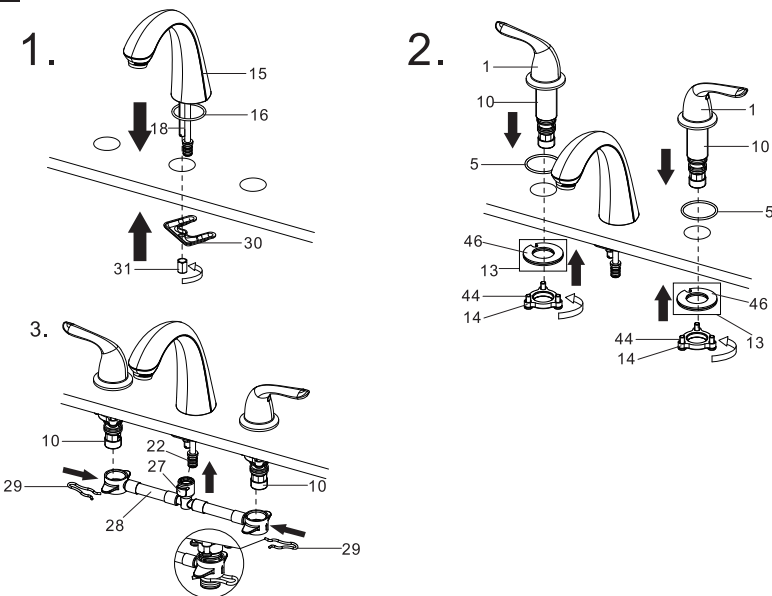
Parts Diagram



No.	Part Name
1	Handles
2	Handle Button (Red)
3	Set Screws
4	Handle Base
5	O-ring
6	Adapter
7	Cartridge
8	Cartridge Seat
9	O-ring
10	Brazed Underbody
11	O-ring
12	O-ring
13	Gasket Assembly
14	Lock Nut
15	Spout
16	O-ring
17	Screws
18	Mounting Bolt
19	Handle Button (Blue)
20	Cartridge
21	Screws
22	Waterway
23	Washer
24	Aerator Core
25	Aerator Collar
26	O-rings
27	Quick Connect
28	Quick Connect Hose
29	Clips
30	Clamp
31	Lock Nut
32	Allen Wrench
33	Socket Wrench
34	Cover
35	Washer
36	Stopper Core
37	Stopper Housing
38	Top Rubber Washer
39	Bottom Rubber Washer
40	Lock Nut
41	Washer
42	Outlet Pipe
43	Nut
44	Screws
45	Aerator Assembly
46	Rubber Washer
47	Clamp

2

Installation Instructions



1. Verify the o-ring (#16) is in place. Apply silicone sealant beneath the spout (#15) and insert the spout (#15) through the center hole. From underneath, assemble the clamp (#30) and lock nut (#31) on the mounting bolt (#18).

Hint: Have someone hold the spout (#15) in place while tightening.

2. Verify the o-rings (#5) are in place. Apply silicone sealant beneath the handles (#1) and insert the brazed underbody (#10) through the far left hole (hot water side). From underneath, reassemble the gasket assembly (#13) and lock nut (#14). Hand tighten the lock nut (#14) by lining up one of the screws (#44) with the groove in the gasket assembly (#13). Do NOT overtighten. Use a screwdriver to tighten the screws (#44) on the lock nut (#14). Repeat this step for the far right hole (cold water side). See the diagram for a visual.

Note: Assemble in the order listed. The gasket assembly (#13) should be installed with rubber washers (#46) first. See the diagram for a visual.

Hint: Have someone hold the handles (#1) in place while tightening.

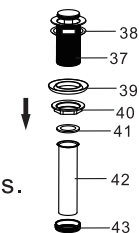
3. Position the quick connect hose (#28) as shown. Connect the quick connect (#27) to the waterway (#22). The quick connect (#27) is fully inserted when a light click or popping sound is heard. Use clips (#29) to attach the quick connect hose (#28) to the brazed underbody (#10).

3

Installation Instructions

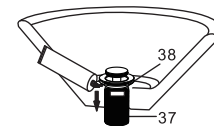
4. Disassemble the drain assembly by removing the nut (#43), outlet pipe (#42), washer (#41), lock nut (#40) and bottom rubber washer (#39).

Note: Before installation, verify there is no damage to the drain. If there is damage, please call customer service for a replacement. Do NOT install damaged parts.

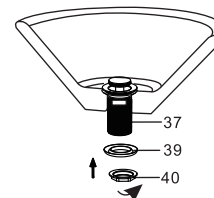


5. Remove the old drain assembly. Clean the surface to remove the old adhesive and dirt before installing the new drain. Dry the area thoroughly.

6. Place a ring of silicone sealant around the top rubber washer (#38) on the stopper housing (#37) or the drain opening of the sink. Insert the stopper housing (#37) into the drain hole from the top.



7. From underneath the sink, slide the bottom rubber washer (#39) onto the stopper housing (#37), then screw on the lock nut (#40) hand tight. Do NOT overtighten. See the diagram for a visual.



8. Slide the nut (#43) over the outlet pipe (#42) and insert the washer (#41) onto the outlet pipe (#42). Screw the nut (#43) onto the stopper housing (#37) hand tight. Do NOT overtighten.

