



## LIMITED LIFETIME WARRANTY

Compass Manufacturing International warrants to the original consumer purchaser that the faucet be free from defects in material and workmanship for as long as the original consumer purchaser owns the home in which the faucet was first installed.

In the event that Freendo faucets are used in a Commercial Application, this warranty is limited for a period of 5 years, unless otherwise specifically stated in the catalog and/or price book.

Compass Manufacturing International will replace, free of charge, during the applicable warranty period, any part or finish that proves defective in material and/or workmanship under normal installation, use and service. This warranty shall not apply to goods which have been subject to accidents, negligence or improper installation. Compass Manufacturing International will not be liable for other damages or losses, including, but not limited to: labor charges and/or damages incurred in installation, repair or replacement as well as any other kind of loss or damage. Proof of purchase from the original consumer purchaser must be made available for all warranty claims.

Compass Manufacturing International recommends using a professional plumber for all installation and repair. Compass Manufacturing International will, at its discretion, provide replacement parts for installation by consumer for any parts that prove defective under normal usage and service with new or equivalent parts. Replacement parts may be obtained by emailing the address below, calling the number below or by writing to:

### Compass Manufacturing International

Freendo Product Service

6702 Enterprise Drive

Louisville, KY 40214

800.626.3525

[warranty@cmiproduct.com](mailto:warranty@cmiproduct.com)

Revised 4/28/16

[warranty@cmiproduct.com](mailto:warranty@cmiproduct.com)

© Compass Manufacturing International

800.626.3525



Model No. : 201-6611 Polished Chrome  
201-6612 Brushed Nickel *Spotless PVD*  
201-6613 Oil-Rubbed Bronze



**Wide Spread Lavatory Faucet With Pop-up**  
3 Hole Installation, 6" -10" Center-Set



## Helpful Information

### Helpful Tools

#### Tools:

Gather the necessary tools as shown below to complete the installation of this faucet. Some may not be needed depending on the model of faucet you are installing. Check with your local hardware store on the requirements of your installation situation.



Plumber's Putty



Flashlight



Basin Wrench



Safety Glasses



Screwdriver



Pliers

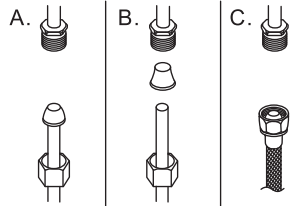


Channel Locks



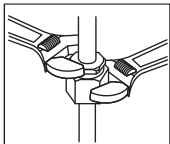
Adjustable Wrench

Connect to water supply lines with either:



- (A) 3/8" O.D. Copper tubing (ball nose risers with the coupling nuts or;  
 (B) 3/8" Copper tubing (no ball) with supplied tube head interior connector or;  
 (C) IPS faucet connectors (1/2" )

**!** Warning: The supply valves and supply lines are not included.



#### Important:

Tighten connection with two wrench to prevent damage to tube body. Be careful not to bend the stem as this will void the product warranty.



Remove the aerator and let both hot and cold water run for one minute. To clear any line trash. This will help clean any debris that might clog the system. Re-assemble aerator.

**Test system for leaks .**

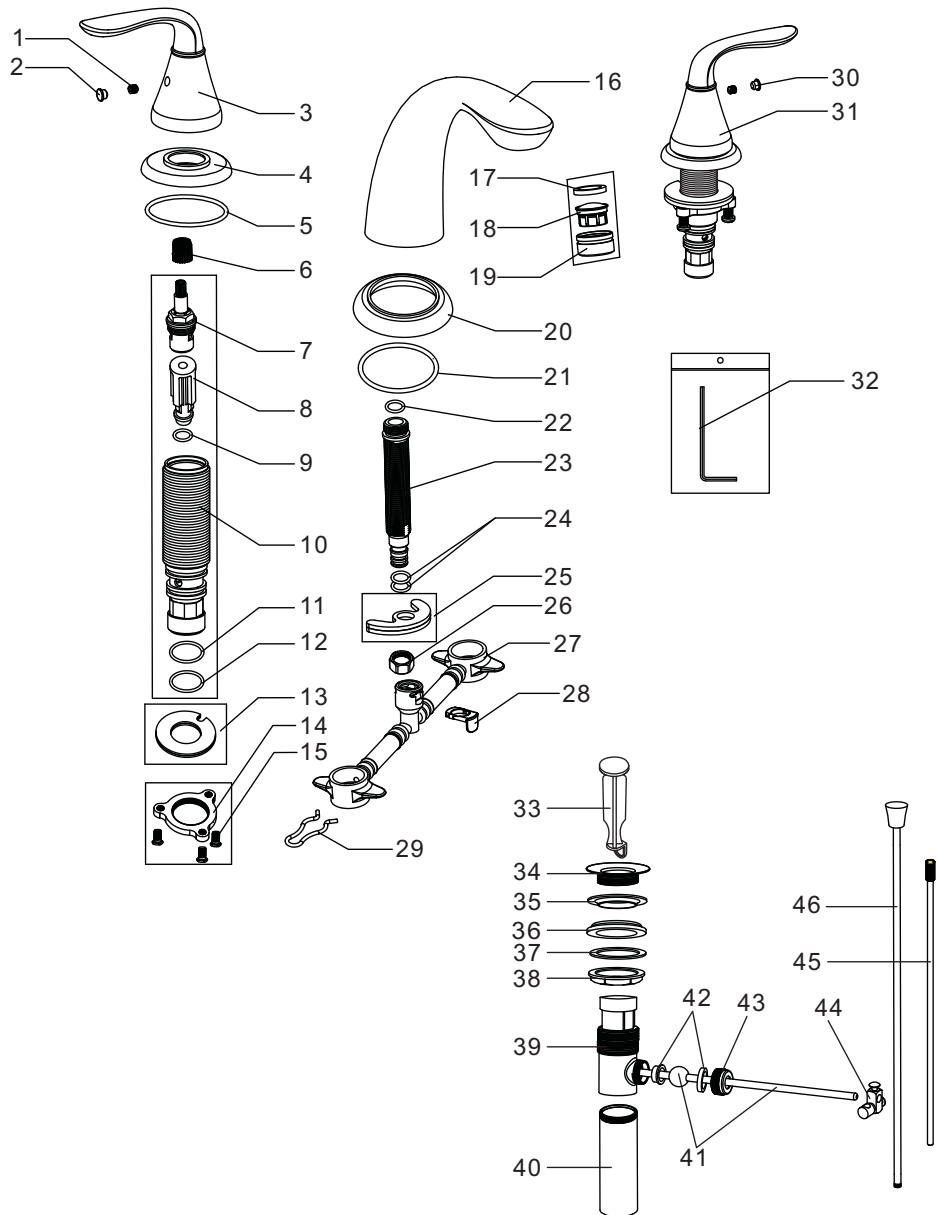
## 5

## Parts List

23	Inlet	46	Lift Rod
22	O-ring	45	Extend Rod
21	O-ring	44	Fittings
20	Spout Flange	43	Rod Guide Nut
19	Aerator Collar	42	Rod Ball Plastic Gasket
18	Aerator Core	41	Horizontal Rod
17	Aerator Washer	40	Tailpiece
16	Spout	39	Drain Body
15	Screw	38	Locknut
14	Locknut	37	Washer
13	Clamp	36	Bottom Rubber Washer
12	O-ring	35	Top Rubber Washer
11	O-ring	34	Flange
10	Brass Valve Body	33	Drain Stopper
9	O-ring	32	Allen Key
8	Cartridge Seat	31	Cartridge(Cold Water)
7	Cartridge(Hot Water)	30	Index(Cold)
6	Handle Adapter	29	Clip
5	O-ring	28	Plastic Lock Ring
4	Handle Flange	27	Quick Connect Hose
3	Handle	26	Locknut
2	Set Screw	25	Clamp
1	Index(Hot)	24	O-ring
<b>No.</b>	<b>Part Name</b>	<b>No.</b>	<b>Part Name</b>

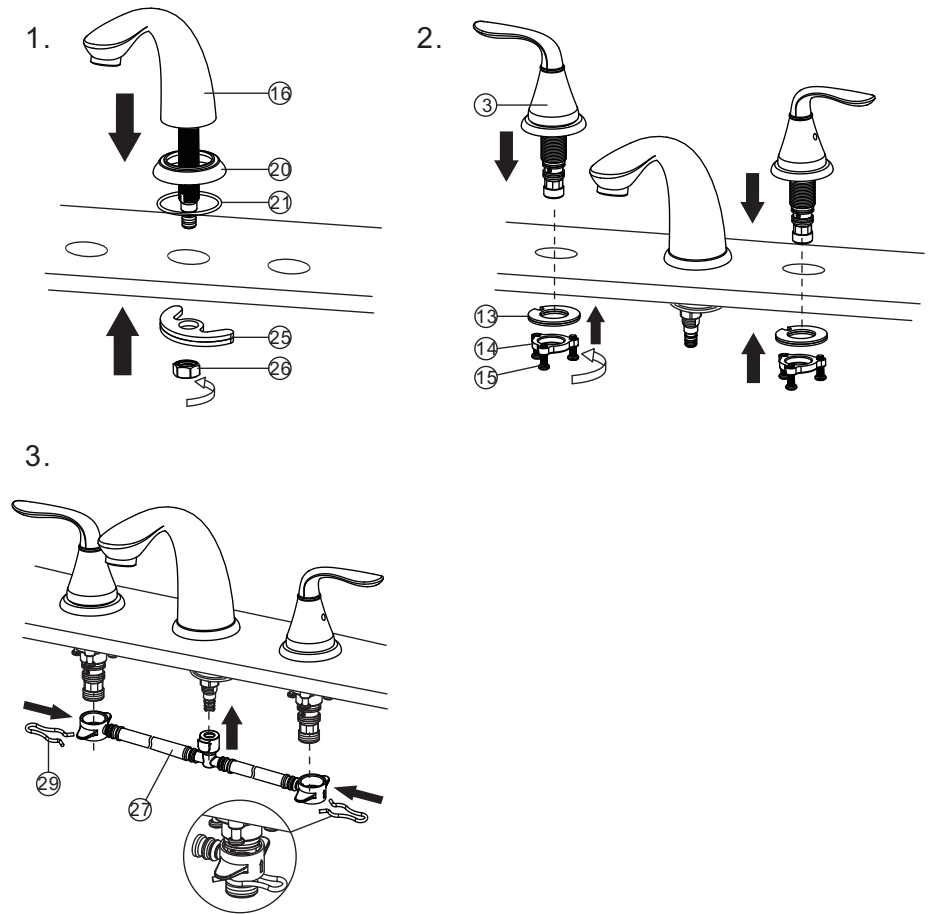
4

## Parts Diagram



1

## Faucet Installation

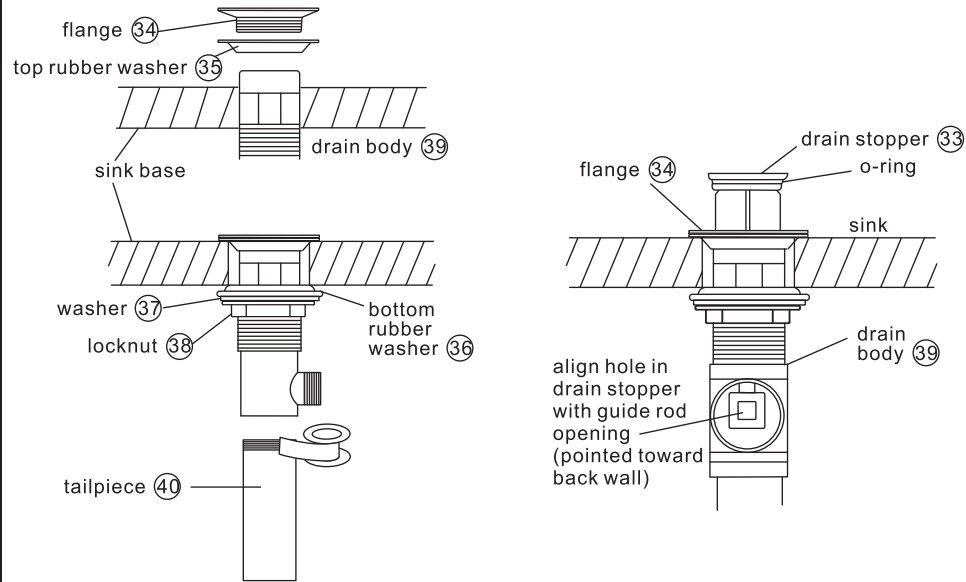


1. Position spout (16), spout flange (20) and O-ring (21) on countertop, from underneath of the countertop, assemble clamp (25) and locknut (26), tighten the locknut with basin wrench.
2. Position the handle (3) as shown, and assemble the clamp (13), locknut (14) and screw (15). Tighten the locknut (14) by hand and secure the screws (15) by screwdriver. Repeat the above steps for the other handle.
3. Position the quick connect hose (27) as shown and fix it to faucet by using the clip (29).

**2**

## Pop-up Installation

Instruction for product with drain option only

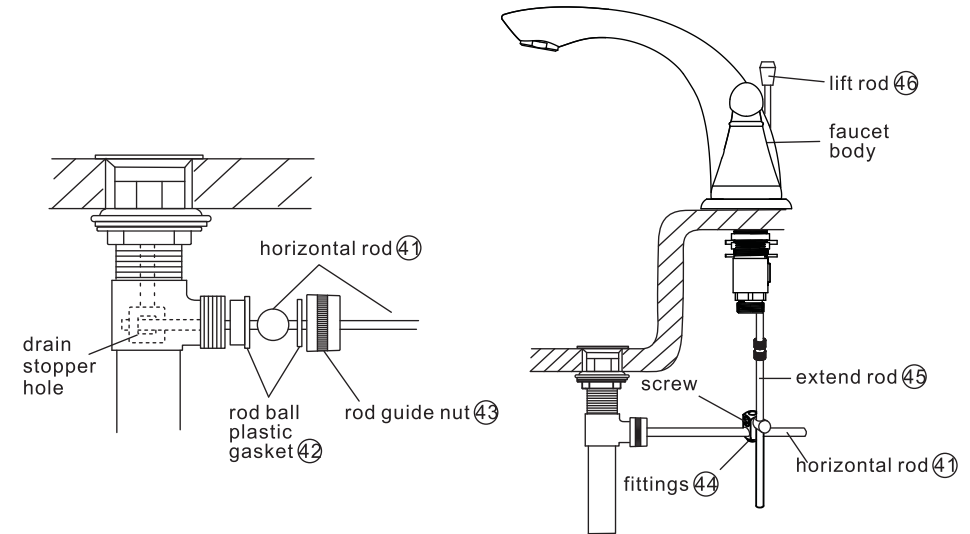


- A. Remove pop-up drain stopper (33) and flange (34) with top rubber washer (35) for pop-up assembly.
  - B. Insert drain body from underneath of sink drain hole. Replace flange (34) and top rubber washer (35) back to drain body (39). Tighten flange as far as possible.
  - C. Slide bottom rubber washer (36) on drain body up against bottom of sink. Tighten washer (37) and locknut (38) firmly against base for tight seal.
  - D. Remove tailpiece (40) from drain body (39), add Teflon tape, replace tailpiece (40).
- A. Replace pop-up drain stopper (33) to drain body (39) with o-ring in place, and align stopper hole with guide rod opening (pointed toward back wall).

**3**

## Pop-up Installation

Instruction for product with drain option only



- A. Remove rod guide nut (43) and rod ball plastic gasket (42).
  - B. Insert horizontal rod (41) into drain body (39) and through hole in drain stopper (33).
  - C. Replace rod guide nut (43) with rod ball plastic gasket (42) and tighten it.
- A. Insert lift rod (46) through hole on faucet body.
  - B. Connect extend rod (45) to lift rod (46). Attach horizontal rod (41) to extend rod (45) using fittings (44), tighten screw.