

Cardania Series Contractor Single Function Shower Only Trim Pack



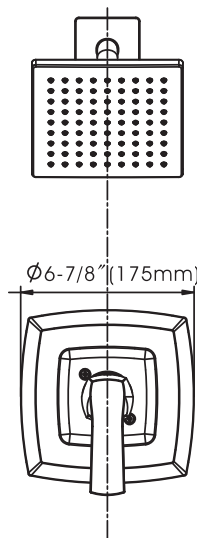
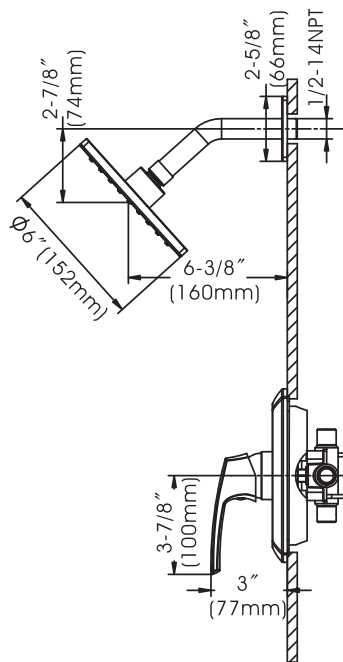
Model No. : 192-6427

- * One Piece Pressure Balanced Ceramic Cartridge with Balancing Spool
- * 6" Single Function Shower Head
- * Stainless Steel Shower Arm with Flange
- * Stainless Steel Escutcheon with Screws
- * Zinc Handle
- * Matching Finish Trim Sleeve
- * Flow Rate: 1.5 GPM (5.7 L/MIN) MAX @ 80PSI
- * 100% Pressure System Tested
- * Lifetime Limited Warranty; 5 year Warranty from Date of Purchase for Commercial Use

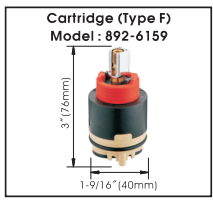
Project / Job Name	
Architect / Engineer	
Contractor	
Model	
Quantity	

Model No. :

- 192-6425 (CH)
 192-6426 (BN *Spotless PVD*)
 192-6427 (ORB) (Shown Model)
 192-7267 (MB)
 192-7268 (MG)



Shower Head Function :

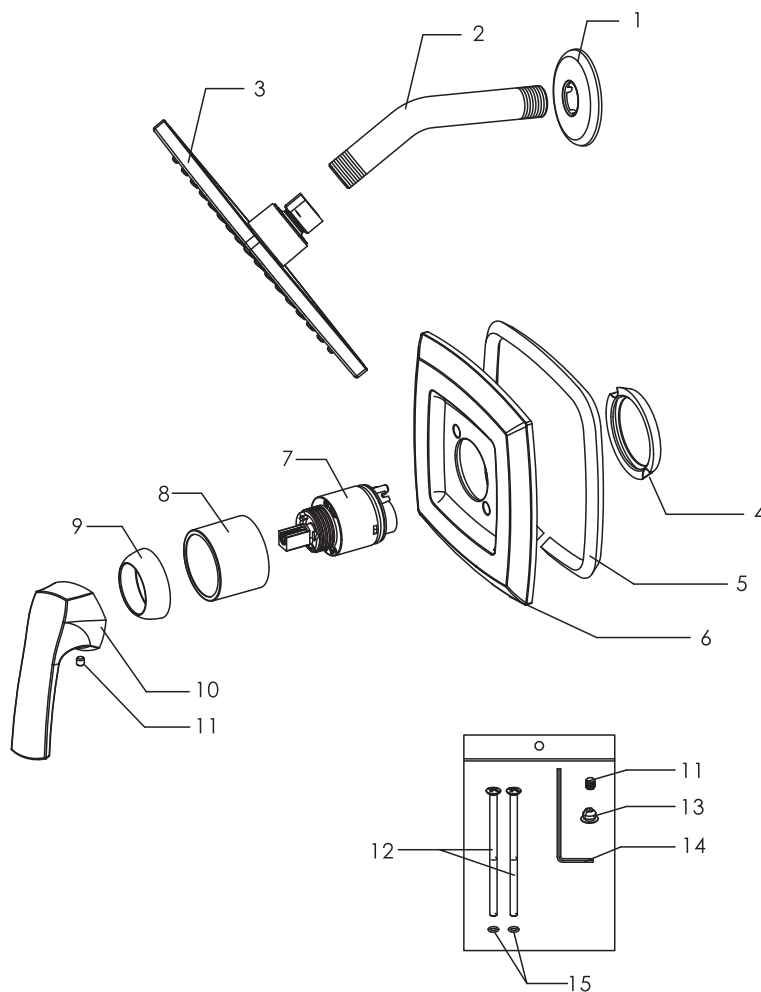


- Product Compliance:**
- ASME A112.18.1 / CSA B125.1
 - ANSI A117.1 (ADA)
 - ASSE 1016

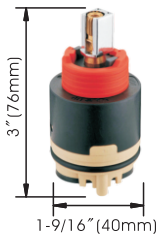
Cardania Series Contractor Single Function Shower Only Trim Pack

Model No. :

- 192-6425 (Polished Chrome)
- 192-6426 (Brushed Nickel Spotless PVD)
- 192-6427 (Oil-Rubbed Bronze)
- 192-7267 (Matte Black)
- 192-7268 (Matte Gold)



Cartridge (Type F)
Model : 892-6159



No.	Part Name	Material
1	Shower Arm Flange	Stainless Steel
2	Shower Arm	Stainless Steel
3	Shower Head	Plastic
4	Sealing Ring	Rubber
5	Gasket	Sponge
6	Escutcheon	Stainless Steel
7	Cartridge	Ceramic
8	Cartridge Sleeve	Brass
9	Trim Cap	Brass
10	Handle	Zinc
11	Set Screw	Stainless Steel
12	Screws	Stainless Steel
13	Index (Hot/Cold)	Plastic
14	Allen Wrench	Steel
15	O-Rings	Rubber

Technical Support: warranty@cmiproduct.com
Hour of Operation: Mon - Fri 8:30 a.m. - 5:00 p.m. EST