

Aegean Series Contractor Six Function Shower Only Trim Pack



Model No. : 192-6452

- * One Piece Pressure Balanced Ceramic Cartridge with Balancing Spool
- * 4-3/4" Six Function Shower Head
- * Stainless Steel Shower Arm with Flange
- * Stainless Steel Escutcheon with Screws
- * Zinc Handle
- * Matching Finish Trim Sleeve
- * Flow Rate: 1.5GPM (5.7L/MIN) MAX @ 80PSI
- * 100% Pressure System Tested
- * Lifetime Limited Warranty; 5 year Warranty from Date of Purchase for Commercial Use

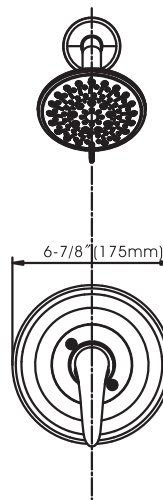
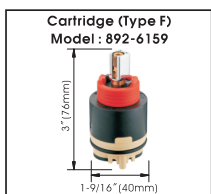
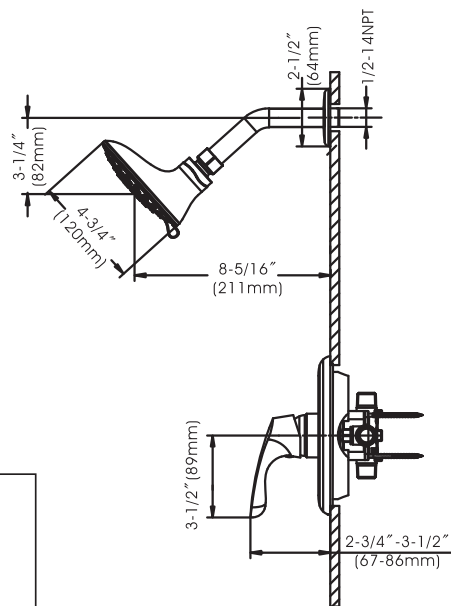
Project / Job Name	
Architect / Engineer	
Contractor	
Model	
Quantity	

Model No. :

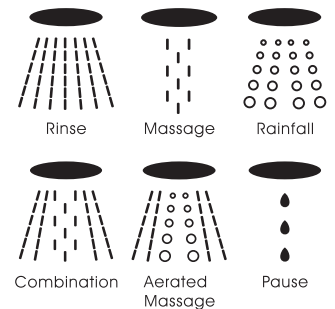
192-6452 (CH)
 (Shown Model)

192-6453 (BN *Spotless PVD*)

192-6454 (ORB)



Shower Head Functions :



Product Compliance:

- ASME A112.18.1 / CSA B125.1
- ANSI A117.1 (ADA)
- ASSE 1016

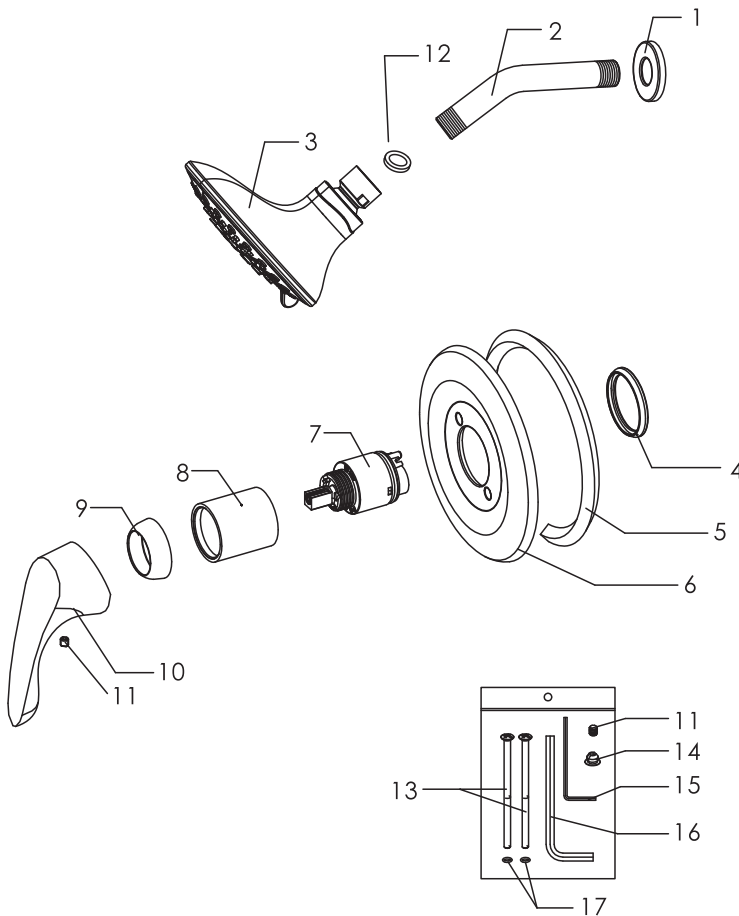
Aegean Series Contractor Six Function Shower Only Trim Pack

Model No. :

192-6452 (Polished Chrome)

192-6453 (Brushed Nickel **Spotless PVD**)

192-6454 (Oil-Rubbed Bronze)



No.	Part Name	Material
1	Shower Arm Flange	Stainless Steel
2	Shower Arm	Stainless Steel
3	Shower Head	Plastic
4	Sealing Ring	Rubber
5	Gasket	Sponge
6	Escutcheon	Stainless Steel
7	Cartridge	Ceramic
8	Cartridge Sleeve	Brass
9	Trim Cap	Brass
10	Handle	Zinc
11	Set Screw	Stainless Steel
12	Rubber Washer	Rubber
13	Screws	Stainless Steel
14	Index	Plastic
15	Small Allen Wrench	Steel
16	Large Allen Wrench	Steel
17	O-rings	Rubber

Cartridge (Type F)
Model : 892-6159



Technical Support: warranty@cmiproduct.com
 Hour of Operation: Mon - Fri 8:00 a.m - 5:00 p.m. EST