

## Casmir Series Contractor Hand-Held Shower with Slide Bar

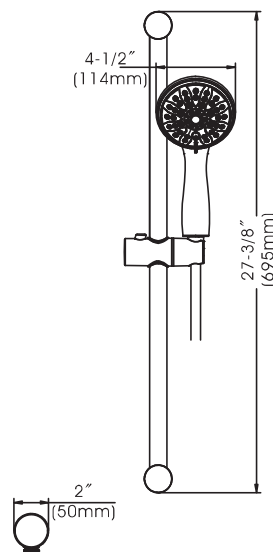
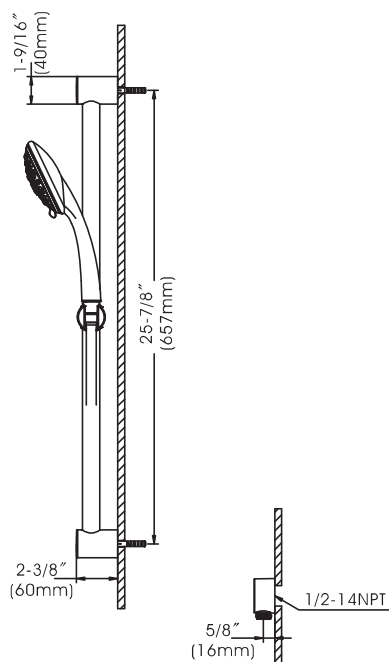


- \* 3 Function Hand-Held Shower
- \* 27" Stainless Steel Slide Bar
- \* 4-3/4" 3 Function Hand-Held Shower Head
- \* Heavy Duty Zinc Base
- \* Brass Hose Connector with a 60" Hose
- \* Solid Brass Waterway Construction with 1/2"-14 NPT Connection
- \* Flow Rate: 1.5GPM (5.7L/MIN) MAX @ 80PSI
- \* 100% Pressure System Tested
- \* Lifetime Limited Warranty; 5 year warranty from date of purchase for Commercial use

|                      |  |
|----------------------|--|
| Project / Job Name   |  |
| Architect / Engineer |  |
| Contractor           |  |
| Model                |  |
| Quantity             |  |

### Model No. :

- 192-6820 (CH) (Shown Model)
  192-6821 (BN *Spotless* PVD)
  192-7290 (MG)
  192-7291 (MB)



### Shower Head Functions :



- Product Compliance:**
- ASME A112.18.1 / CSA B125.1
  - ASSE 1016
  - ANSI A17.1 (ADA) for Lever Handle Only

## Casmir Series Contractor Hand-Held Shower with Slide Bar

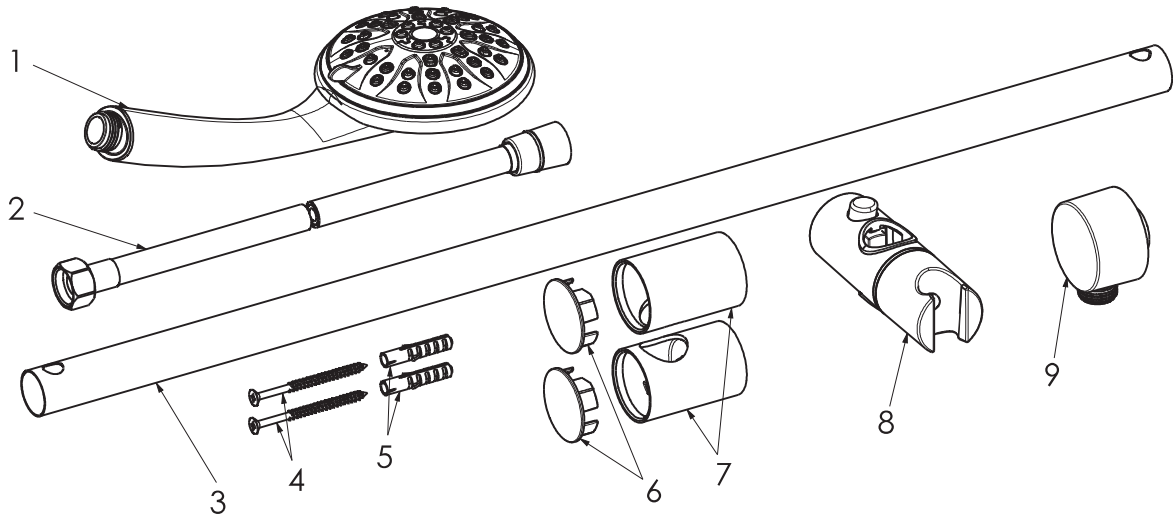
**Model No. :**

192-6820 (Polished Chrome)

192-6821 (Brushed Nickel *Spotless* PVD)

192-7290 (Matte Gold)

192-7291 (Matte Black)



| No. | Part Name        | Material        |
|-----|------------------|-----------------|
| 1   | Hand-Held Shower | Plastic         |
| 2   | Shower Hose      | Stainless Steel |
| 3   | Slide Bar        | Stainless Steel |
| 4   | Screws           | Stainless Steel |
| 5   | Wall Anchors     | Plastic         |
| 6   | Trim Caps        | Plastic         |
| 7   | Base Support     | Zinc            |
| 8   | Shower Holder    | Plastic         |
| 9   | Wall Supply      | Brass           |

Technical Support: [warranty@cmiproduct.com](mailto:warranty@cmiproduct.com)  
 Hour of Operation: Mon - Fri 8:30 a.m - 5:00 p.m. EST