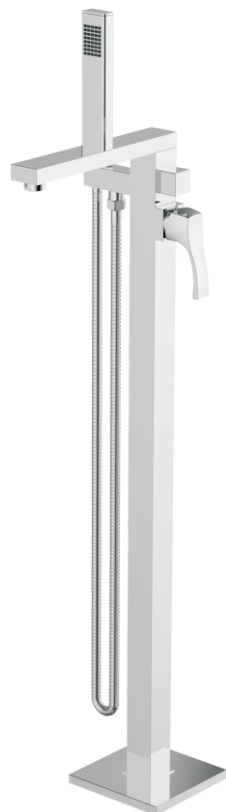


## Cardania - Single Handle Floor Mount Faucet



- \* 35-7/16" High and 8-13/16" Long Brass Spout, Zinc Handle
- \* Single Function Hand Held Shower
- \* Stainless Steel Floor Escutcheon
- \* Premium Grade Ceramic Cartridge (Type G)
- \* Solid Brass Waterway Construction with 1/2" -14 NPT Connection
- \* Two Integral Check Valves to Prevent Backflow
- \* Hand Held Shower Flow Rate: 2.5GPM (9.5L/MIN) MAX @ 80PSI
- \* Spout Flow Rate: 4.8GPM (18.25L/MIN) MAX @ 80PSI
- \* 100% Pressure System Tested
- \* Lifetime Limited Warranty; 5 year warranty from date of purchase for Commercial use

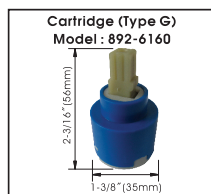
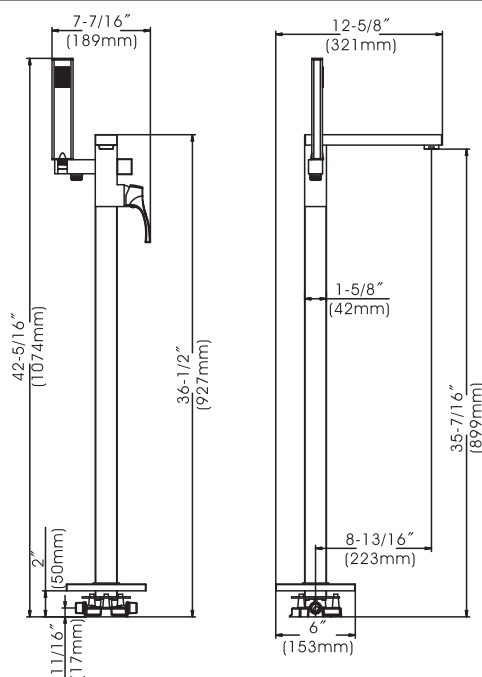
|                      |  |
|----------------------|--|
| Project / Job Name   |  |
| Architect / Engineer |  |
| Contractor           |  |
| Model                |  |
| Quantity             |  |

### Model No. :

192-6941 (CH)  
 (Shown Model)

192-6942 (BN *Spotless PVD*)

192-8066 (MB)

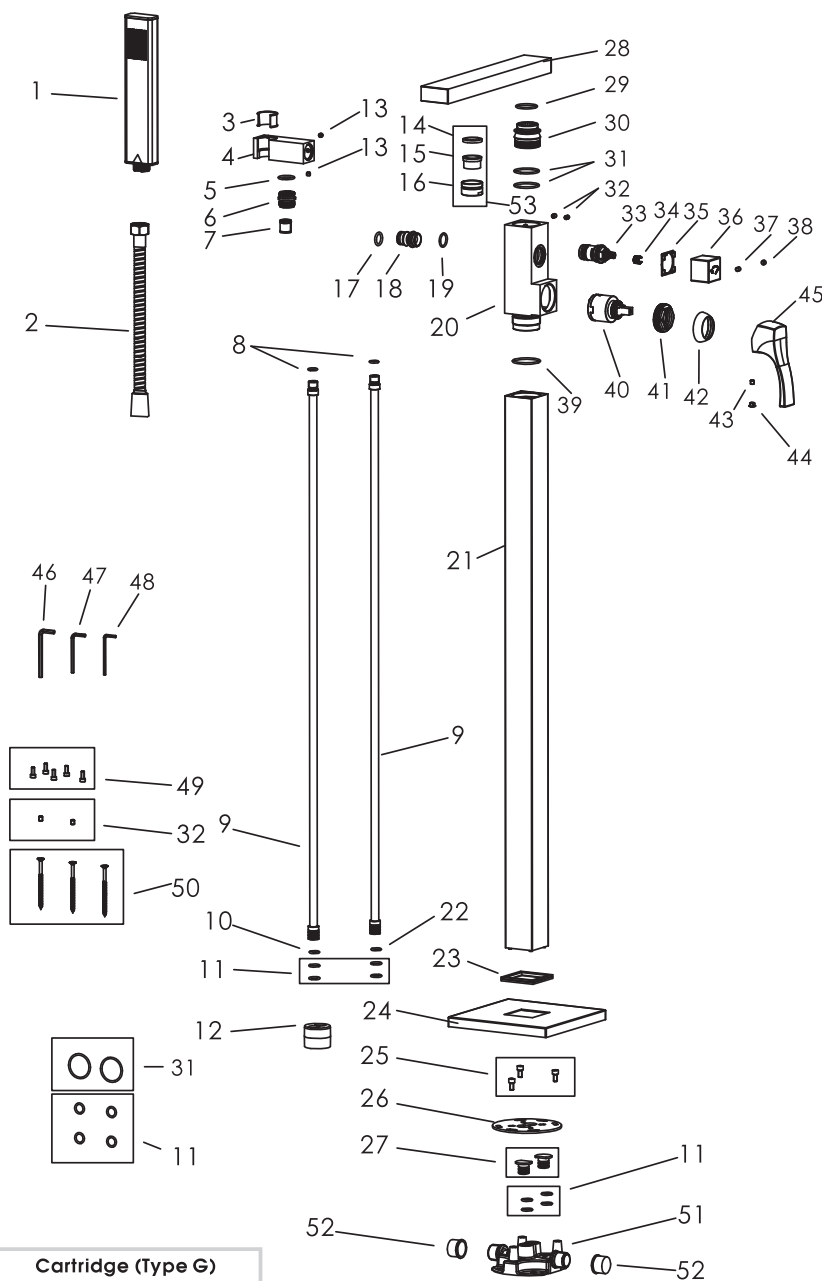


### Shower Head Function :



- Product Compliance:**
- ASME A112.18.1 / CSA B125.1
  - ANSI A117.1 (ADA)

# Cardania - Single Handle Floor Mount Faucet



## Model No. :

192-6941 (Polished Chrome)

192-6942 (Brushed Nickel **Spotless PVD**)

192-8066 (Matte Black)

| No. | Part Name                  | Material                         |
|-----|----------------------------|----------------------------------|
| 1   | Hand-held Shower           | Plastic                          |
| 2   | Hose                       | Rubber + Brass + Stainless Steel |
| 3   | Hand-held Shower Protector | Plastic                          |
| 4   | Shower Holder              | Brass                            |
| 5   | O-ring                     | Rubber                           |
| 6   | Connector                  | Brass                            |
| 7   | Restrictor                 | Plastic                          |
| 8   | O-rings                    | Rubber                           |
| 9   | Water Supply Tube          | Brass                            |
| 10  | O-ring (Red)               | Silicone                         |
| 11  | O-rings                    | Rubber                           |
| 12  | Rubber Plug                | Rubber                           |
| 13  | Screw                      | Stainless Steel                  |
| 14  | O-ring                     | Rubber                           |
| 15  | Aerator                    | Plastic                          |
| 16  | Aerator Cover              | Brass                            |
| 17  | O-ring                     | Rubber                           |
| 18  | Connector                  | Brass                            |
| 19  | O-ring                     | Rubber                           |
| 20  | Cartridge Body             | Brass                            |
| 21  | Body                       | Brass                            |
| 22  | O-ring (Blue)              | Rubber                           |
| 23  | Silicone Sleeve            | Rubber                           |
| 24  | Floor Escutcheon           | Stainless Steel                  |
| 25  | Valve Screws               | Stainless Steel                  |
| 26  | Mounting Plate             | Stainless Steel                  |
| 27  | Stoppers                   | Brass                            |
| 28  | Spout                      | Brass                            |
| 29  | O-ring                     | Rubber                           |
| 30  | Spout Connector            | Brass                            |
| 31  | O-rings                    | Rubber                           |
| 32  | Spout Mounting Screws      | Stainless Steel                  |
| 33  | Diverter                   | Ceramic                          |
| 34  | Handle Stem                | Plastic                          |
| 35  | Wearing Ring               | Plastic                          |
| 36  | Diverter Wheel             | Zinc                             |
| 37  | Diverter Wheel Screw       | Stainless Steel                  |
| 38  | Handle Button              | Silicone                         |
| 39  | O-ring                     | Rubber                           |
| 40  | Cartridge                  | Ceramic                          |
| 41  | Lock Nut                   | Brass                            |
| 42  | Trim Cap                   | Plastic                          |
| 43  | Set Screw                  | Stainless Steel                  |
| 44  | Handle Button (Red/Blue)   | Plastic                          |
| 45  | Handle                     | Zinc                             |
| 46  | Large Allen Wrench         | Steel                            |
| 47  | Medium Allen Wrench        | Steel                            |
| 48  | Small Allen Wrench         | Steel                            |
| 49  | Mounting Plate Screws      | Stainless Steel                  |
| 50  | Valve Mounting Screws      | Stainless Steel                  |
| 51  | Valve                      | Brass                            |
| 52  | Tube Protectors            | Plastic                          |
| 53  | Aerator Assembly           | Brass+Rubber+Plastic             |

**Cartridge (Type G)**  
**Model : 892-6160**



Technical Support: [warranty@cmiproduct.com](mailto:warranty@cmiproduct.com)  
 Hour of Operation: Mon - Fri 8:00 a.m - 5:00 p.m. EST