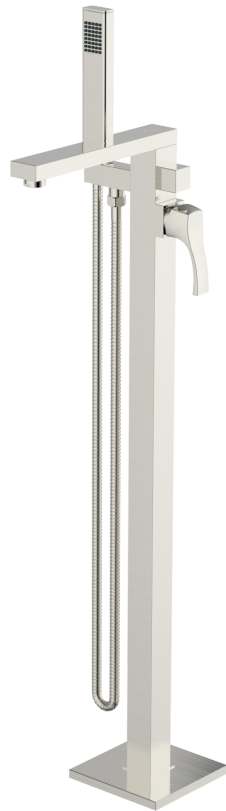


Cardania - Single Handle Floor Mount Faucet



- * 35-7/16" High and 8-13/16" Long Brass Spout, Zinc Handle
- * Single Function Hand Held Shower
- * Stainless Steel Floor Escutcheon
- * Premium Grade Ceramic Cartridge (Type G)
- * Solid Brass Waterway Construction with 1/2" -14 NPT Connection
- * Two Integral Check Valves to Prevent Backflow
- * Hand Held Shower Flow Rate: 2.5GPM (9.5L/MIN) MAX @ 80PSI
- * Spout Flow Rate: 4.8GPM (18.25L/MIN) MAX @ 80PSI
- * 100% Pressure System Tested
- * Lifetime Limited Warranty; 5 year warranty from date of purchase for Commercial use

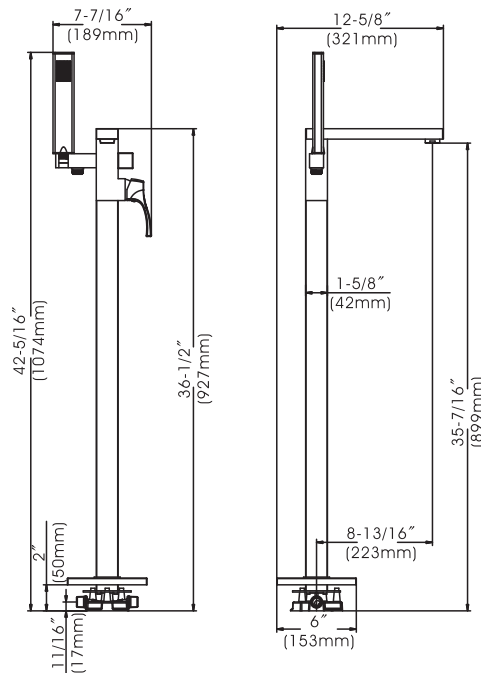
Project / Job Name	
Architect / Engineer	
Contractor	
Model	
Quantity	

Model No. :

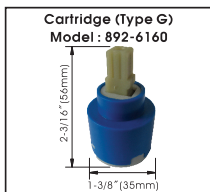
192-6941 (CH)

192-6942 (BN *Spotless PVD*)
 (Shown Model)

192-8066 (MB)

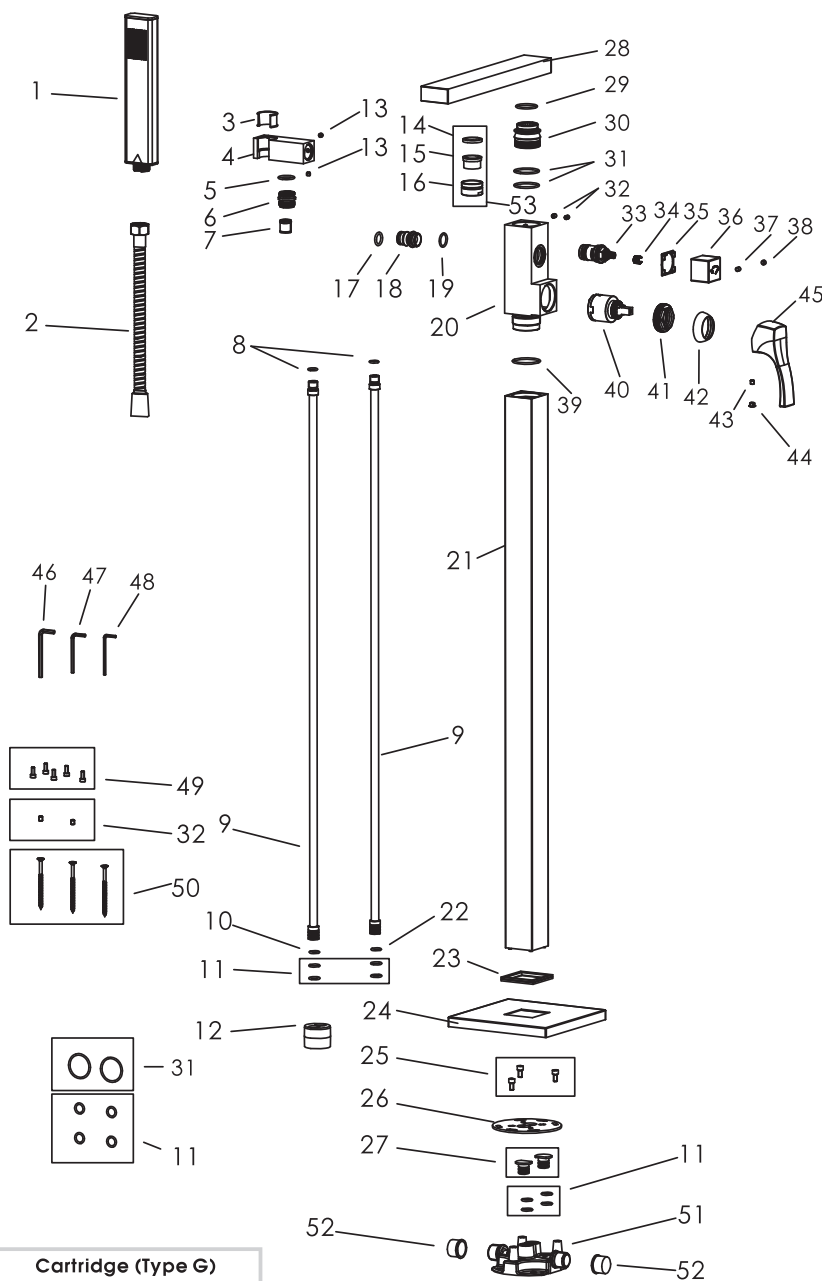


Shower Head Function :



- Product Compliance:**
- ASME A112.18.1 / CSA B125.1
 - ANSI A117.1 (ADA)

Cardania - Single Handle Floor Mount Faucet



Model No. :

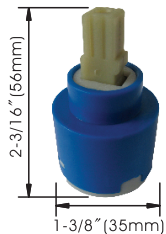
192-6941 (Polished Chrome)

192-6942 (Brushed Nickel **Spotless PVD**)

192-8066 (Matte Black)

No.	Part Name	Material
1	Hand-held Shower	Plastic
2	Hose	Rubber + Brass + Stainless Steel
3	Hand-held Shower Protector	Plastic
4	Shower Holder	Brass
5	O-ring	Rubber
6	Connector	Brass
7	Restrictor	Plastic
8	O-rings	Rubber
9	Water Supply Tube	Brass
10	O-ring (Red)	Silicone
11	O-rings	Rubber
12	Rubber Plug	Rubber
13	Screw	Stainless Steel
14	O-ring	Rubber
15	Aerator	Plastic
16	Aerator Cover	Brass
17	O-ring	Rubber
18	Connector	Brass
19	O-ring	Rubber
20	Cartridge Body	Brass
21	Body	Brass
22	O-ring (Blue)	Rubber
23	Silicone Sleeve	Rubber
24	Floor Escutcheon	Stainless Steel
25	Valve Screws	Stainless Steel
26	Mounting Plate	Stainless Steel
27	Stoppers	Brass
28	Spout	Brass
29	O-ring	Rubber
30	Spout Connector	Brass
31	O-rings	Rubber
32	Spout Mounting Screws	Stainless Steel
33	Diverter	Ceramic
34	Handle Stem	Plastic
35	Wearing Ring	Plastic
36	Diverter Wheel	Zinc
37	Diverter Wheel Screw	Stainless Steel
38	Handle Button	Silicone
39	O-ring	Rubber
40	Cartridge	Ceramic
41	Lock Nut	Brass
42	Trim Cap	Plastic
43	Set Screw	Stainless Steel
44	Handle Button (Red/Blue)	Plastic
45	Handle	Zinc
46	Large Allen Wrench	Steel
47	Medium Allen Wrench	Steel
48	Small Allen Wrench	Steel
49	Mounting Plate Screws	Stainless Steel
50	Valve Mounting Screws	Stainless Steel
51	Valve	Brass
52	Tube Protectors	Plastic
53	Aerator Assembly	Brass+Rubber+Plastic

Cartridge (Type G)
Model : 892-6160



Technical Support: warranty@cmiproduct.com
 Hour of Operation: Mon - Fri 8:00 a.m - 5:00 p.m. EST