

Aegean Series Contractor Handle and Escutcheon Trim Pack



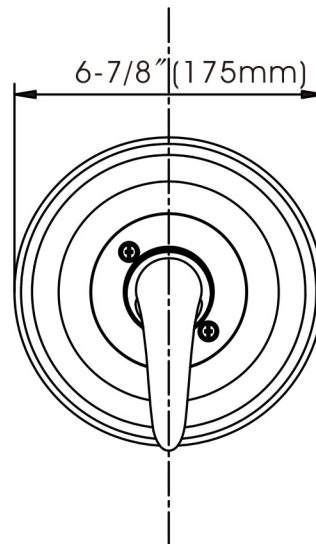
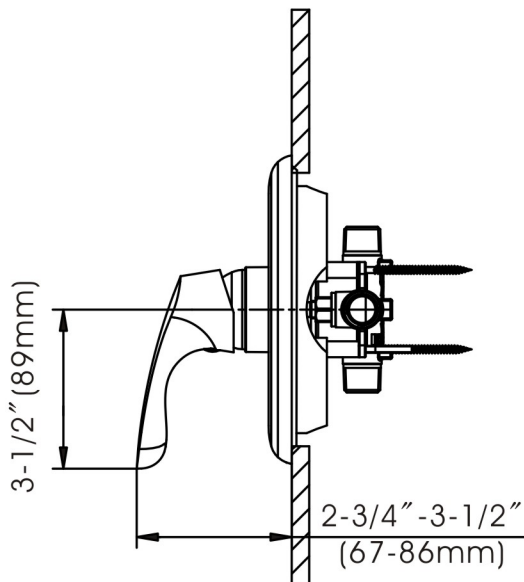
- * One Piece Pressure Balanced Ceramic Cartridge with Balancing Spool
- * Back-to-Back Installation Capability
- * Metal Escutcheon with Screws
- * Zinc Handle
- * Matching Finish Trim Sleeve

Project / Job Name	
Architect / Engineer	
Contractor	
Model	
Quantity	

Model No. :

192-6970 (CH)
 (Shown Model)

192-6971 (BN *Spotless PVD*)



Product Compliance:

- ASME A112.18.1 / CSA B125.1
- ANSI A117.1 (ADA)
- ASSE 1016