

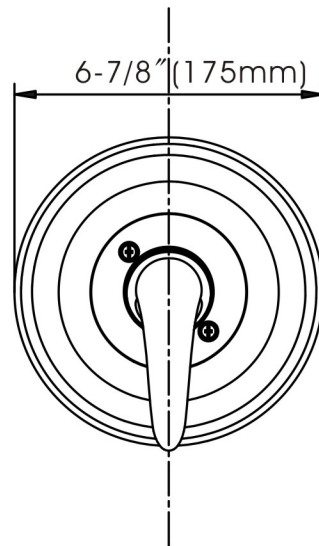
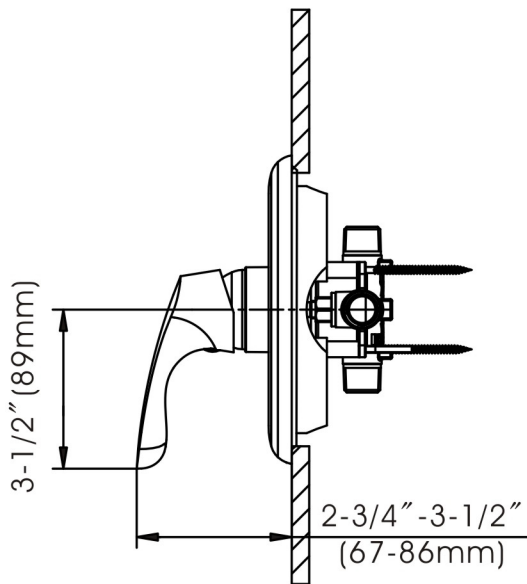
**Aegean Series Contractor Handle and Escutcheon Trim Pack**



- \* One Piece Pressure Balanced Ceramic Cartridge with Balancing Spool
- \* Back-to-Back Installation Capability
- \* Metal Escutcheon with Screws
- \* Zinc Handle
- \* Matching Finish Trim Sleeve

Project / Job Name	
Architect / Engineer	
Contractor	
Model	
Quantity	

**Model No. :**  
 192-6970 (CH)       192-6971 (BN *Spotless* PVD)  
 (Shown Model)



**Product Compliance:**  
 • ASME A112.18.1 / CSA B125.1  
 • ANSI A117.1 (ADA)  
 • ASSE 1016