

## Cardania Series Contractor Handle and Escutcheon Trim Pack

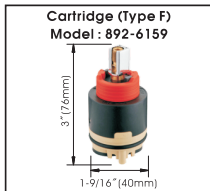
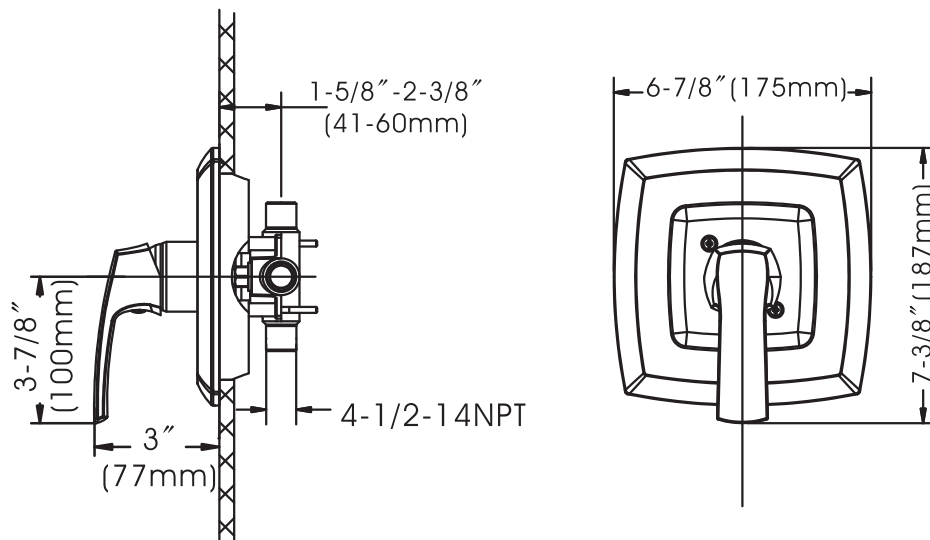


- \* One Piece Pressure Balanced Ceramic Cartridge with Balancing Spool
- \* Stainless Steel Escutcheon with Screws
- \* Zinc Handle
- \* Matching Finish Trim Sleeve
- \* 100% Pressure System Tested
- \* Lifetime Limited Warranty; 5 year warranty from date of purchase for Commercial use

Project / Job Name	
Architect / Engineer	
Contractor	
Model	
Quantity	

### Model No. :

192-6972 (CH)  192-6973 (BN *Spotless PVD*)  192-7273 (MB)  192-7274 (MG)  
 (Shown Model)



**Product Compliance:**

- ASME A112.18.1 / CSA B125.1
- ASSE 1016

## Cardania Series Contractor Handle and Escutcheon Trim Pack

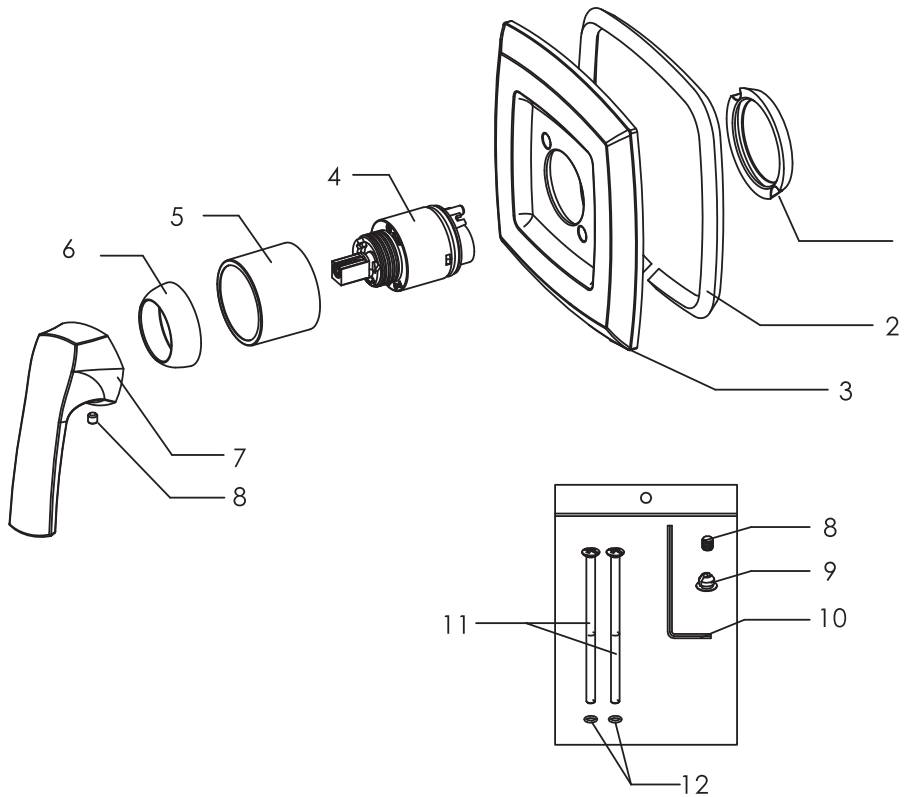
### Model No. :

192-6972 (Polished Chrome)

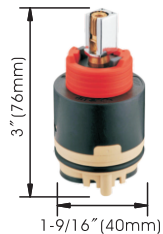
192-6973 (Brushed Nickel Spotless PVD)

192-7273 (Matte Black)

192-7274 (Matte Gold)



Cartridge (Type F)  
Model : 892-6159



No.	Part Name	Material
1	Sealing Ring	Rubber
2	Escutcheon Gasket	Sponge
3	Escutcheon	Stainless Steel
4	Cartridge	Ceramic
5	Cartridge Sleeve	Brass
6	Trim Cap	Brass
7	Handle	Zinc
8	Set Screw	Stainless Steel
9	Index (Hot/Cold)	Plastic
10	Allen Wrench	Steel
11	Escutcheon Screws	Stainless Steel
12	O-Rings	Rubber

Technical Support: [warranty@cmiproduct.com](mailto:warranty@cmiproduct.com)  
Hour of Operation: Mon - Fri 8:30 a.m - 5:00 p.m. EST