

Cardania Series Contractor Handle and Escutcheon Trim Pack

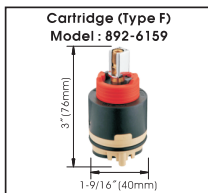
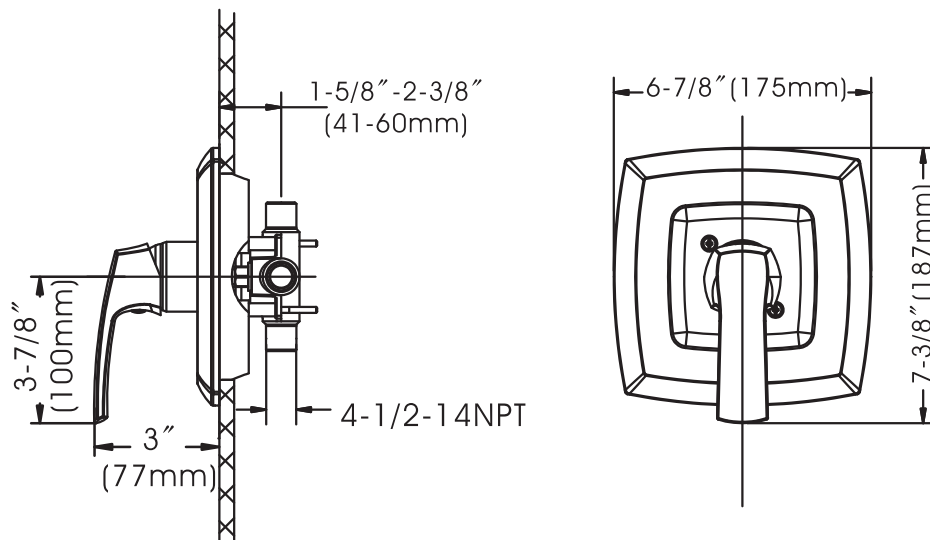


- * One Piece Pressure Balanced Ceramic Cartridge with Balancing Spool
- * Stainless Steel Escutcheon with Screws
- * Zinc Handle
- * Matching Finish Trim Sleeve
- * 100% Pressure System Tested
- * Lifetime Limited Warranty; 5 year warranty from date of purchase for Commercial use

Project / Job Name	
Architect / Engineer	
Contractor	
Model	
Quantity	

Model No. :

192-6972 (CH)
 192-6973 (BN *Spotless* PVD) **(Shown Model)**
 192-7273 (MB)
 192-7274 (MG)



Product Compliance:

- ASME A112.18.1 / CSA B125.1
- ASSE 1016

Cardania Series Contractor Handle and Escutcheon Trim Pack

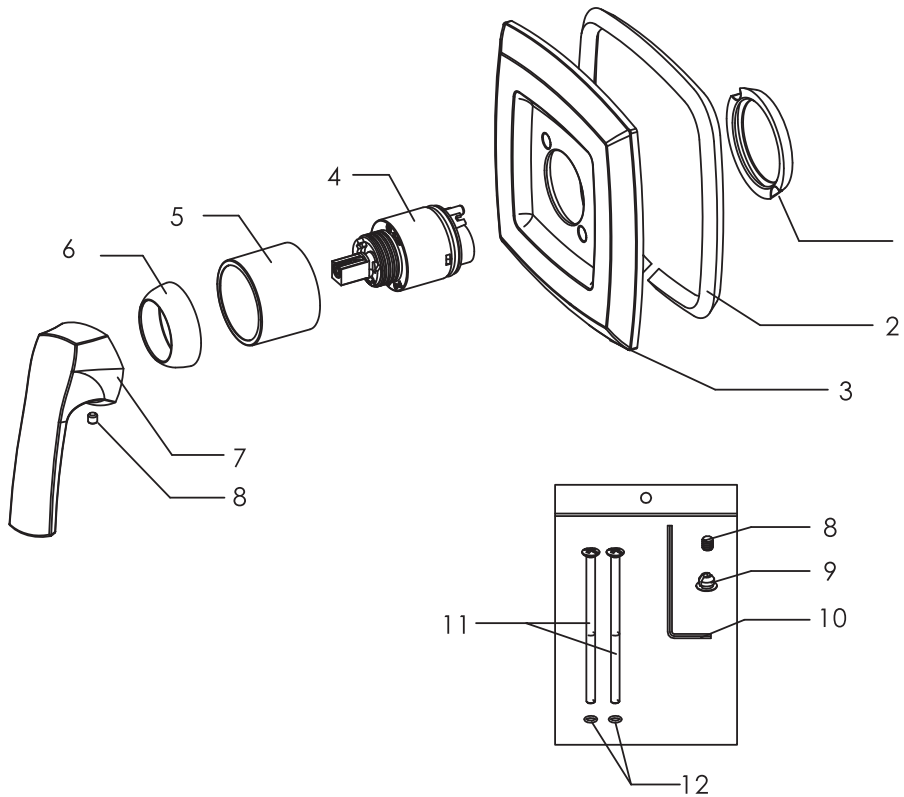
Model No. :

192-6972 (Polished Chrome)

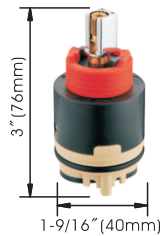
192-6973 (Brushed Nickel Spotless PVD)

192-7273 (Matte Black)

192-7274 (Matte Gold)



Cartridge (Type F)
Model : 892-6159



No.	Part Name	Material
1	Sealing Ring	Rubber
2	Escutcheon Gasket	Sponge
3	Escutcheon	Stainless Steel
4	Cartridge	Ceramic
5	Cartridge Sleeve	Brass
6	Trim Cap	Brass
7	Handle	Zinc
8	Set Screw	Stainless Steel
9	Index (Hot/Cold)	Plastic
10	Allen Wrench	Steel
11	Escutcheon Screws	Stainless Steel
12	O-Rings	Rubber

Technical Support: warranty@cmiproduct.com
Hour of Operation: Mon - Fri 8:30 a.m - 5:00 p.m. EST