

Cardania - Single Handle Pressure Balanced Tub & Shower Set

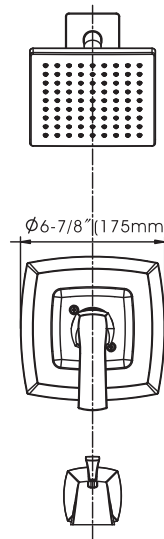
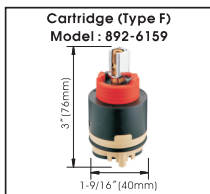
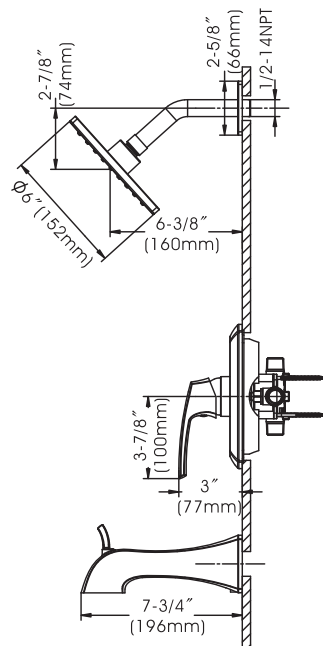


- * Pressure Balanced Valve with Integral Stops & Ceramic Disc Cartridge (Type F)
- * Solid Brass Waterway Construction with 1/2" - 14NPT Connection
- * 7-3/4" Zinc Die Cast Diverter Tub Spout
- * 6" Single Function Plastic Showerhead with Stainless Steel Shower Arm and Escutcheon
- * Shower Head Flow Rate: 1.5GPM (5.7L/MIN) MAX @ 80PSI
- * Tub Spout Flow Rate: 6.5GPM (24.7L/MIN) MAX @ 80PSI
- * 100% Pressure System Tested
- * Contractor Pack Available
- * Lifetime Limited Warranty; 5 year warranty from date of purchase for Commercial use

Project / Job Name	
Architect / Engineer	
Contractor	
Model	
Quantity	

Model No. :

192-6419 (CH)
 192-6420 (BN SpotlessPVD)
 192-6421 (ORB)
 192-7231 (MG)
 192-7232 (MB) (Shown Model)

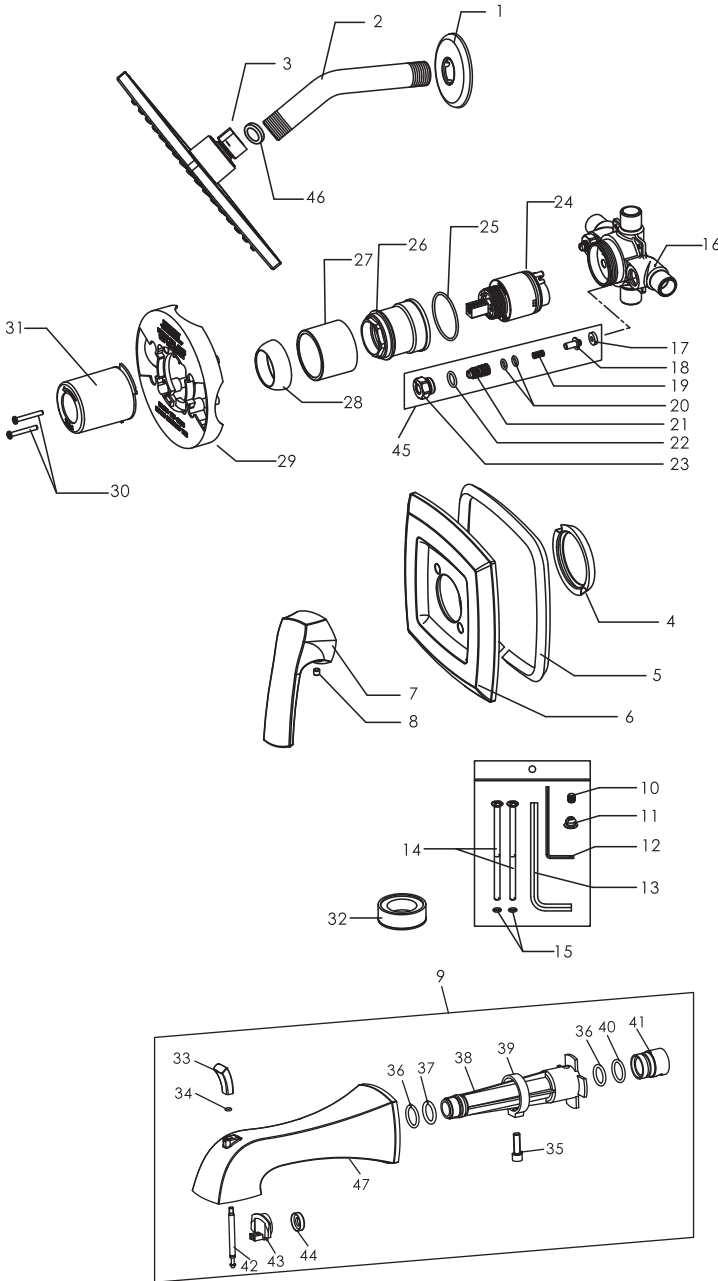


Shower Head Function :



- Product Compliance:**
- ASME A112.18.1 / CSA B125.1
 - ANSI A117.1 (ADA)
 - ASSE 1016

Cardania - Single Handle Pressure Balanced Tub & Shower Set



Model No. :

192-6419 (Polished Chrome)

192-6420 (Brushed Nickel **Spotless PVD**)

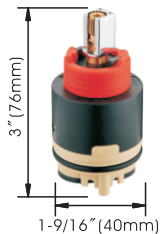
192-6421 (Oil-Rubbed Bronze)

192-7231 (Matte Gold)

192-7232 (Matte Black)

No.	Part Name	Material
1	Shower Arm Flange	Stainless Steel
2	Shower Arm	Stainless Steel
3	Shower Head	Plastic
4	Sealing Ring	Rubber
5	Escutcheon Gasket	Sponge
6	Escutcheon	Stainless Steel
7	Handle	Zinc
8	Index	Stainless Steel
9	Tub Spout Assembly	Zinc+Rubber+Plastic+Brass+Stainless Steel
10	Set Screw	Stainless Steel
11	Index (Hot/Cold)	Plastic
12	Small Allen Wrench	Steel
13	Large Allen Wrench	Steel
14	Escutcheon Screws	Stainless Steel
15	O-Rings	Rubber
16	Valve Body	Brass
17	Sealing Washer	Rubber
18	Stopper	Brass
19	Spring	Stainless Steel
20	O-rings	Rubber
21	Adjuster	Brass
22	O-ring	Rubber
23	Adjuster Seat	Brass
24	Cartridge	Ceramic
25	O-ring	Rubber
26	Cartridge Lock nut	Stainless Steel
27	Cartridge Sleeve	Brass
28	Trim Cap	Brass
29	Plaster Guard	Plastic
30	Screws	Stainless Steel
31	Protective Sleeve	Plastic
32	Teflon Tape	Plastic
33	Knob	Zinc
34	O-ring	Rubber
35	Screw	Stainless Steel
36	O-ring	Rubber
37	O-ring	Rubber
38	Plastic Core	Plastic
39	Ring	Zinc
40	O-ring	Rubber
41	Core Cover	Plastic
42	Pulling Core	Brass
43	Sealing Plate	Plastic
44	Washer	Rubber
45	Stop Valve	Rubber+Brass+Stainless Steel
46	Washer	Rubber
47	Spout	Zinc

Cartridge (Type F)
Model : 892-6159



Technical Support: warranty@cmiproduct.com
 Hour of Operation: Mon - Fri 8:30 a.m - 5:00 p.m. EST