

# Cardania Series Contractor Single Function Tub and Shower Trim Pack



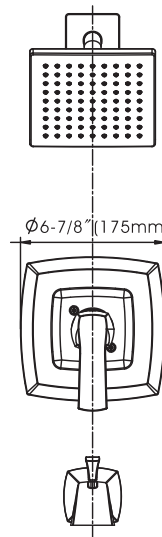
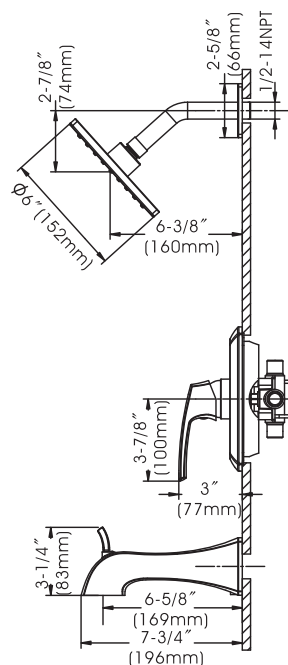
## Model No. : 192-7266

- \* One Piece Pressure Balanced Ceramic Cartridge with Balancing Spool
- \* 6" Single Function Shower Head
- \* Stainless Steel Shower Arm with Flange
- \* Stainless Steel Escutcheon with Screws
- \* Zinc Handle
- \* Matching Finish Trim Sleeve
- \* 7-3/4" Zinc Die Cast Diverter Tub Spout
- \* Shower Head Flow Rate: 1.5 GPM (5.7 L/MIN) MAX @ 80PSI
- \* Tub Spout Flow Rate: 6.5 GPM (24.7 L/MIN) MAX @ 80PSI
- \* 100% Pressure System Tested
- \* Lifetime Limited Warranty; 5 year Warranty from Date of Purchase for Commercial Use

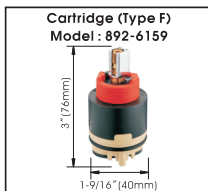
Project / Job Name	
Architect / Engineer	
Contractor	
Model	
Quantity	

## Model No. :

192-6422 (CH)
  192-6423 (BN Spotless PVD)
  192-6424 (ORB)
  192-7265 (MB)
  192-7266 (MG) (Shown Model)



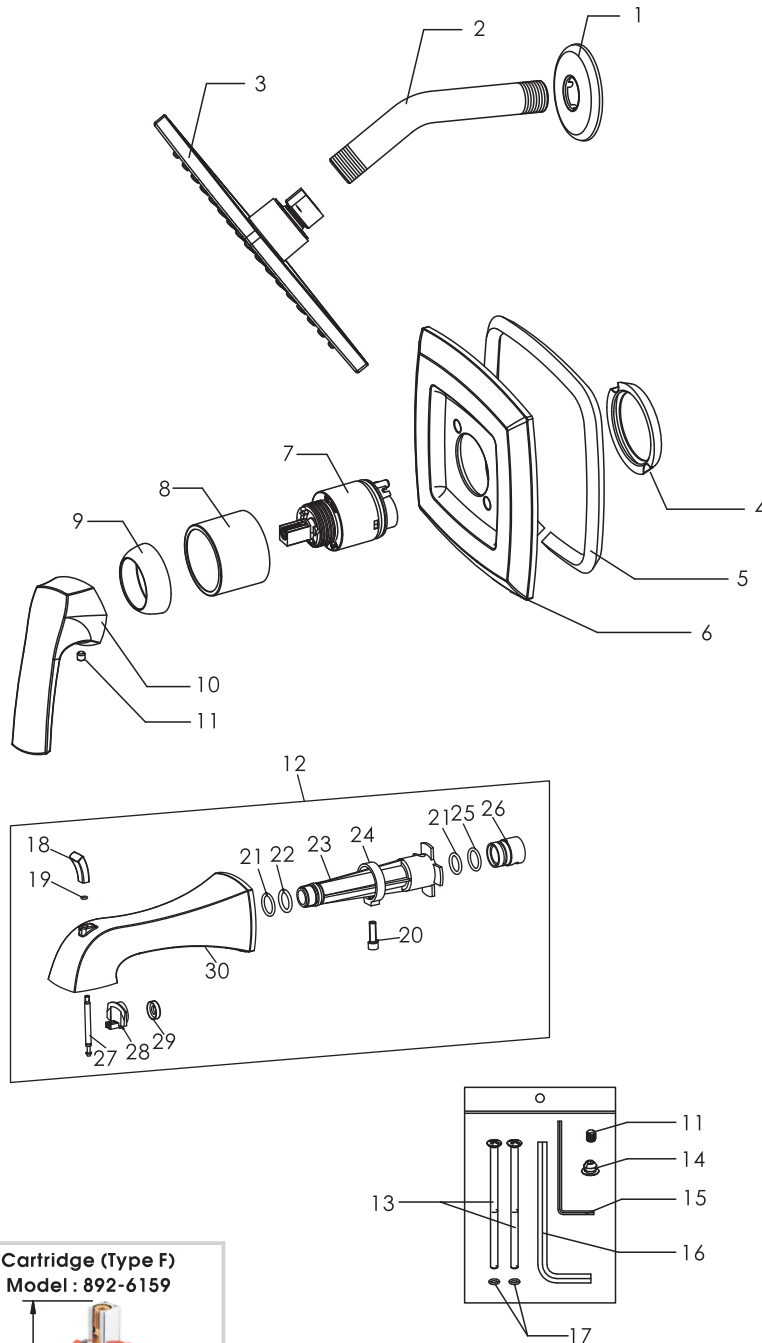
## Shower Head Function :



## Product Compliance:

- ASME A112.18.1 / CSA B125.1
- ANSI A117.1 (ADA)
- ASSE 1016

# Cardania Series Contractor Single Function Tub and Shower Trim Pack



## Model No. :

- 192-6422 (Polished Chrome)
- 192-6423 (Brushed Nickel Spotless PVD)
- 192-6424 (Oil-Rubbed Bronze)
- 192-7265 (Matte Black)
- 192-7266 (Matte Gold)

No.	Part Name	Material
1	Shower Arm Flange	Stainless Steel
2	Shower Arm	Stainless Steel
3	Shower Head	Plastic
4	Sealing Ring	Rubber
5	Gasket	Sponge
6	Escutcheon	Stainless Steel
7	Cartridge	Ceramic
8	Cartridge Sleeve	Brass
9	Trim Cap	Brass
10	Handle	Zinc
11	Set Screw	Stainless Steel
12	Tub Spout Assembly	Zinc+Rubber+Plastic+Brass+Stainless Steel
13	Screws	Stainless Steel
14	Index (Hot/Cold)	Plastic
15	Small Allen Wrench	Steel
16	Large Allen Wrench	Steel
17	O-rings	Rubber
18	Knob	Zinc
19	O-ring	Rubber
20	Screw	Stainless Steel
21	O-rings	Rubber
22	O-ring	Rubber
23	Plastic Core	Plastic
24	Ring	Zinc
25	O-ring	Rubber
26	Core Cover	Plastic
27	Pulling Core	Brass
28	Sealing Plate	Plastic
29	Washer	Rubber
30	Spout	Zinc

Technical Support: [warranty@cmiproduct.com](mailto:warranty@cmiproduct.com)  
 Hour of Operation: Mon - Fri 8:30 a.m - 5:00 p.m. EST

**Cartridge (Type F)**  
**Model : 892-6159**

