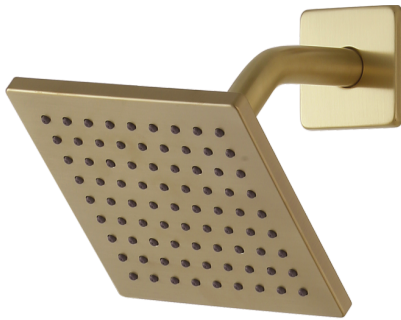


# Cardania Series Contractor Single Function Shower Only Trim Pack



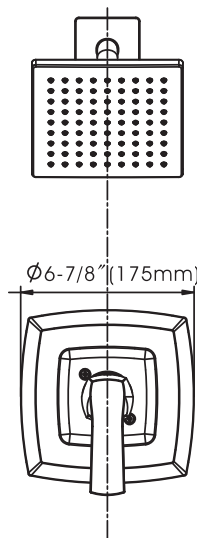
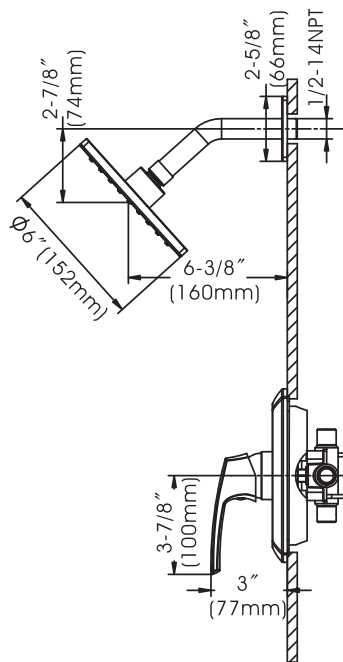
## Model No. : 192-7268

- \* One Piece Pressure Balanced Ceramic Cartridge with Balancing Spool
- \* 6" Single Function Shower Head
- \* Stainless Steel Shower Arm with Flange
- \* Stainless Steel Escutcheon with Screws
- \* Zinc Handle
- \* Matching Finish Trim Sleeve
- \* Flow Rate: 1.5 GPM (5.7 L/MIN) MAX @ 80PSI
- \* 100% Pressure System Tested
- \* Lifetime Limited Warranty; 5 year Warranty from Date of Purchase for Commercial Use

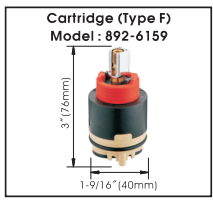
|                      |  |
|----------------------|--|
| Project / Job Name   |  |
| Architect / Engineer |  |
| Contractor           |  |
| Model                |  |
| Quantity             |  |

### Model No. :

- 192-6425 (CH)
  192-6426 (BN *Spotless PVD*)
  192-6427 (ORB)
  192-7267 (MB)
  192-7268 (MG) **(Shown Model)**



### Shower Head Function :

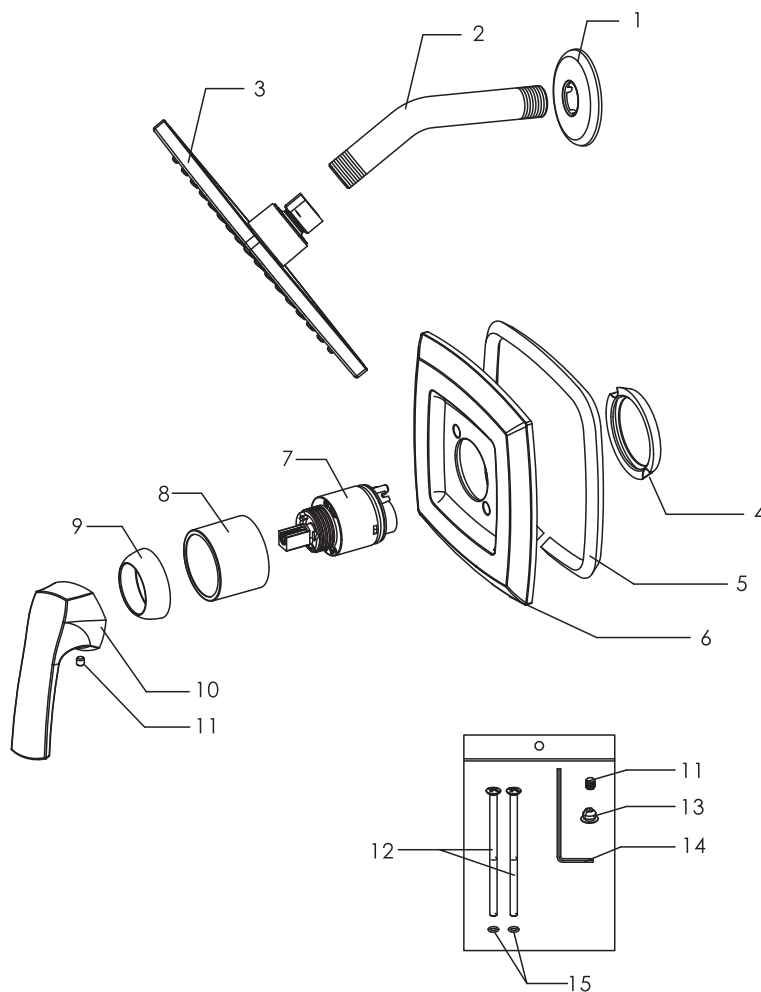


- Product Compliance:**
- ASME A112.18.1 / CSA B125.1
  - ANSI A117.1 (ADA)
  - ASSE 1016

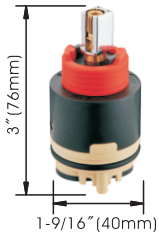
## Cardania Series Contractor Single Function Shower Only Trim Pack

### Model No. :

- 192-6425 (Polished Chrome)
- 192-6426 (Brushed Nickel Spotless PVD)
- 192-6427 (Oil-Rubbed Bronze)
- 192-7267 (Matte Black)
- 192-7268 (Matte Gold)



**Cartridge (Type F)**  
Model : 892-6159



| No. | Part Name         | Material        |
|-----|-------------------|-----------------|
| 1   | Shower Arm Flange | Stainless Steel |
| 2   | Shower Arm        | Stainless Steel |
| 3   | Shower Head       | Plastic         |
| 4   | Sealing Ring      | Rubber          |
| 5   | Gasket            | Sponge          |
| 6   | Escutcheon        | Stainless Steel |
| 7   | Cartridge         | Ceramic         |
| 8   | Cartridge Sleeve  | Brass           |
| 9   | Trim Cap          | Brass           |
| 10  | Handle            | Zinc            |
| 11  | Set Screw         | Stainless Steel |
| 12  | Screws            | Stainless Steel |
| 13  | Index (Hot/Cold)  | Plastic         |
| 14  | Allen Wrench      | Steel           |
| 15  | O-Rings           | Rubber          |

Technical Support: [warranty@cmiproduct.com](mailto:warranty@cmiproduct.com)  
Hour of Operation: Mon - Fri 8:30 a.m. - 5:00 p.m. EST