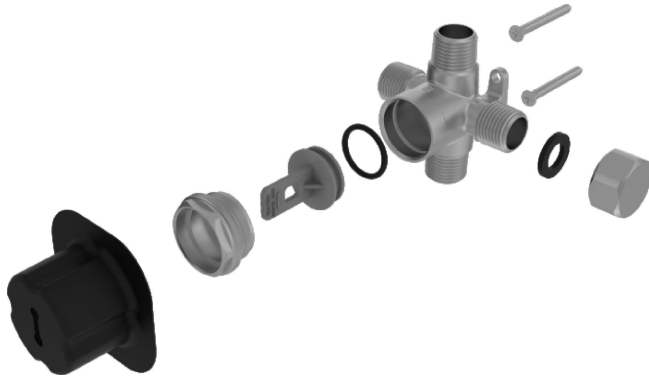
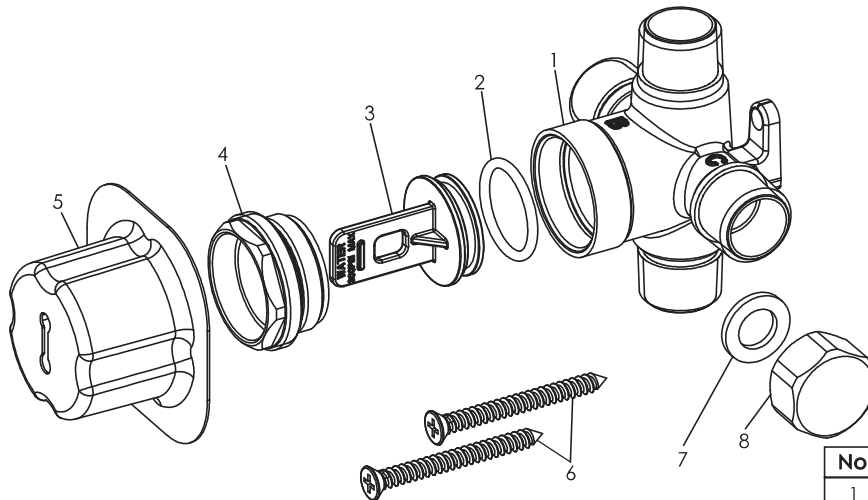


## Diverter Valve Pack



### • Model No. : 192-7891

- \* Brass Valve Body Only
- \* Integral Stops
- \* 1/2" Universal outlets (Sweat) with Male NPT threads
- \* Includes brass plug for Shower only
- \* Includes pressure test kit
- \* Lifetime Limited Warranty; 5 year Warranty from Date of Purchase for Commercial Use



No.	Part Name	Material
1	Body	Brass
2	O-ring	Rubber
3	Test Plug	Plastic
4	Lock Nut	Brass
5	Protective Sleeve	Plastic
6	Set Screws	Stainless Steel
7	Washer	Paper
8	End Cap	Brass

**Product Compliance:**

- ASME A112.18.1 / CSA B125.1
- ASSE 1016