



Two Handle High Arc Kitchen Faucet with Side Spray



- 8" Center-set, 4 Hole Installation
- 9" High And 8" Long Stainless Steel Spout
- 3-13/16" High Zinc Handle and Stainless Steel Deck Plate
- Brass Waterway Construction with 1/2"-14 NPSM Connection
- Matching Finish Side Spray with 49" Quick Connect Hose
- 1/4 Turn Premium Grade Ceramic Cartridge (Type I SKU #892-6162-Hot/892-6163-Cold)
- Flow Rate: 1.8GPM (6.8/MIN) MAX @ 60PSI
- 100% Pressure System Tested
- Lifetime Limited Warranty; 5 year Warranty from date of purchase for Commercial use

Majestic Series



191-7703 (CH)



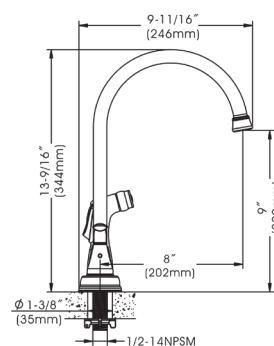
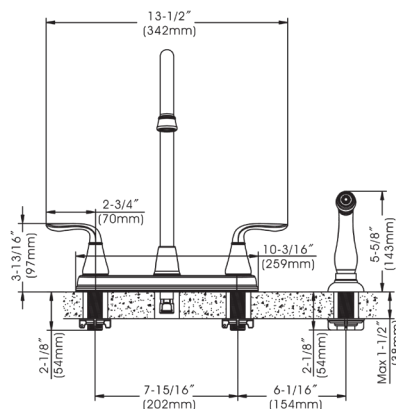
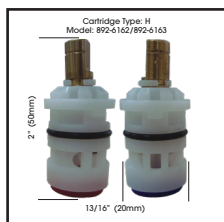
191-7704 (BN) *Spotless PVD*



191-7705 (ORB)



192-8063 (MB)
Shown Model



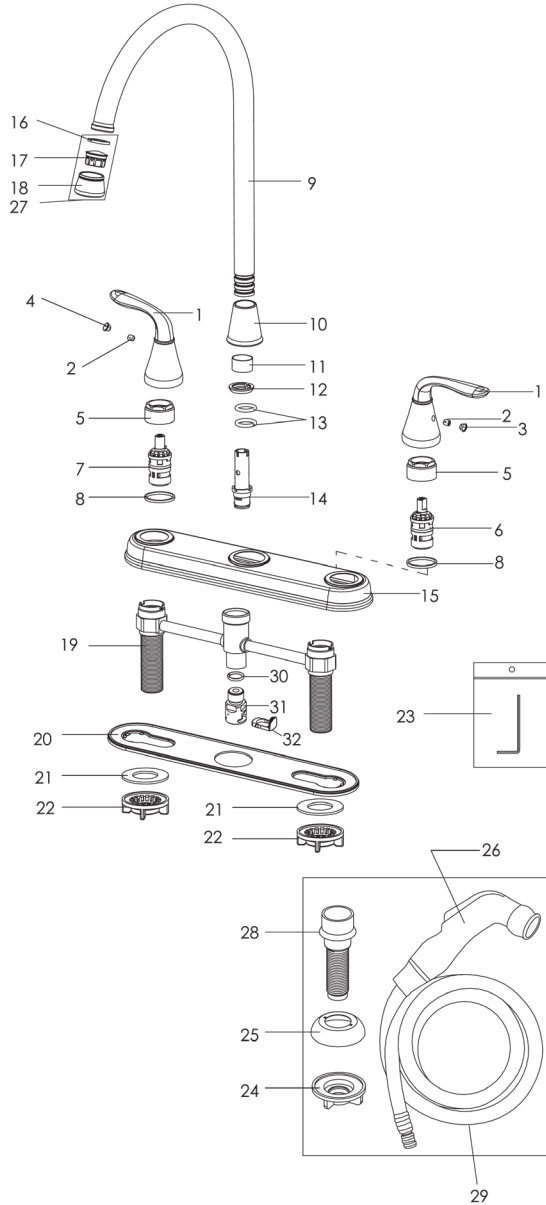
Product Compliance:

- ASME A112.18.1/CSA B125.1
- NSF 61 - Section 9
- NSF 372 (Low Lead Content)
- ANSI A177.1 (ADA)

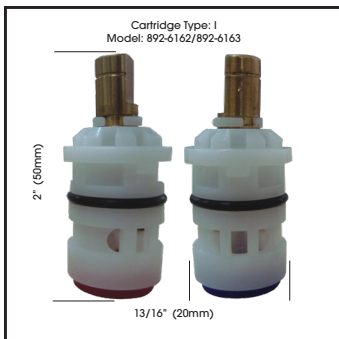
Compass Manufacturing International LLC

Revised 06/26/23

Single Handle High Arc Pull-Down Kitchen Faucet



No.	Part Name	Material
1	Handle	Zinc
2	Set Screw	Stainless Steel
3	Index (Blue)	Plastic
4	Index (Red)	Plastic
5	Cartridge Lock Nut	Zinc
6	Cartridge (Cold)	Ceramic
7	Cartridge (Hot)	Ceramic
8	Plastic Washer	Plastic
9	Spout	Stainless Steel
10	Spout Base	Zinc
11	Protective Sleeve	Plastic
12	Wearing Ring	Plastic
13	O-rings	Rubber
14	Diverter	Plastic + Brass
15	Deck Plate	Stainless Steel
16	Washer	Rubber
17	Aerator Core	Plastic
18	Aerator Collar	Brass
19	Brazed Underbody	Brass
20	Gasket	Plastic
21	Washer	Rubber
22	Lock Nut	Plastic
23	Allen Wrench	Steel
24	Lock Nut	Plastic
25	Side Spray Base	Stainless Steel
26	Side Spray	Plastic
27	Aerator Assembly	Rubber + Plastic + Brass
28	Spray Holder	Plastic
29	Hose	Plastic + Brass
30	O-ring	Rubber
31	Quick Connect Assembly	Plastic
32	Quick Connect Ring	Plastic



Model No.

- 191-7703 Polished Chrome
- 191-7704 Brushed Nickel
- 191-7705 Oil-Rubbed Bronze
- 192-8063 Matte Black

Revised 06/26/23

Technical Support: warranty@cmiproduct.com
Hours of Operation: Mon-Fri 8:00 a.m. - 5:00 p.m. EST