



Two Handle Bar Faucet



- 4" Center-Set, 2 Hole Installation
- 4-3/4" High and 4-9/16" Long 360° Swing Stainless Steel Spout
- 3-3/4" High Zinc Handles
- Brass Waterway Construction with 1/2"-14 NPSM Connections
- 1/4 Turn Premium Grade Ceramic Cartridges (Type I)
- Sleek and Functional Two-Handle Design
- Flow Rate: 1.8GPM @ 60PSI
- 100% Pressure System Tested
- Lifetime Limited Warranty: 5 year warranty from date of purchase for Commercial users

Majestic Series



192-5892 (CH)



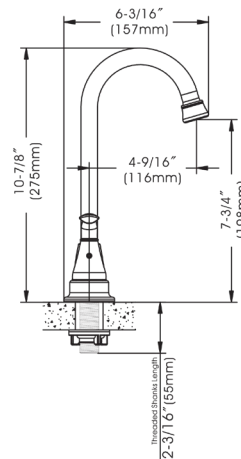
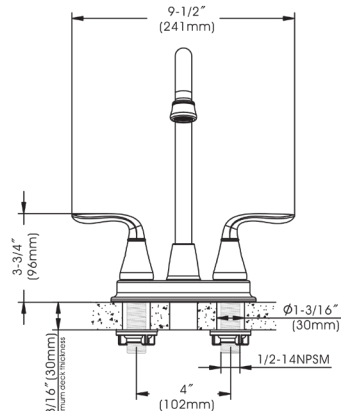
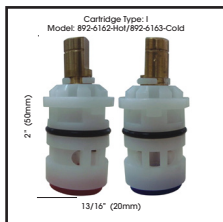
192-5893 (BN) *Spotless PVD*



192-5894 (ORB)



192-8061 (MB)
Shown Model



Product Compliance:

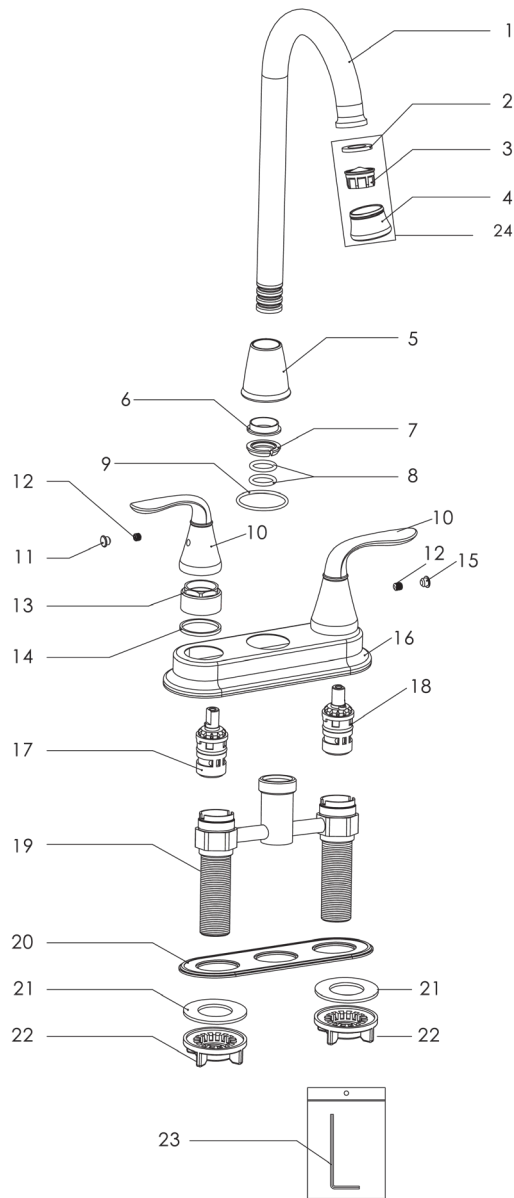
- ASME A112.18.1/CSA B125.1
- NSF 61 - Section 9
- NSF 372 (Low Lead Content)
- ANSI A177.1 (ADA)

Compass Manufacturing International LLC

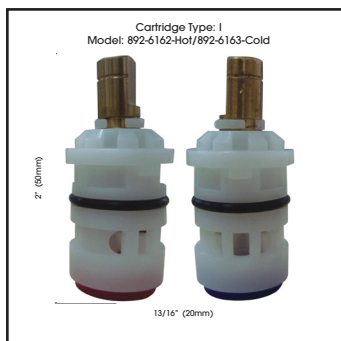
Revised 06/26/23



Two Handle Bar Faucet



No.	Part Name	Material
1	Spout	Stainless Steel
2	Aerator Washer	Rubber
3	Aerator Core	Plastic
4	Aerator Collar	Brass
5	Spout Base	Zinc
6	Protective Sleeve	Plastic
7	Wearing Ring	Plastic
8	O-rings	Rubber
9	O-ring	Rubber
10	Handle	Zinc
11	Index (Red)	Rubber
12	Set Screws	Stainless Steel
13	Cartridge Lock Nut	Zinc
14	Washer	Plastic
15	Index (Blue)	Rubber
16	Deck Plate	Stainless Steel
17	Cartridge (Hot)	Ceramic
18	Cartridge (Cold)	Ceramic
19	O-ring	Rubber
20	Gasket	Plastic
21	Washer	Rubber
22	Lock Nut	Plastic
23	Allen Wrench	Steel
24	Aerator Assembly	Rubber + Plastic + Brass



Model No.

- 192-5892 Polished Chrome
- 192-5893 Brushed Nickel
- 192-5894 Oil-Rubbed Bronze
- 192-8062 Matte Black

Revised 06/26/23

Technical Support: warranty@cmiproduct.com
 Hours of Operation: Mon-Fri 8:00 a.m. - 5:00 p.m. EST